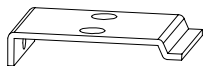


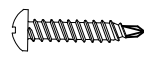
A (x1)



B (x2)



C (x3)



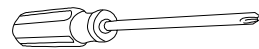
M5x20

D (x6)



M5x10

F (x9)

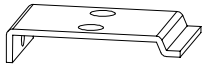


G (x1)



M5

H (x1)



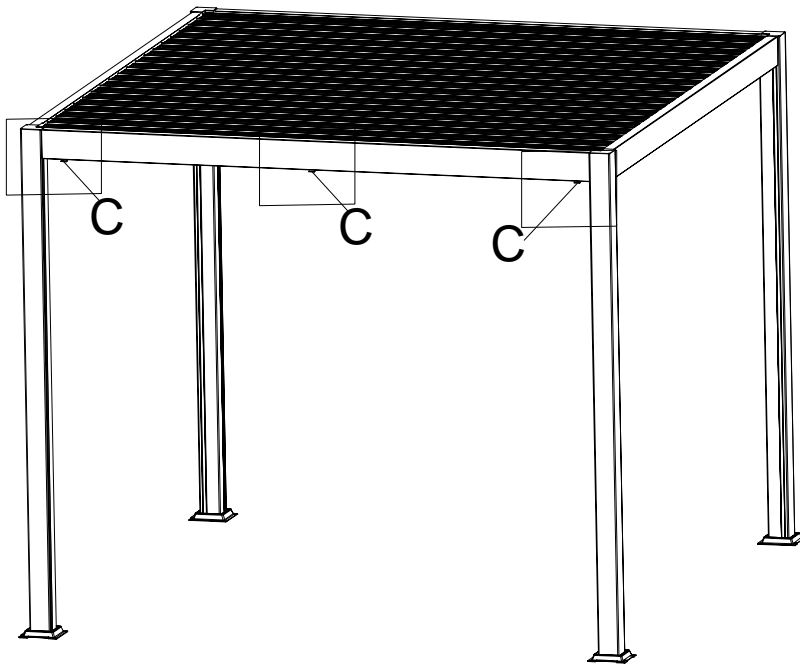
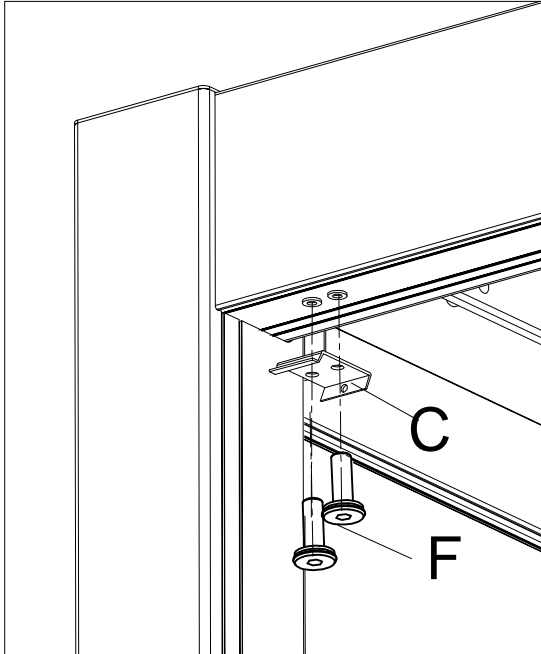
C x3



M5\*10

F x6

# Step1:



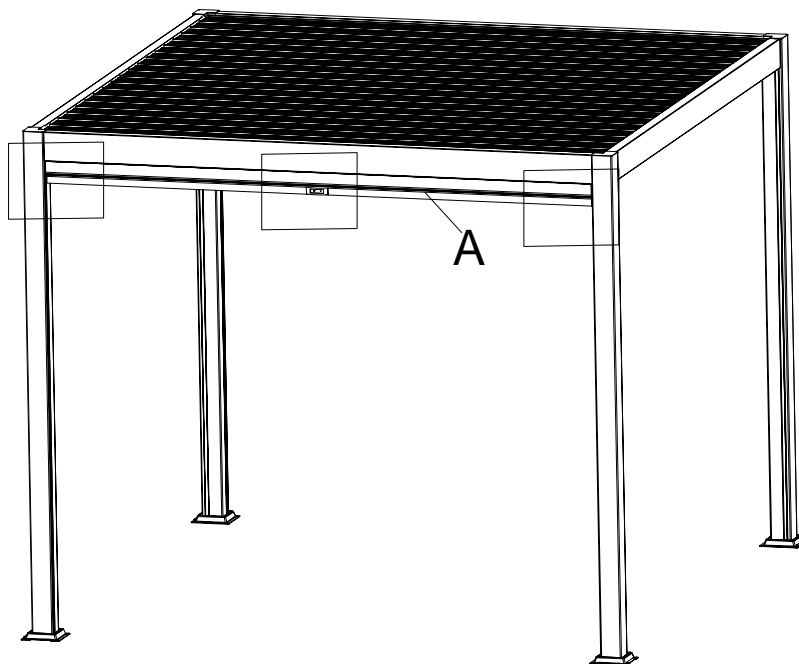
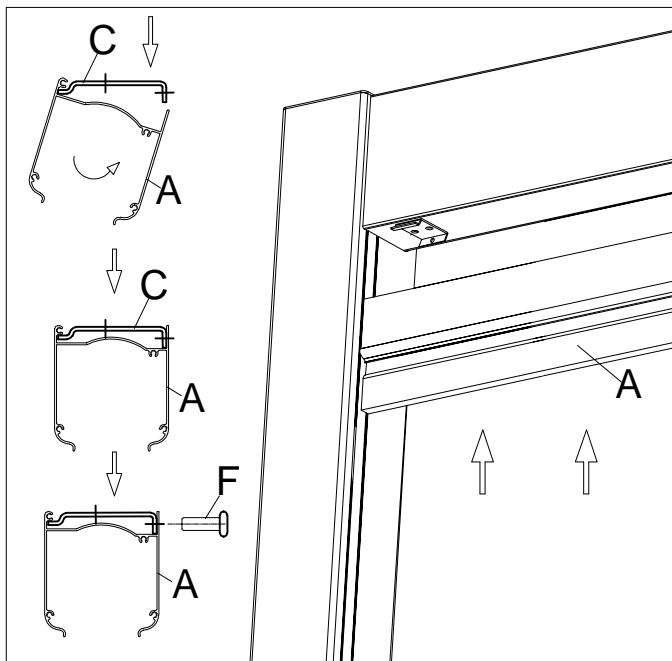
M5x10



F x3

A x1

Step2:

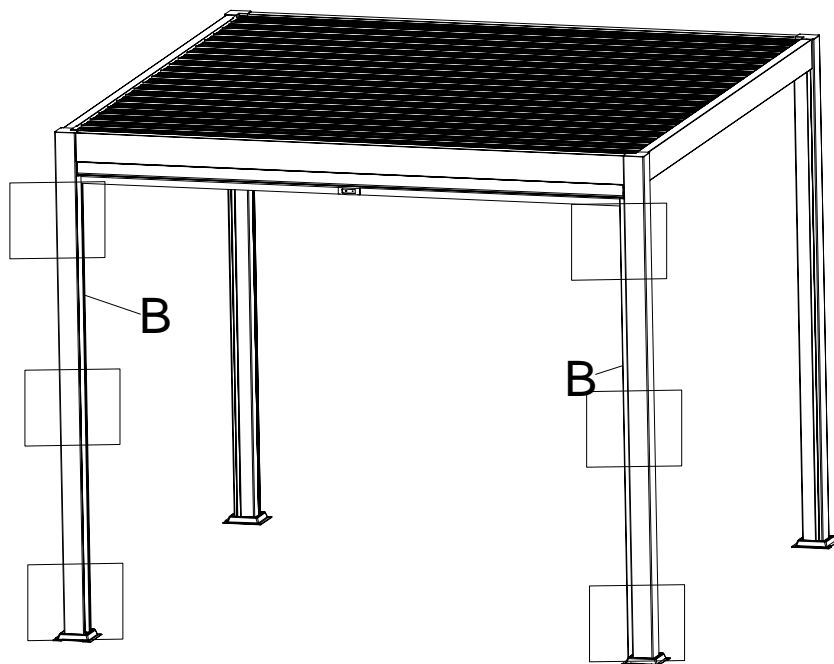
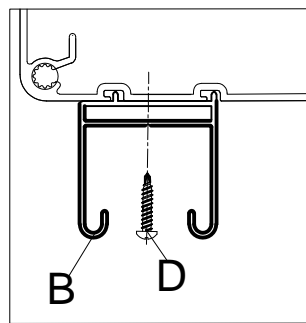
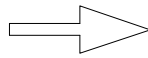
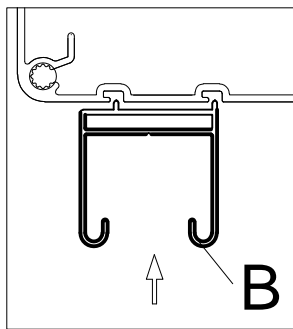
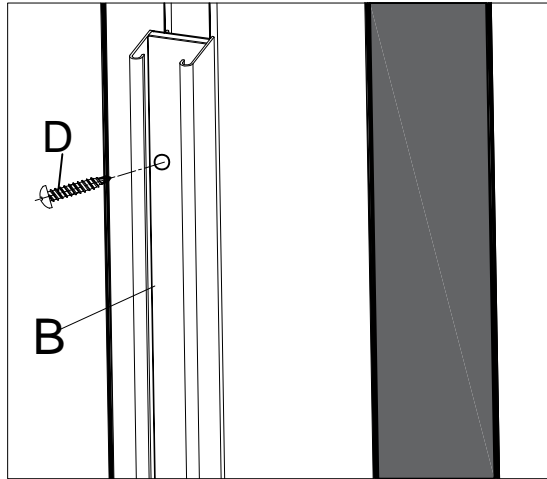




B x2

 D x6

### Step3:



Step4:

