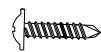


A (x1)



B (x1)



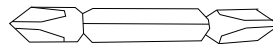
M4x15

C (x4)

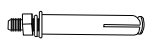


M4x35

D (x2)

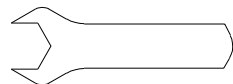


E (x1)



M6x62

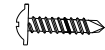
F (x4)



G (x1)

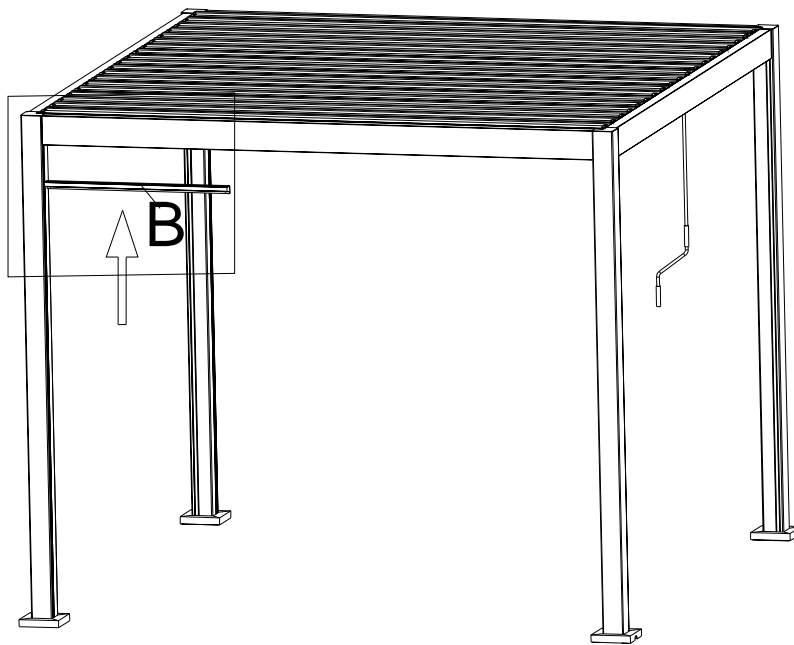
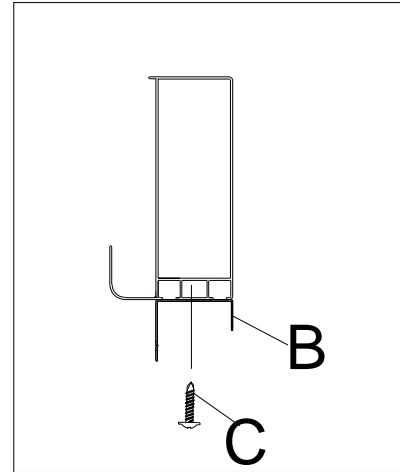
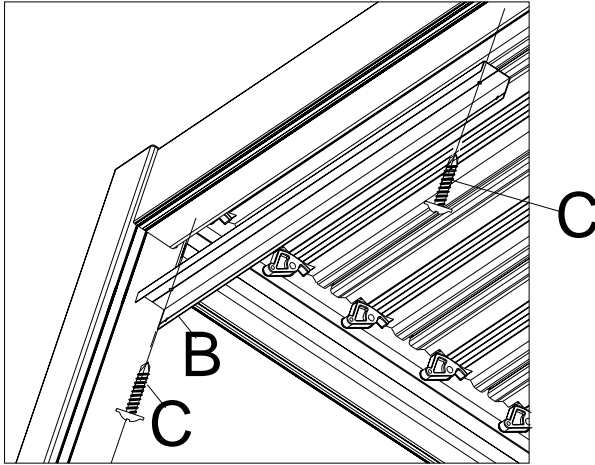


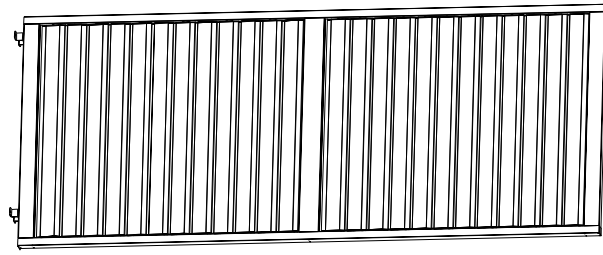
B (x1)



C (x2)

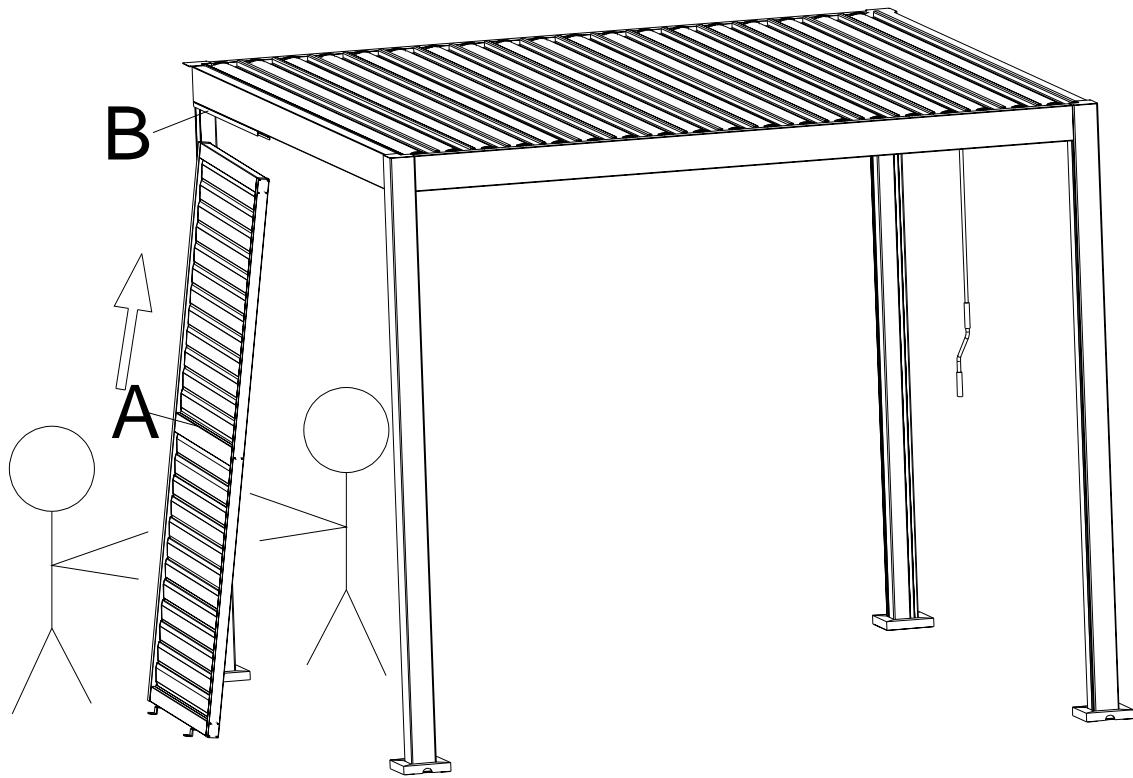
# Step 1:





A (x1)

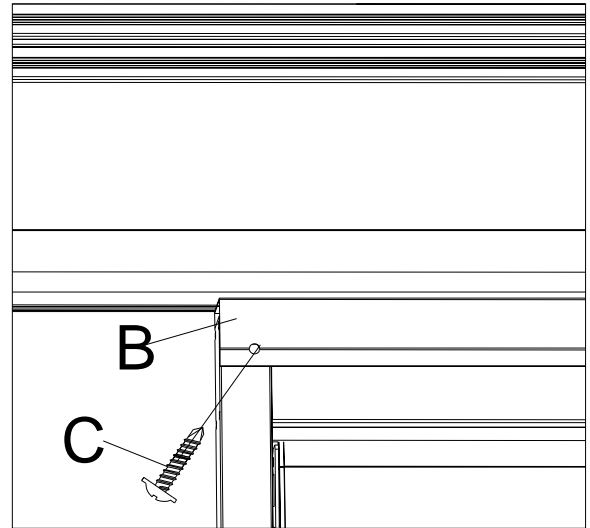
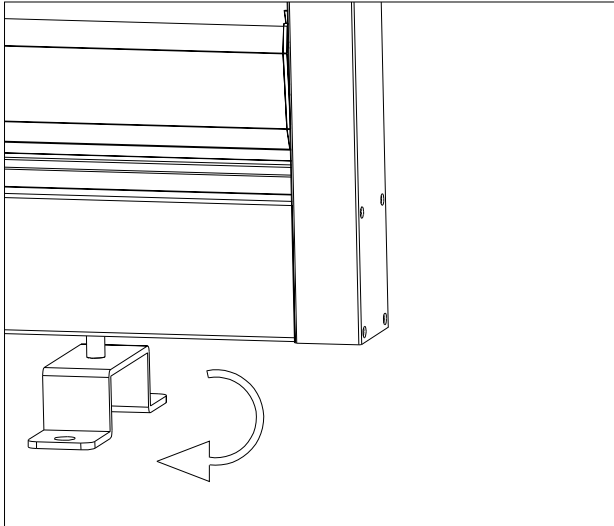
Step2:



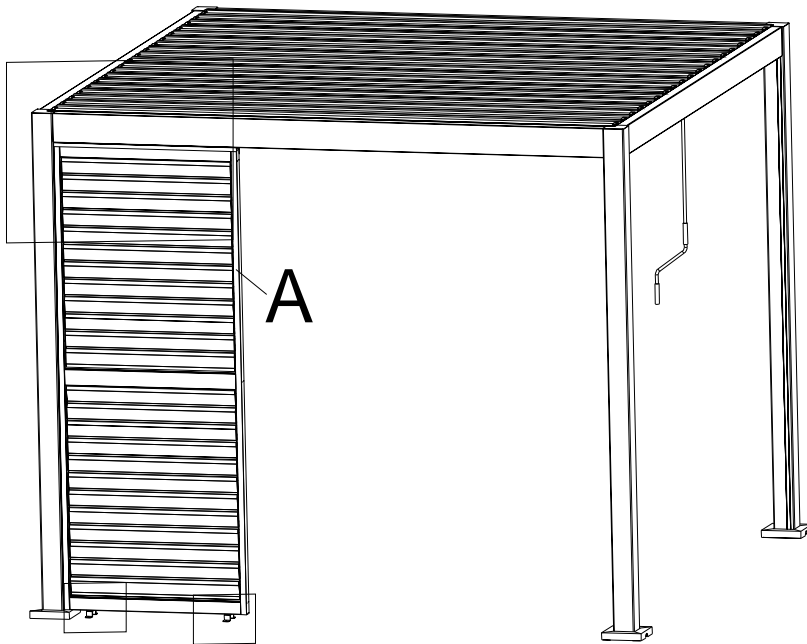


C (x2)

### Step3:



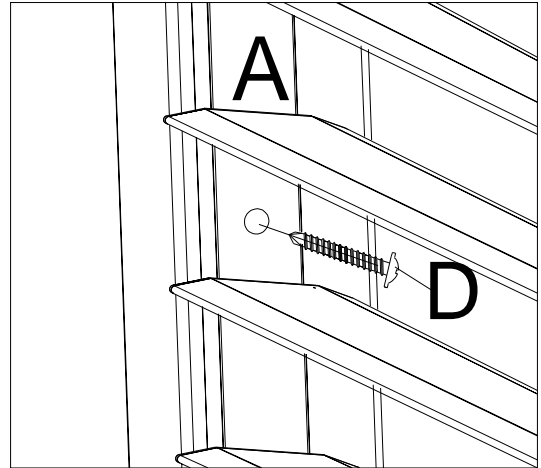
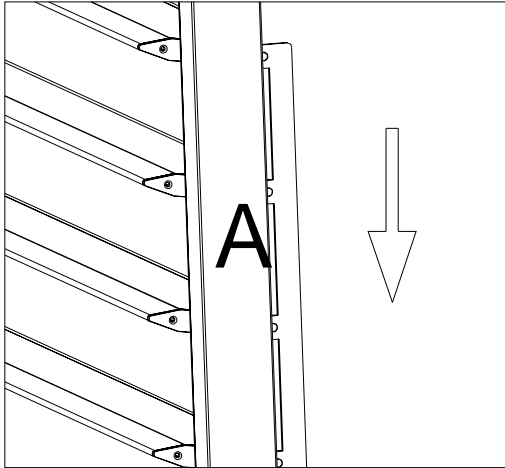
When the ground is uneven, rotate the adjustment knob to make adjustments.



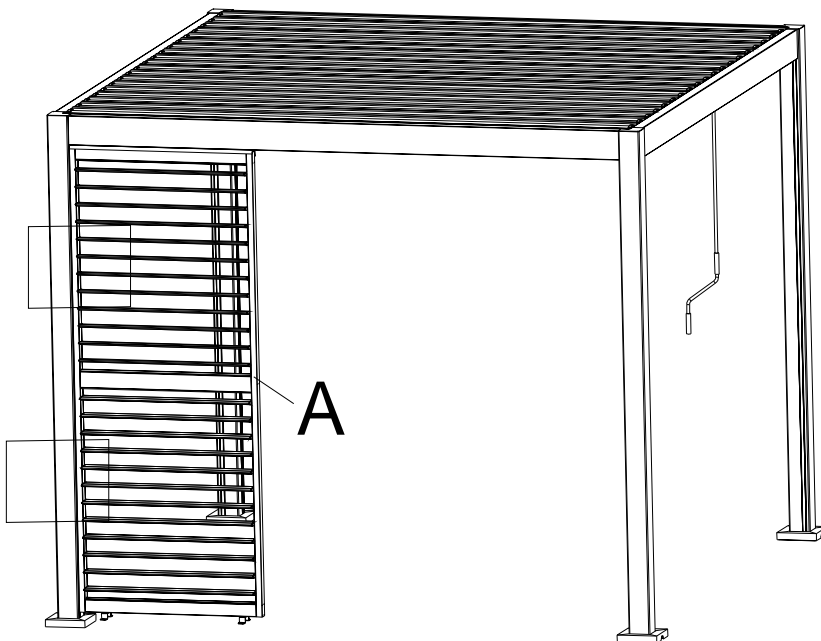


D (x2)

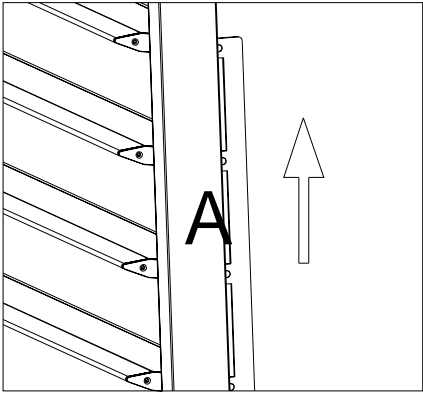
## Step4:



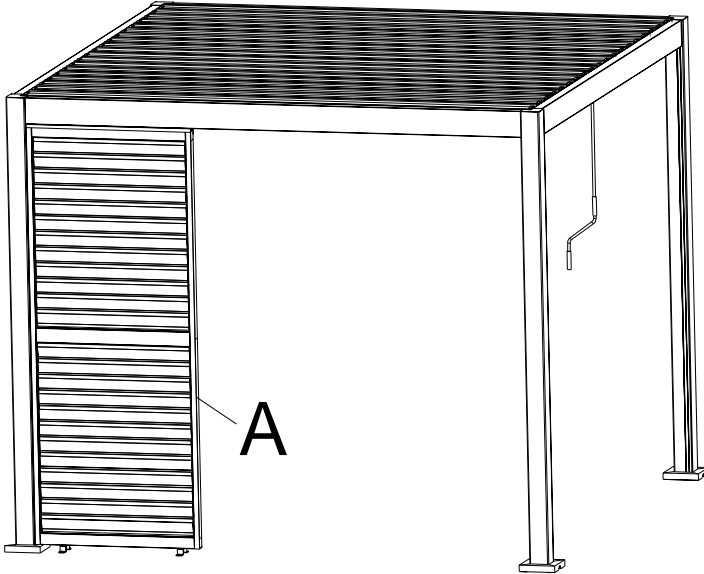
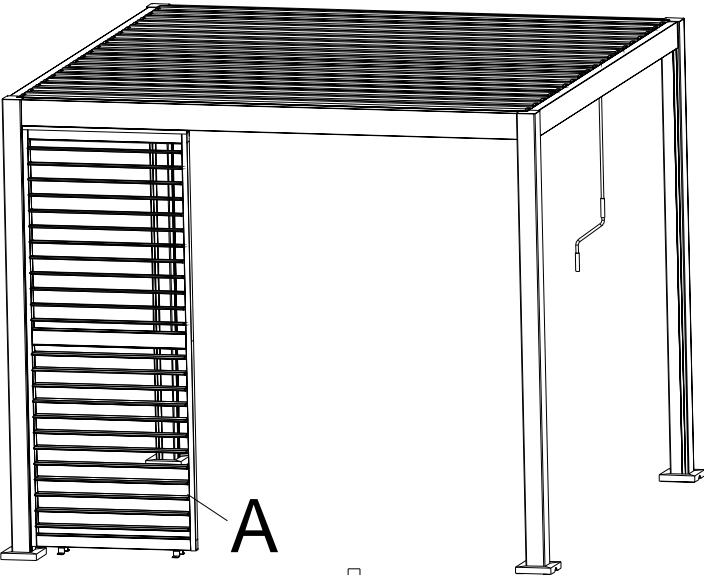
Push down to  
open the blinds

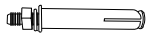


# Step5:



Push up to close the slats

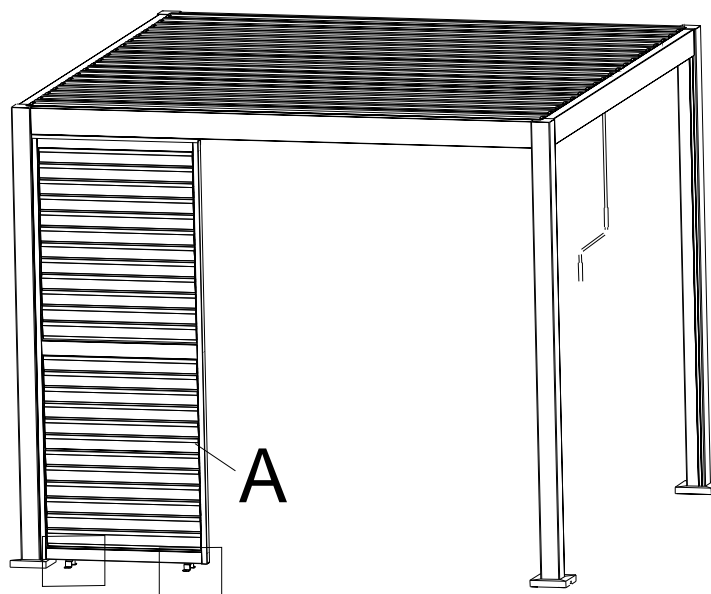
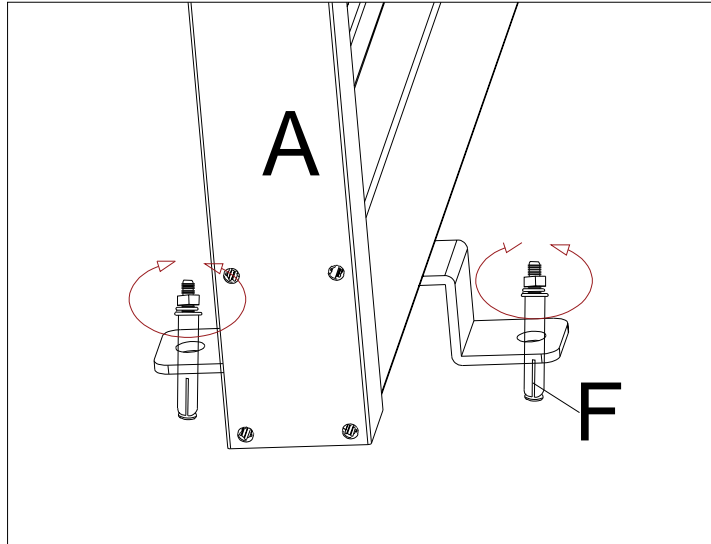




M6x62

F (x4)

## Step 6:



PS:

If needed, please assemble the remaining louvre screens according to the above steps.

