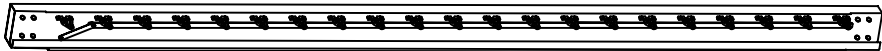
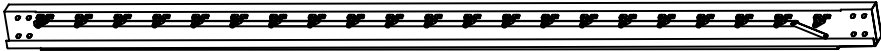
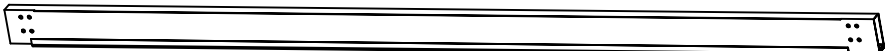
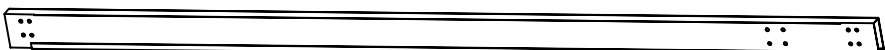




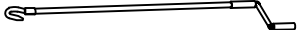

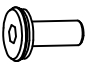
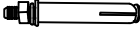
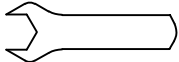

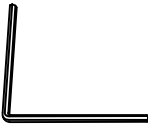


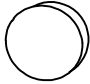
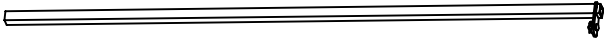

 <p>A (x4)</p>	 <p>B (x1)</p>
	 <p>C (x1)</p>
	 <p>D (x1)</p>
	 <p>E (x1)</p>
	 <p>F (x19)</p>


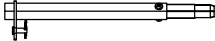
 <p>G (x4)</p>	 <p>H (x4)</p>	 <p>H2 (x4)</p>	 <p>I (x1)</p>
---	---	---	---

 <p>M4.2x25 J (x28) +2</p>	 <p>M6x17 K (x54) +5</p>	 <p>M6x62 L (x16)</p>	 <p>O (x1)</p>
---	---	--	---

 <p>M6 P2 (x2)</p>	 <p>M8 Q (x1)</p>
---	--

 <p>R (x1)</p>	 <p>S (x38)</p>	 <p>T (x24)</p>
---	--	--

 <p>1 (x1)</p>	 <p>2 (x1)</p>
---	---

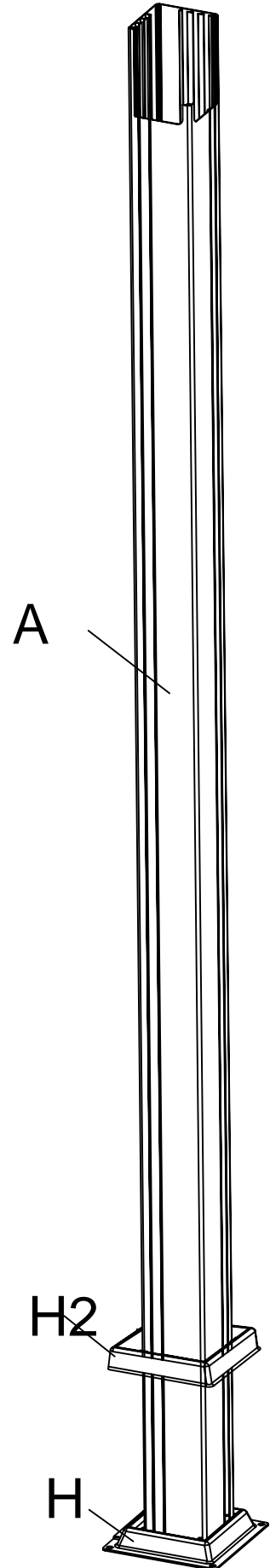
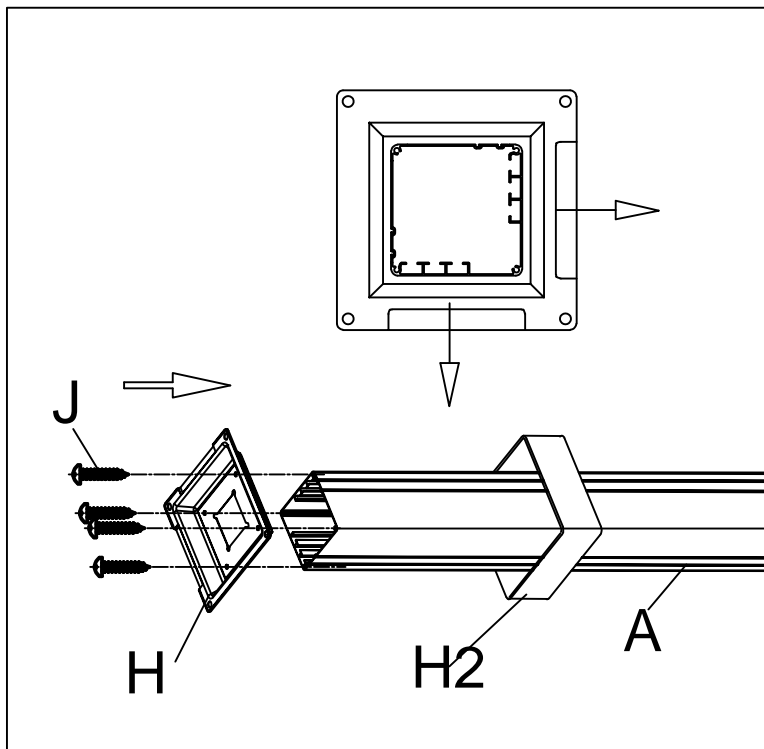
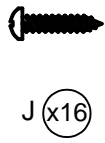
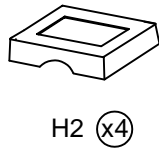
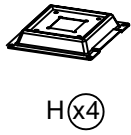
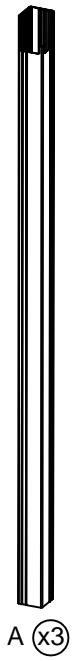
 <p>3 (x2)</p>	 <p>5 (x1)</p>
---	---

--	--	--

--	--	--

--	--	--

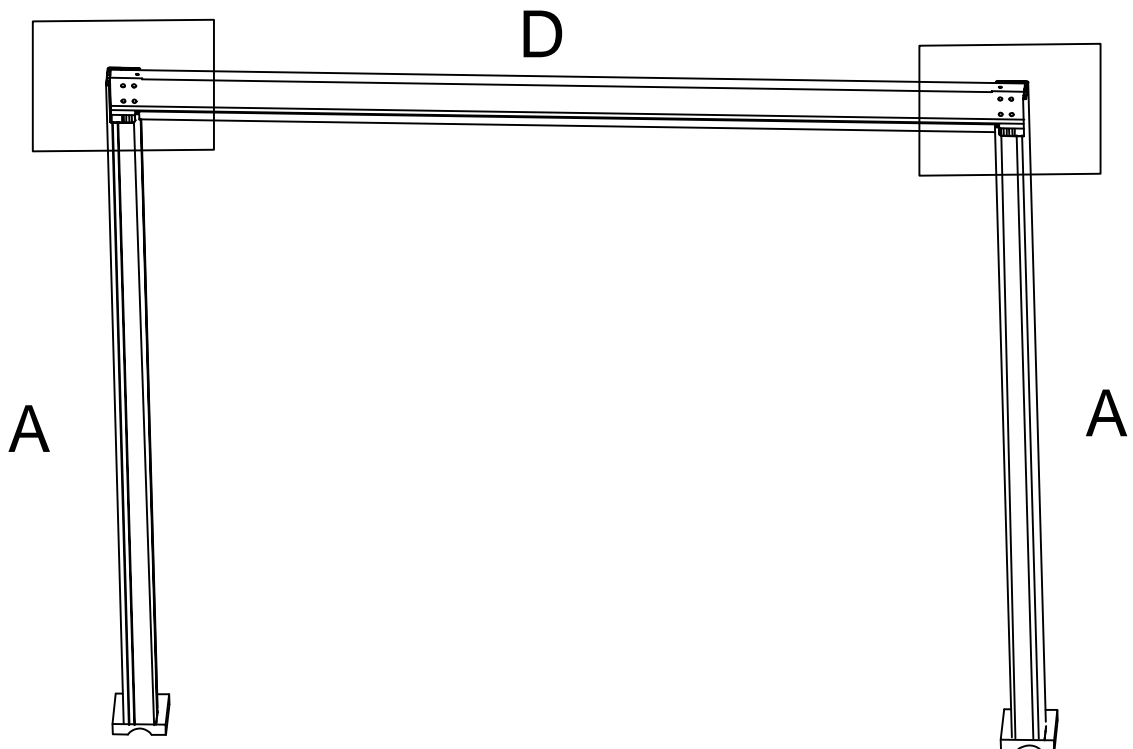
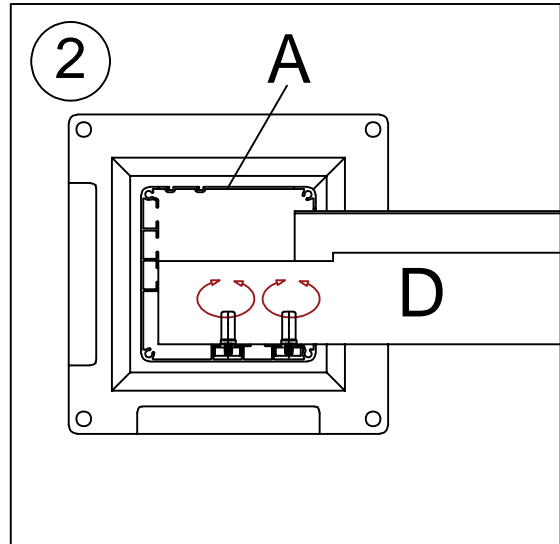
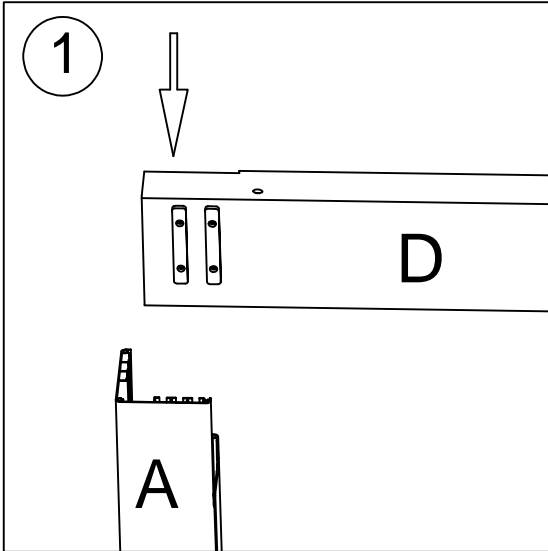
Step 1:





D(x1)

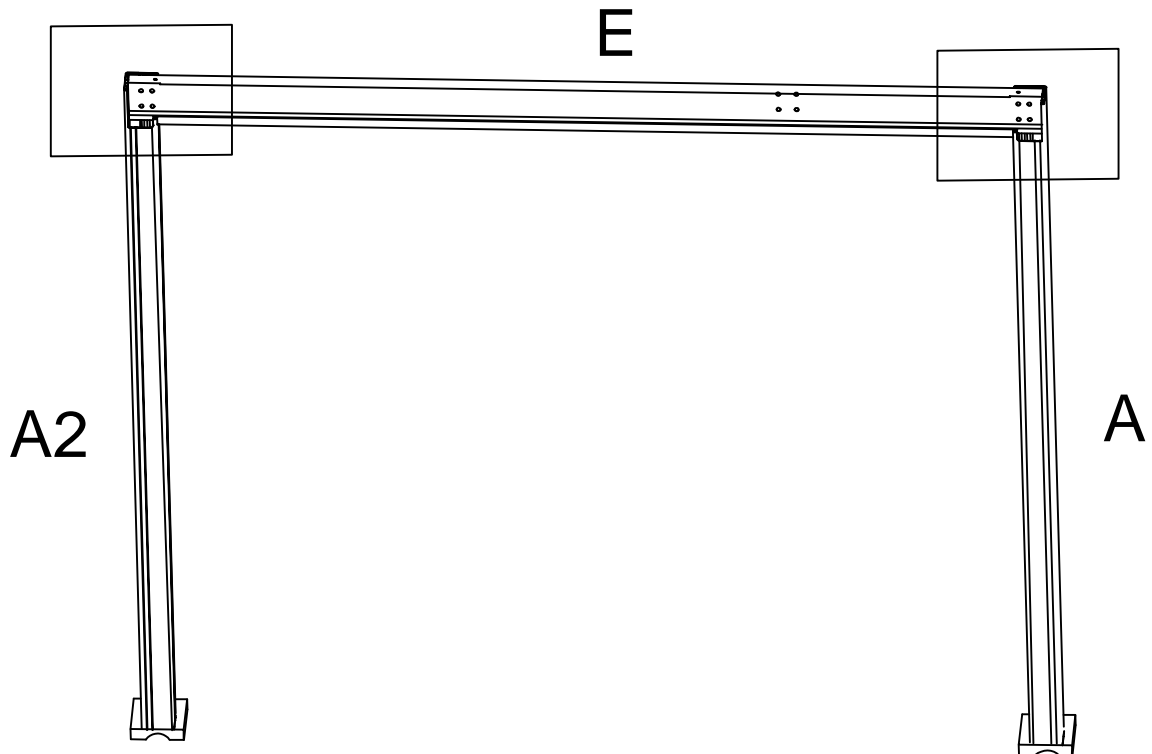
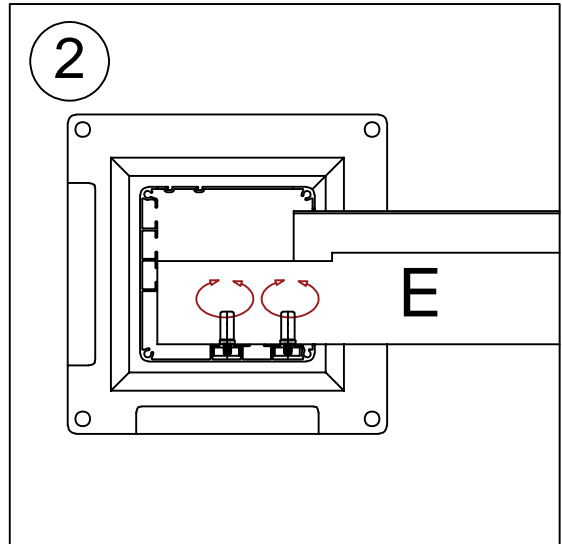
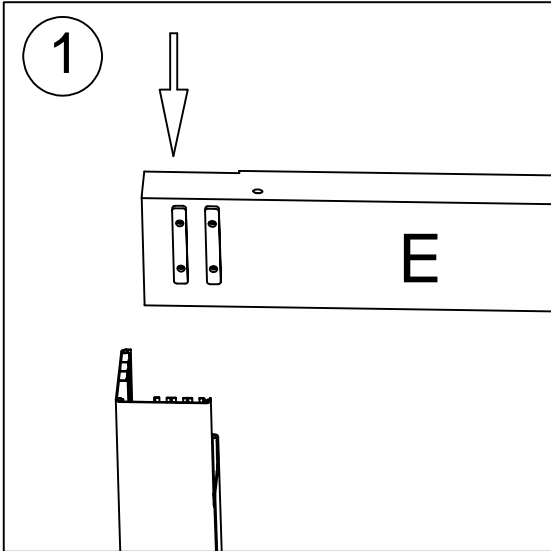
Step2:





E (x1)

Step3:



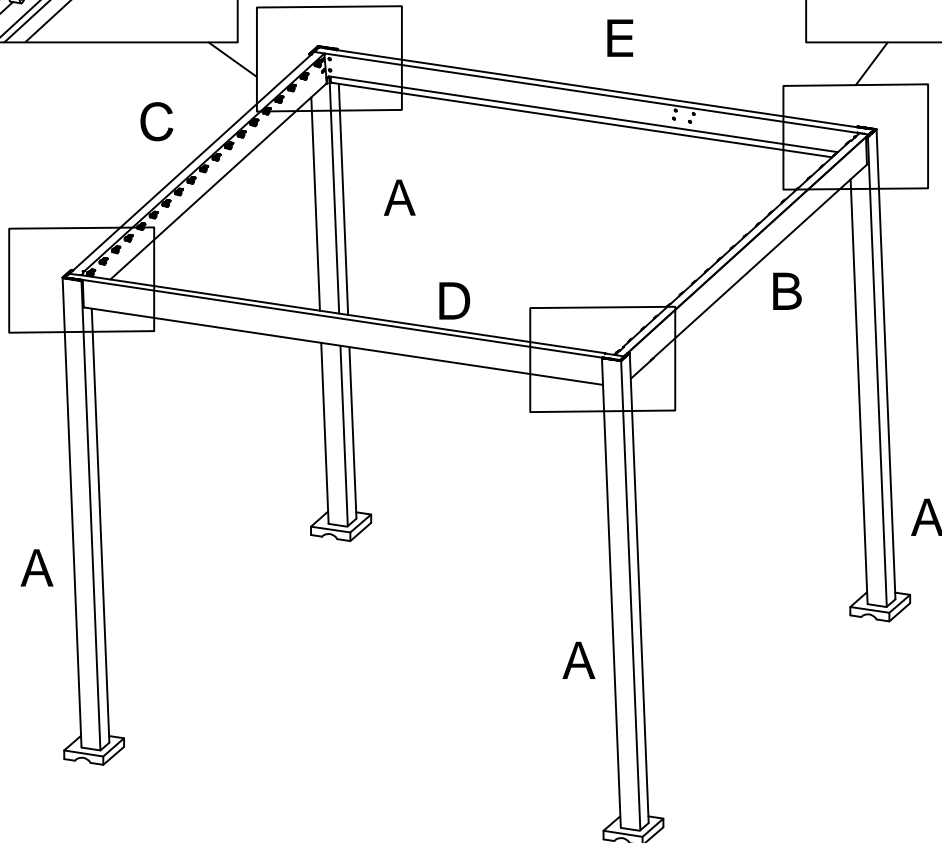
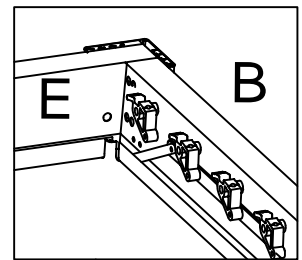
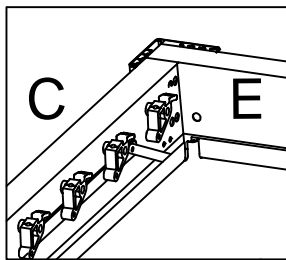
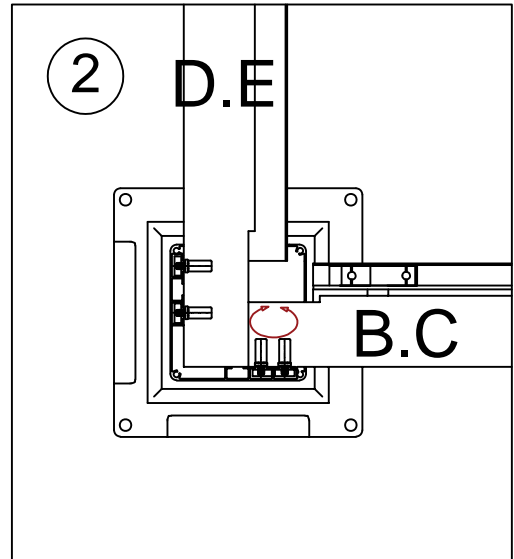
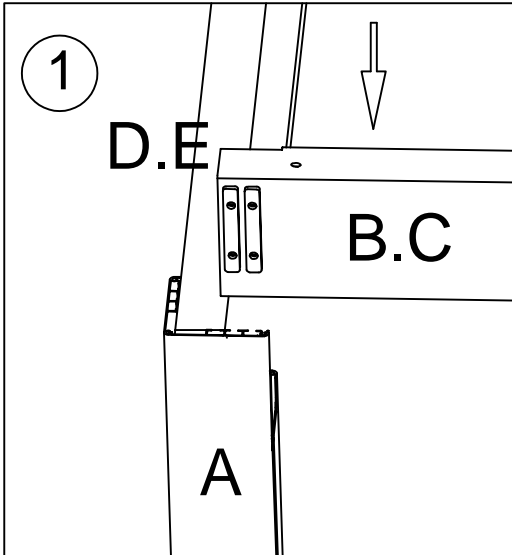


B (x1)



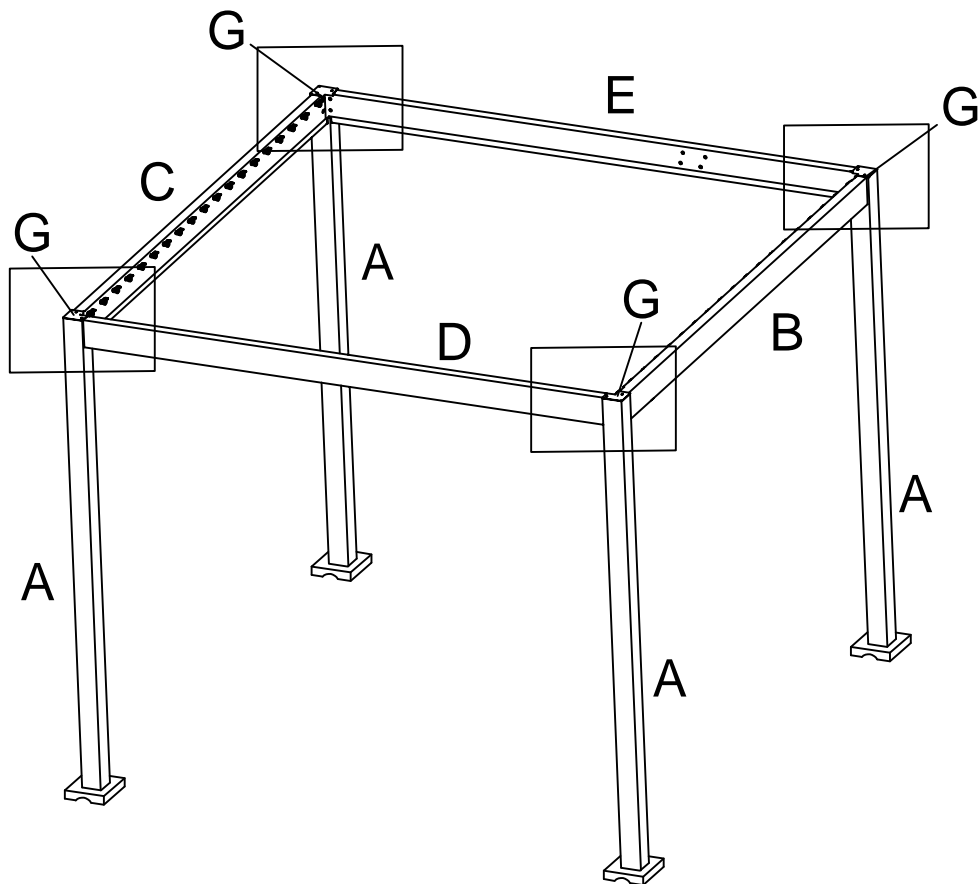
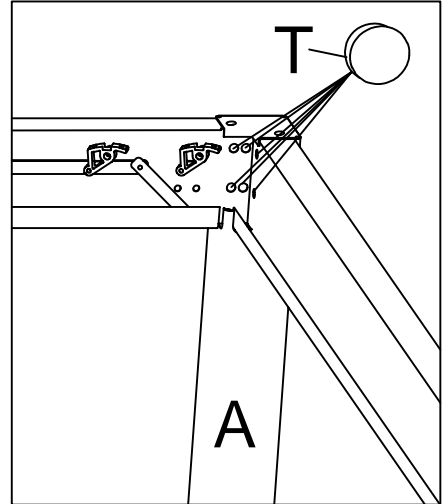
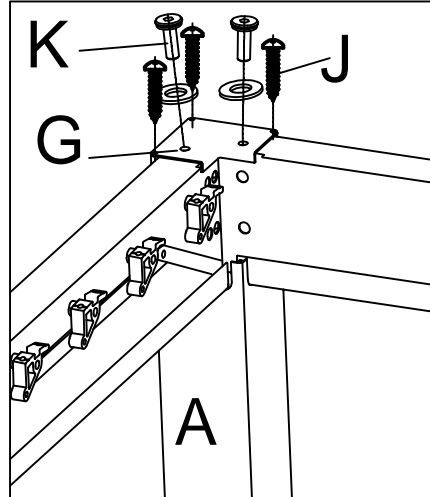
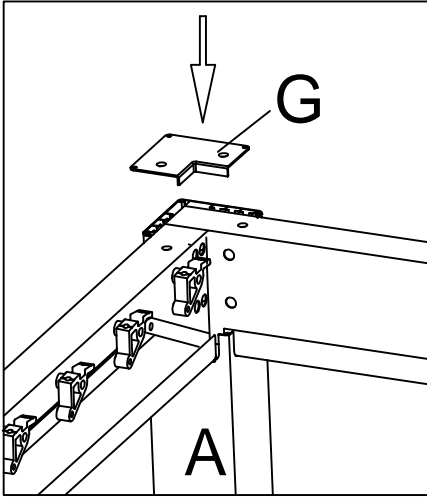
C (x1)

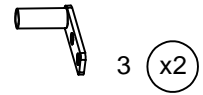
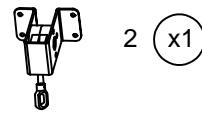
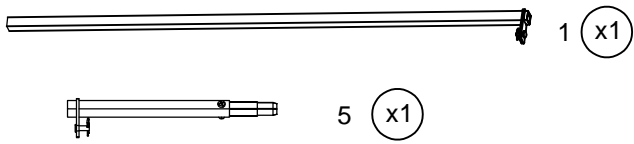
Step4:



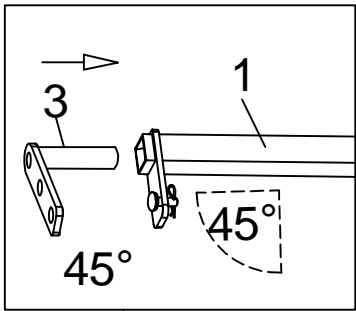


Step 5:

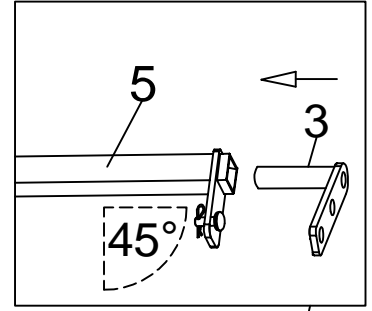
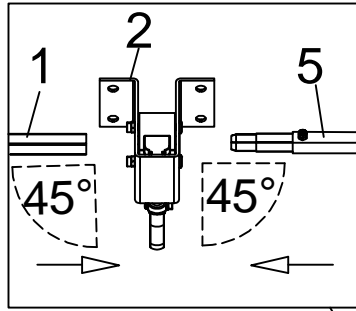




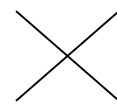
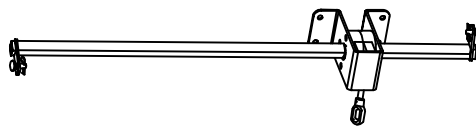
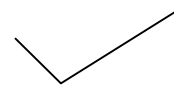
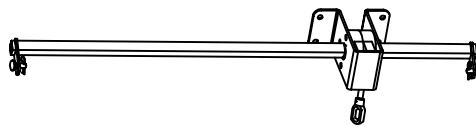
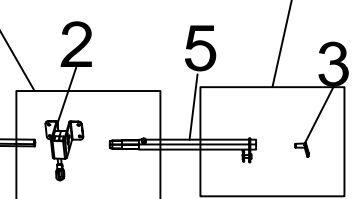
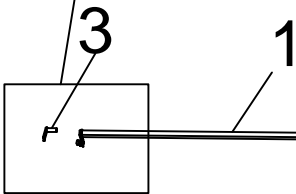
Step6:



Left

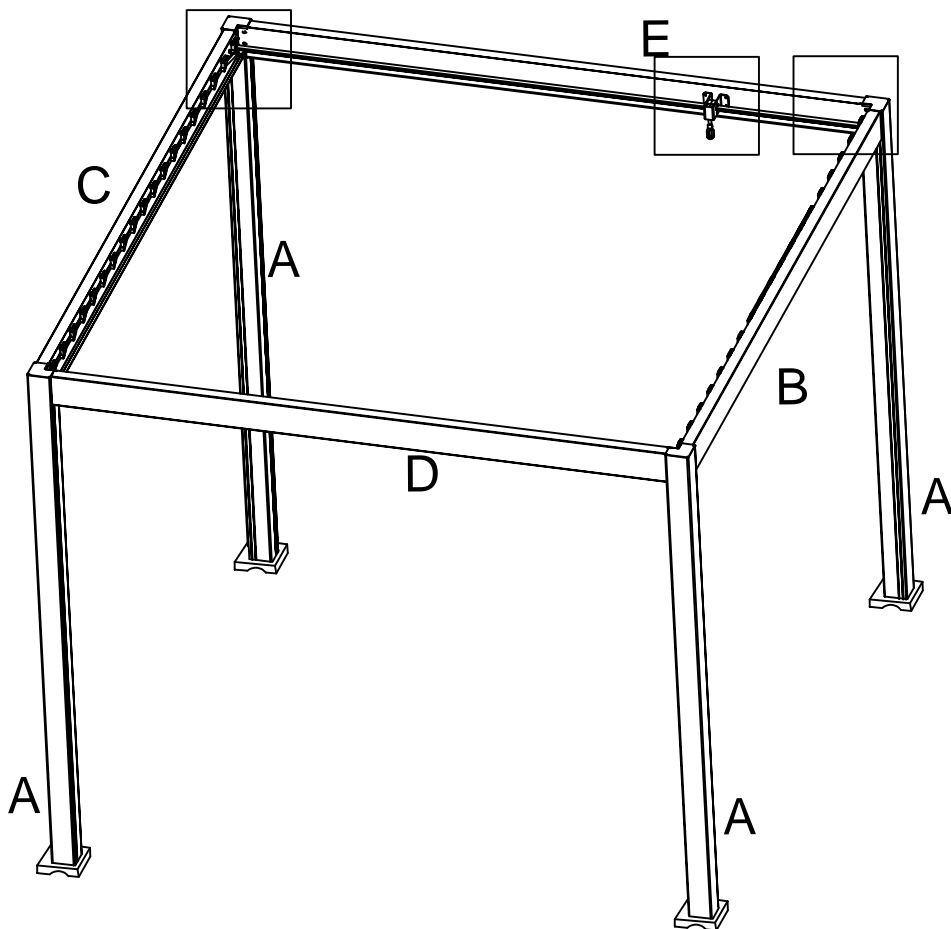
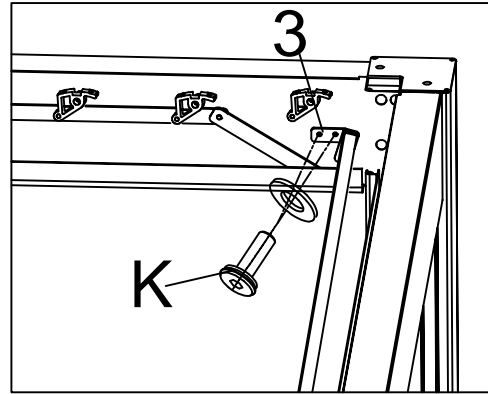
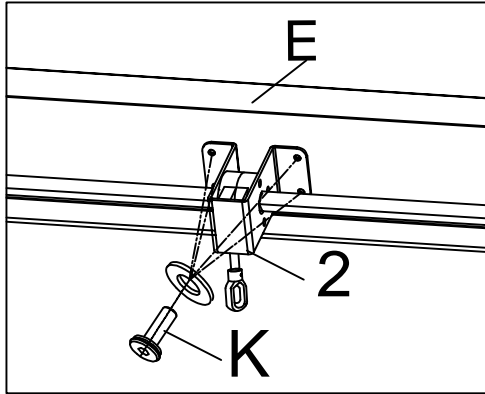


Right

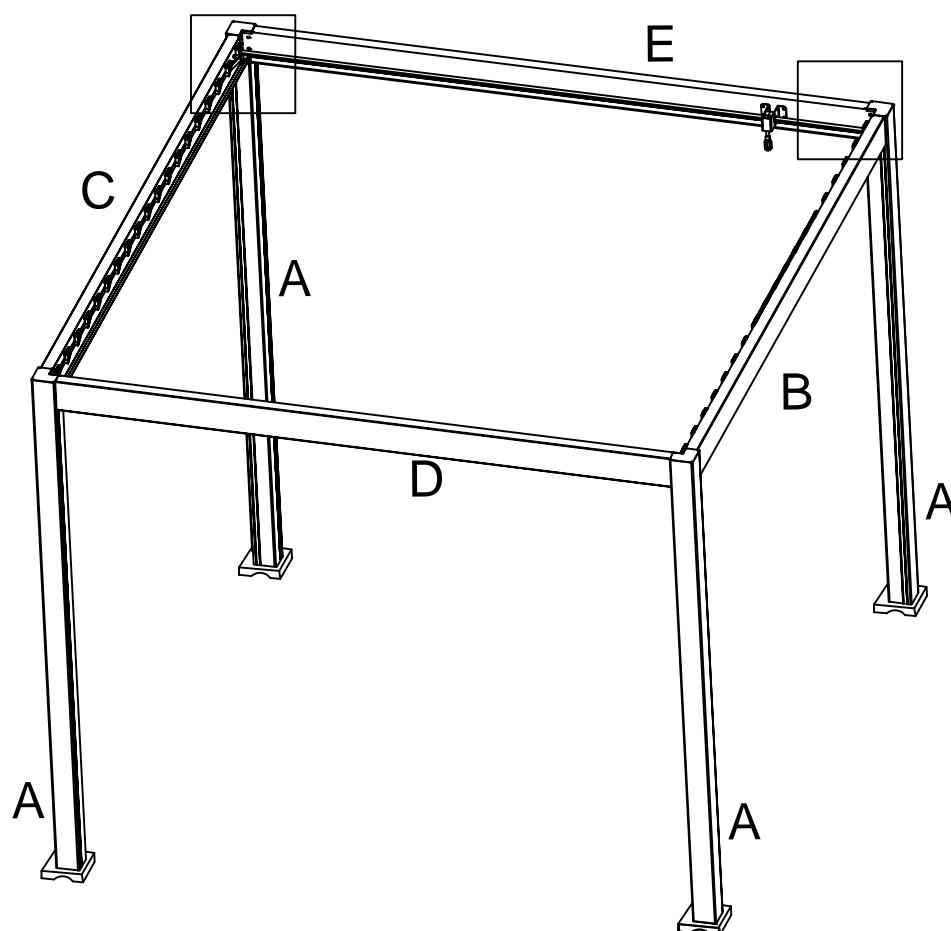
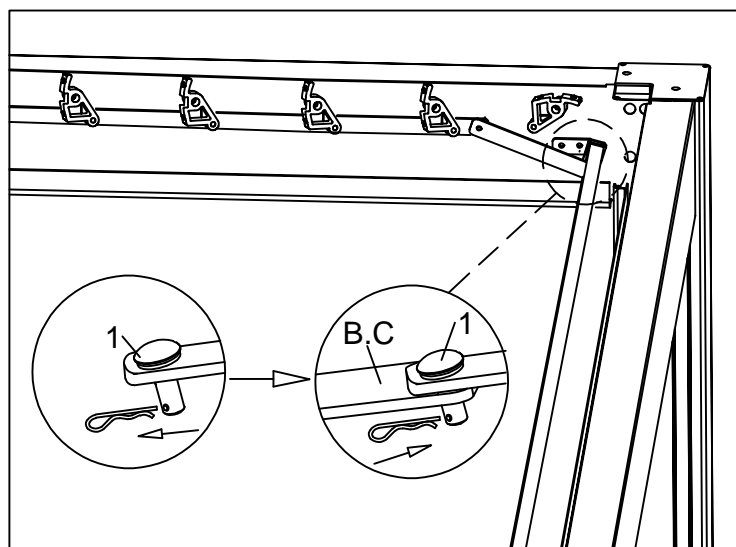


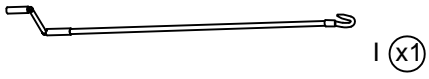


Step 7:

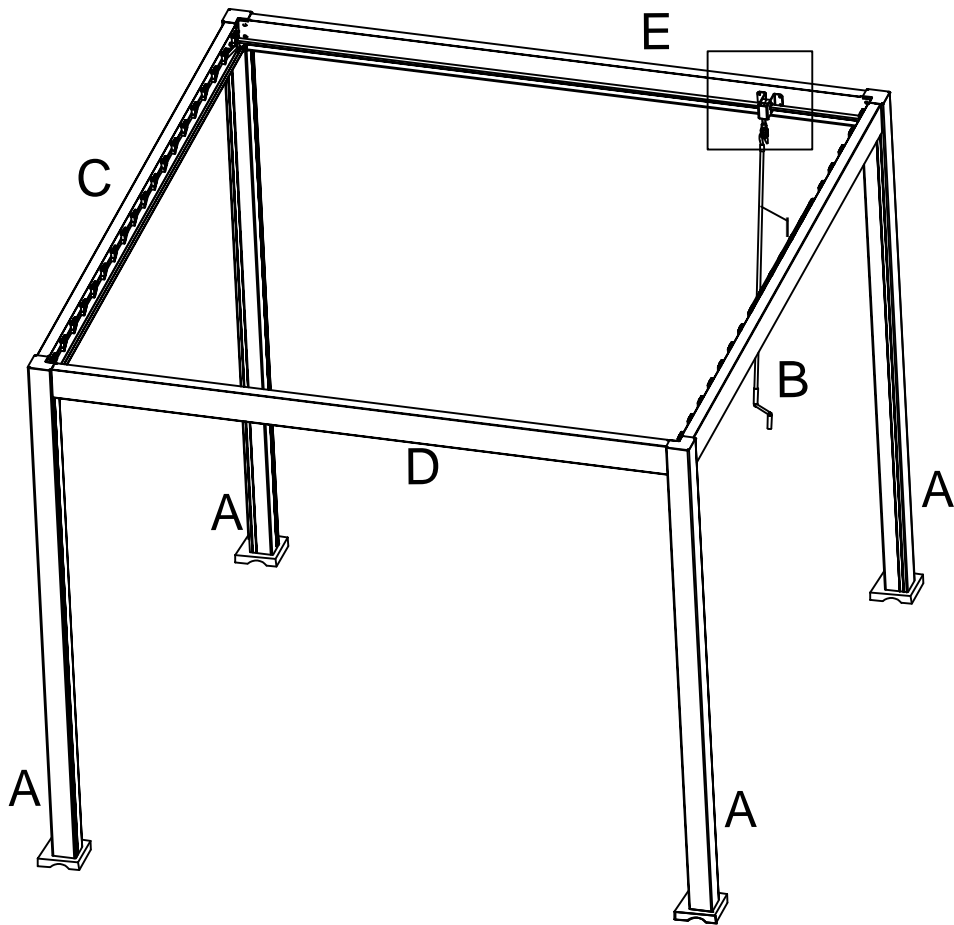
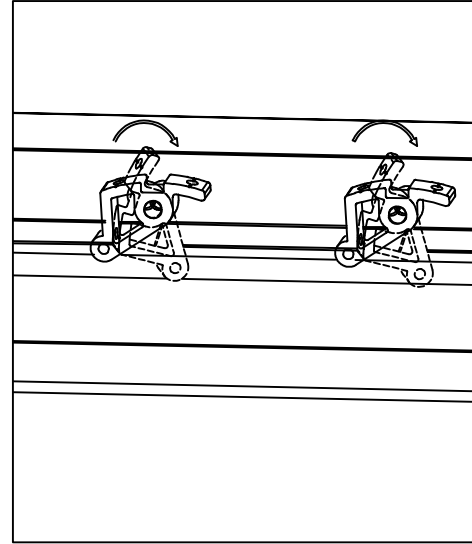
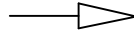
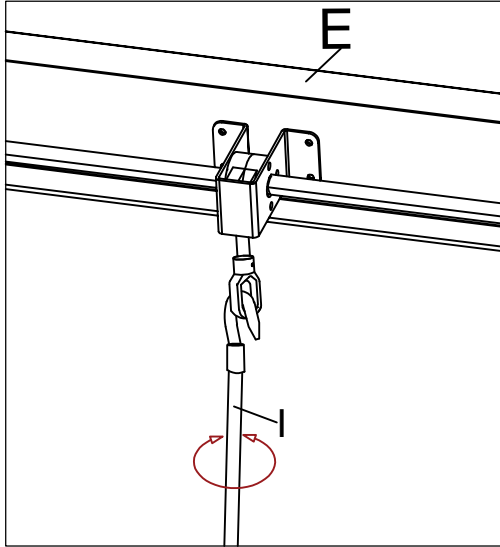


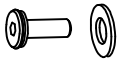
Step 8:





Step9:





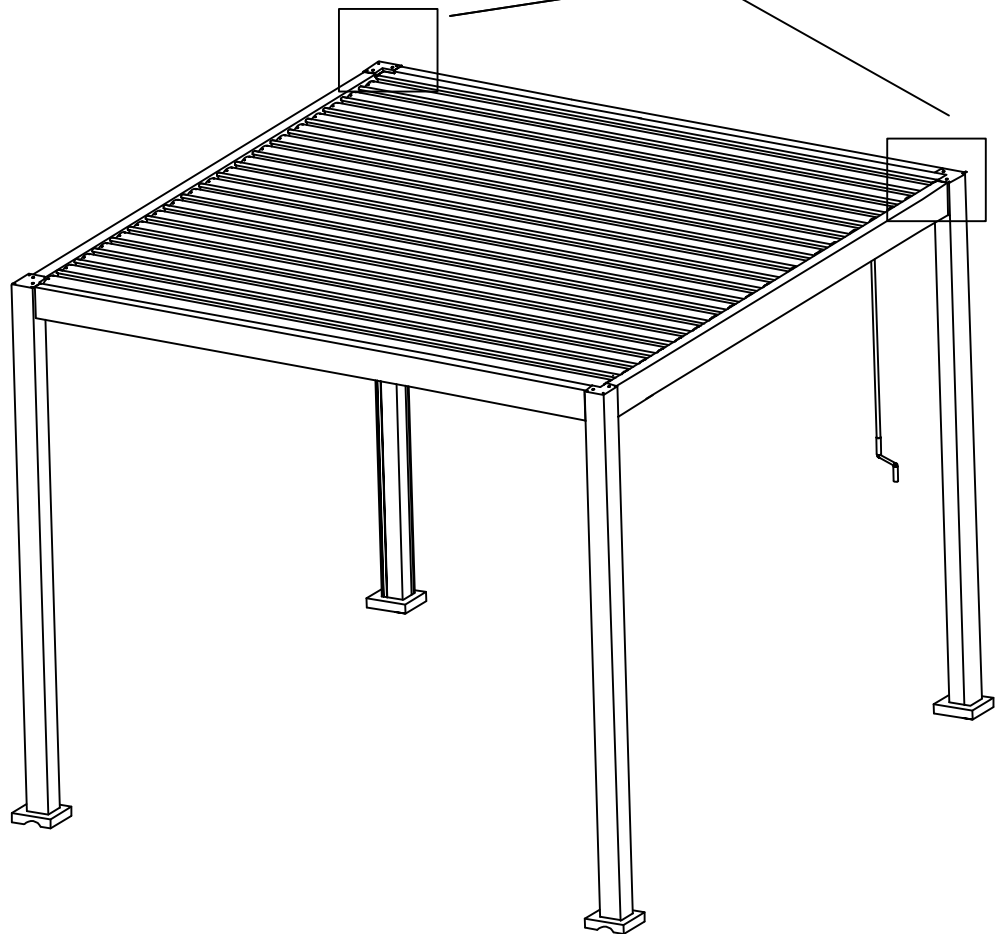
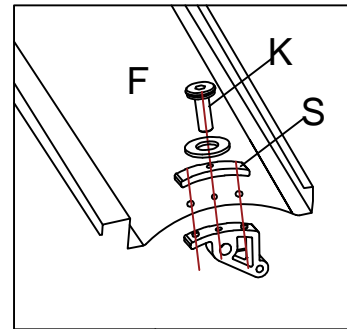
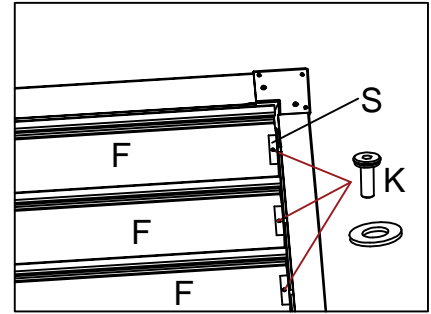
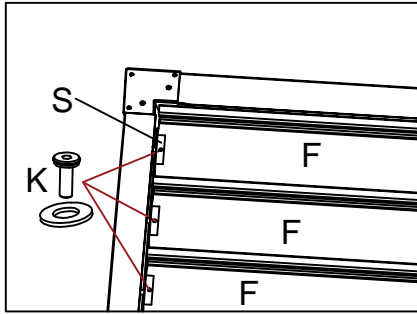
K (x38)



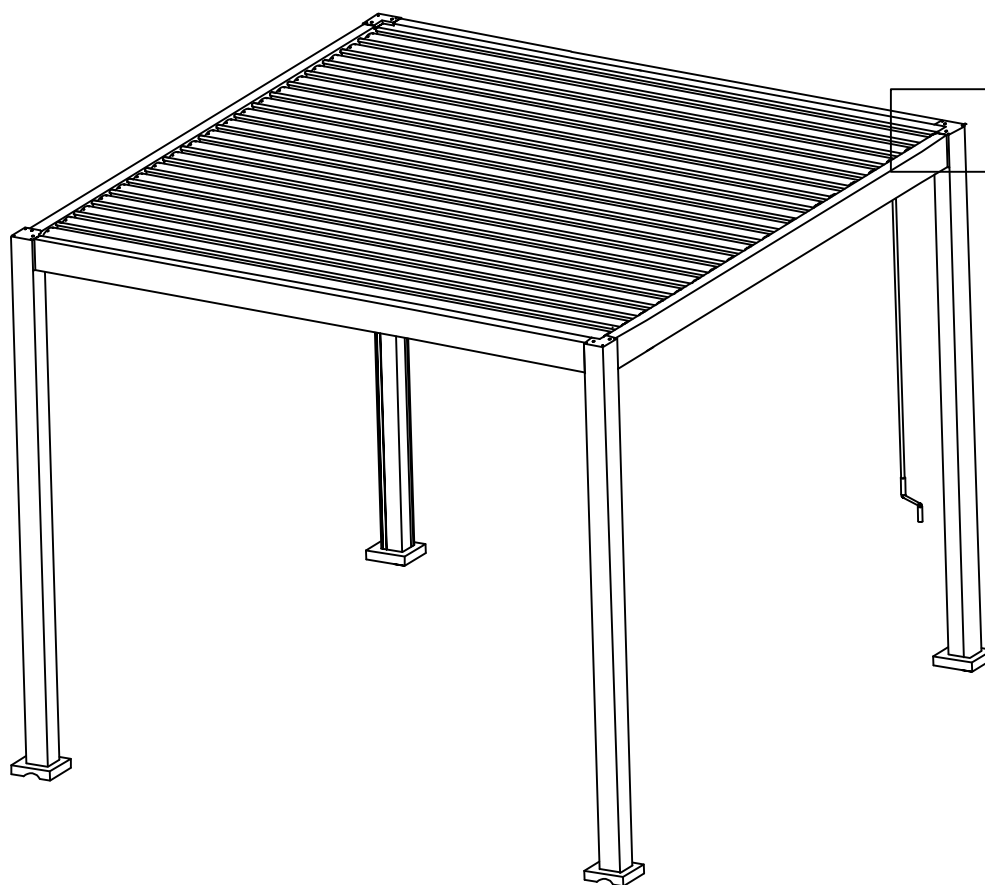
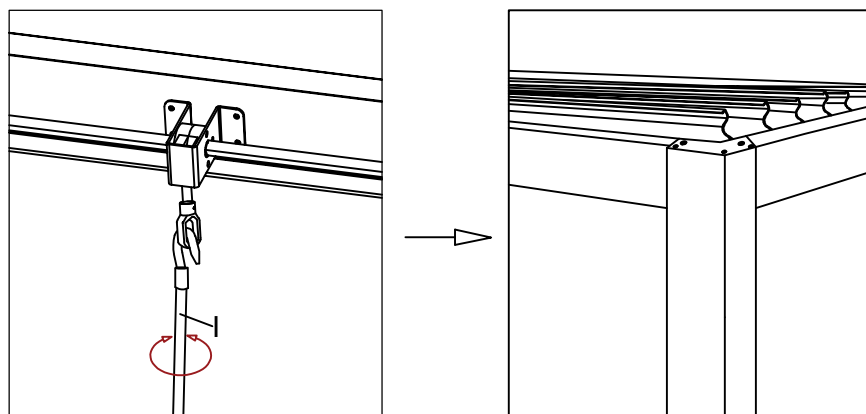
S (x38)



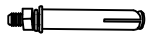
F (x19)



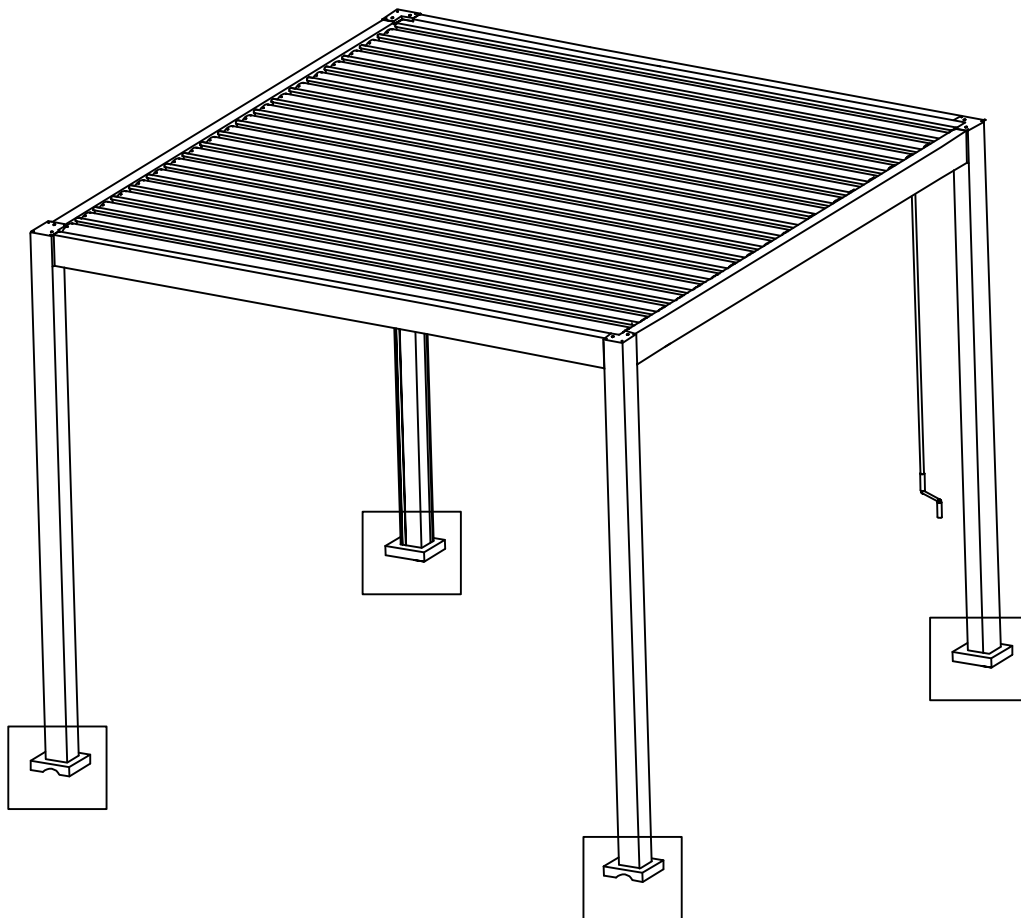
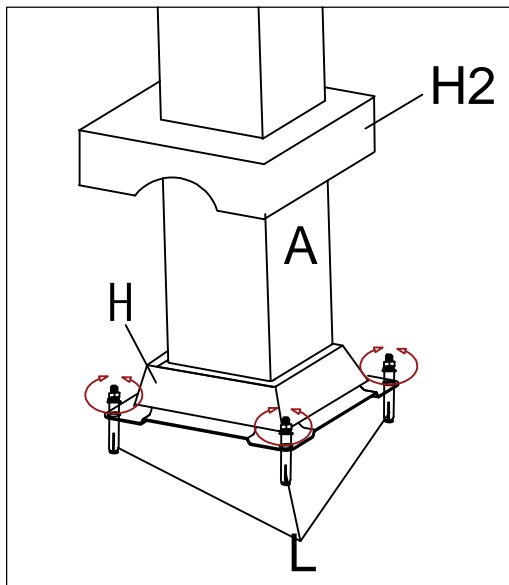
Step10:



Step 11:



L (x16)



Step12: