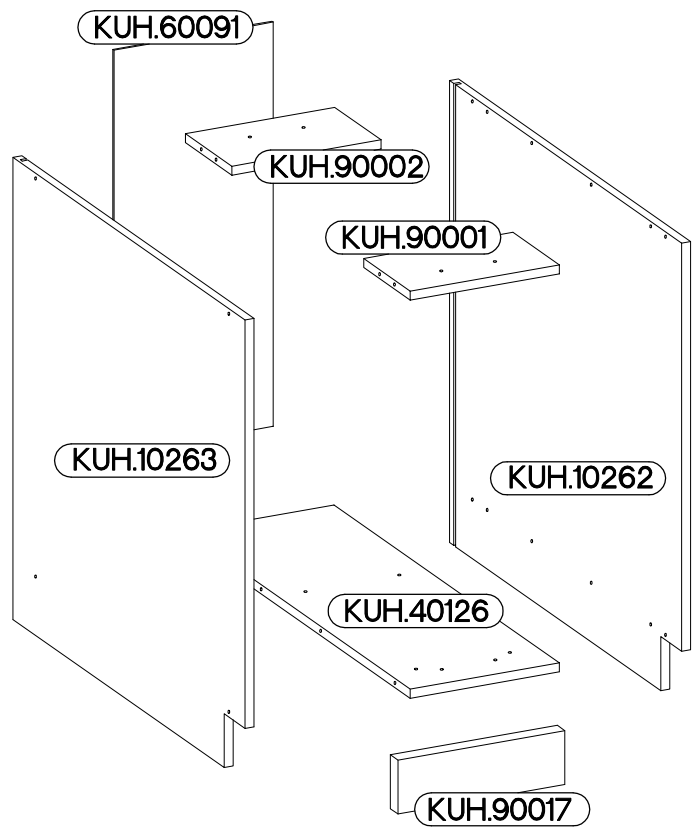
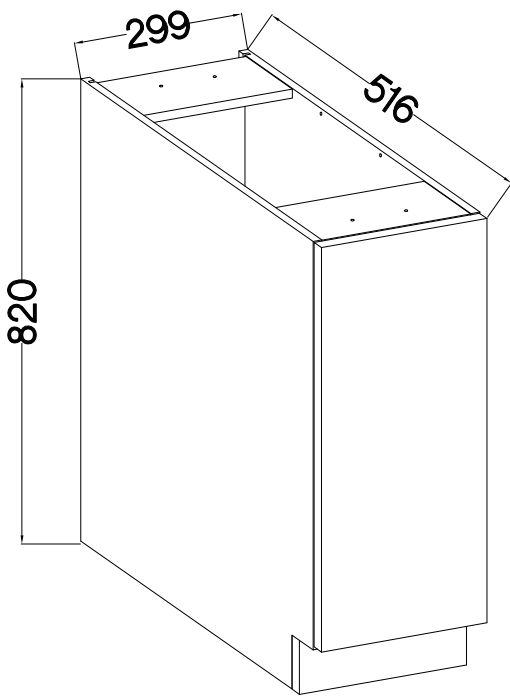
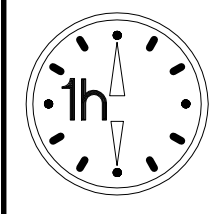
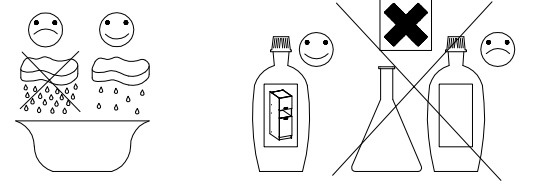
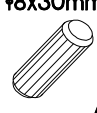
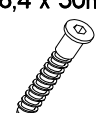
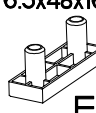

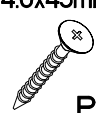




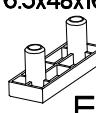

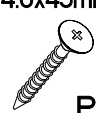


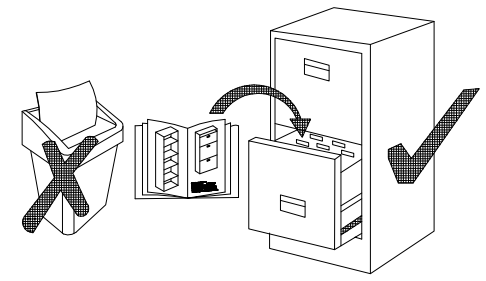


**30 D CARGO BB**


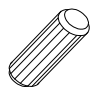


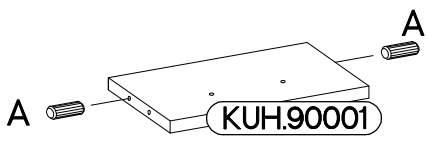
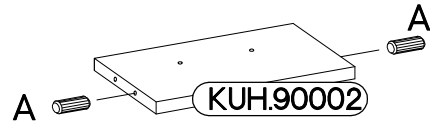
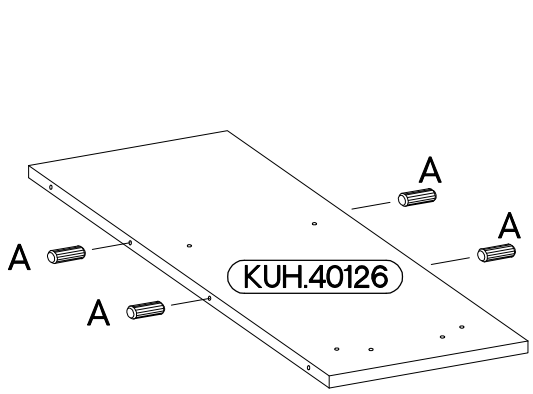
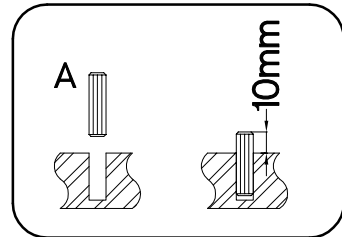
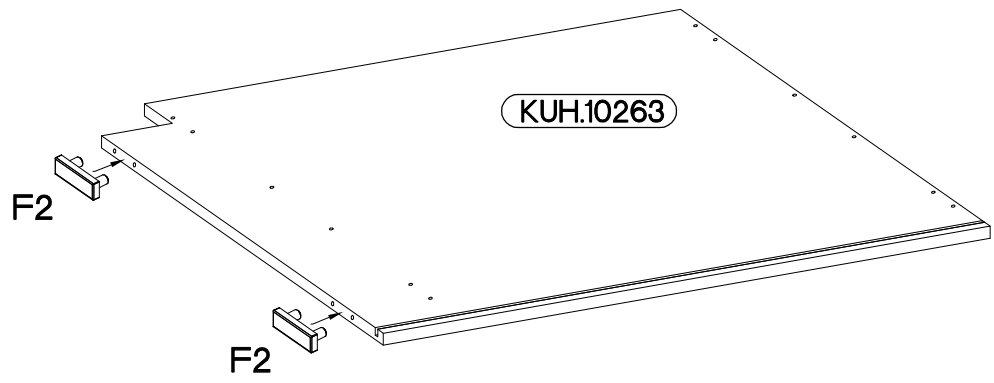
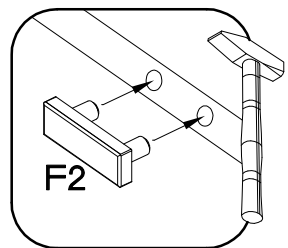
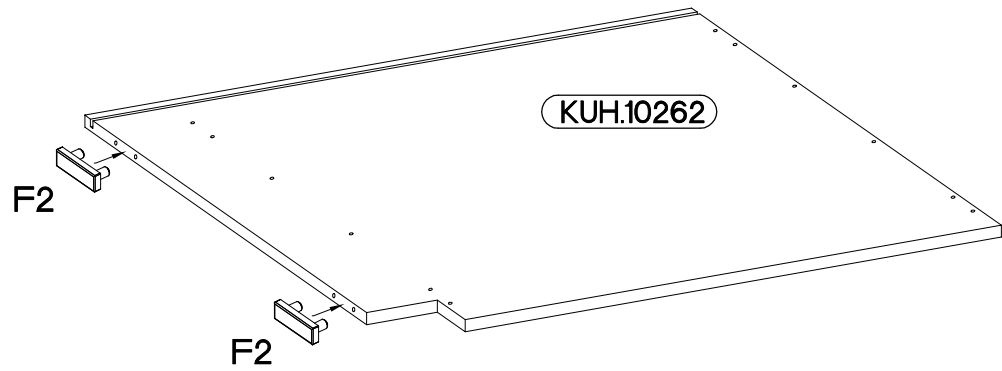
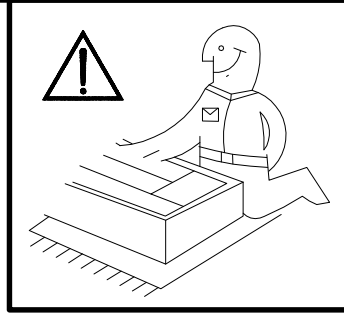
 A 8	 B 8			 F2 4	 O 1	 P4 2	 P7 8-10	 R3 4
 E1 8	 E9 2	 F2 4	 O 1	 P4 2	 P7 8-10	 R3 4		



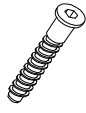
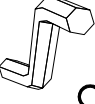

**ISM-KUH-01153**

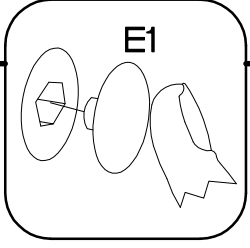
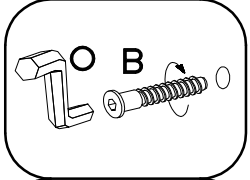
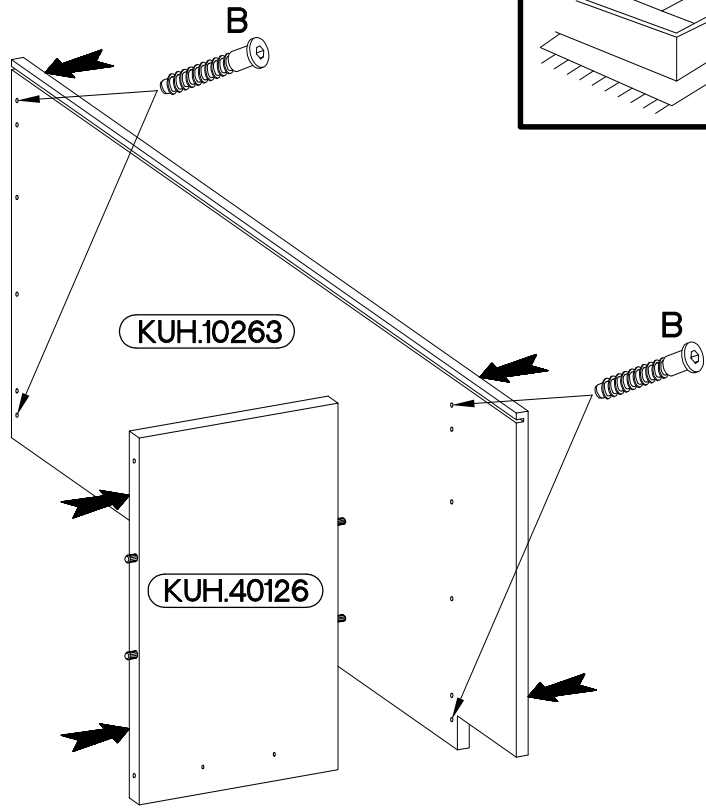
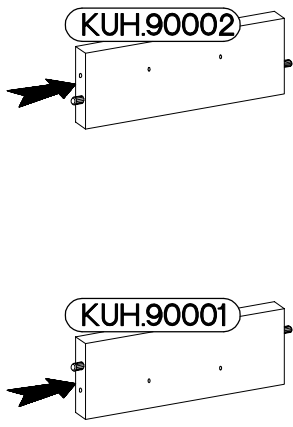
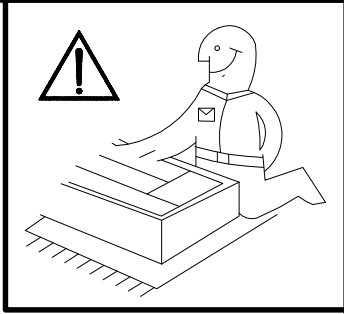
1

6.5x48x16  F2 4	†8x30mm  A 8
--	---

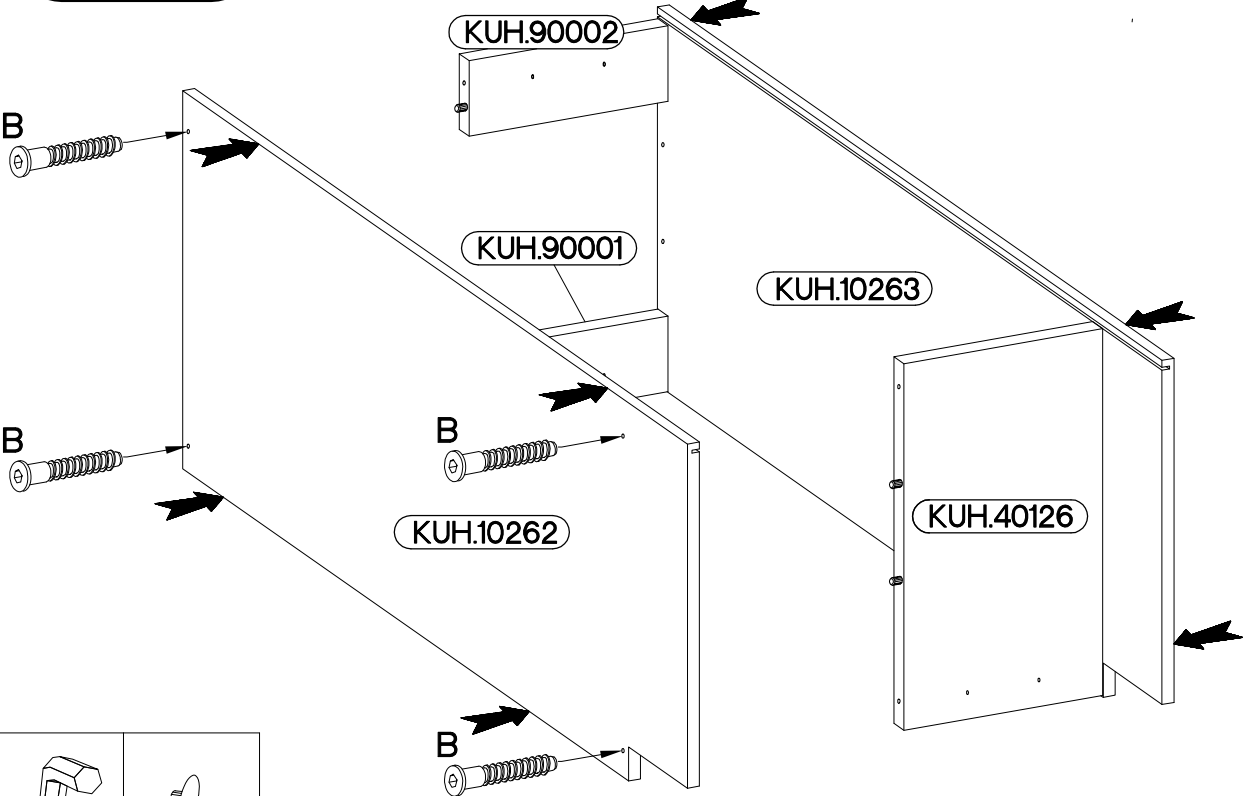



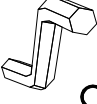

2

6,4 x 50mm		
		
<b>B</b>	<b>O</b>	<b>E1</b>
4	1	4

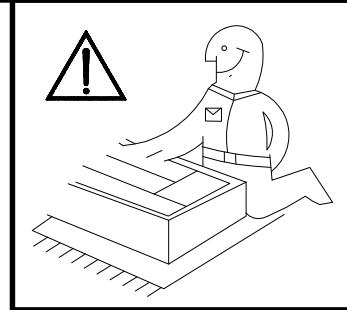
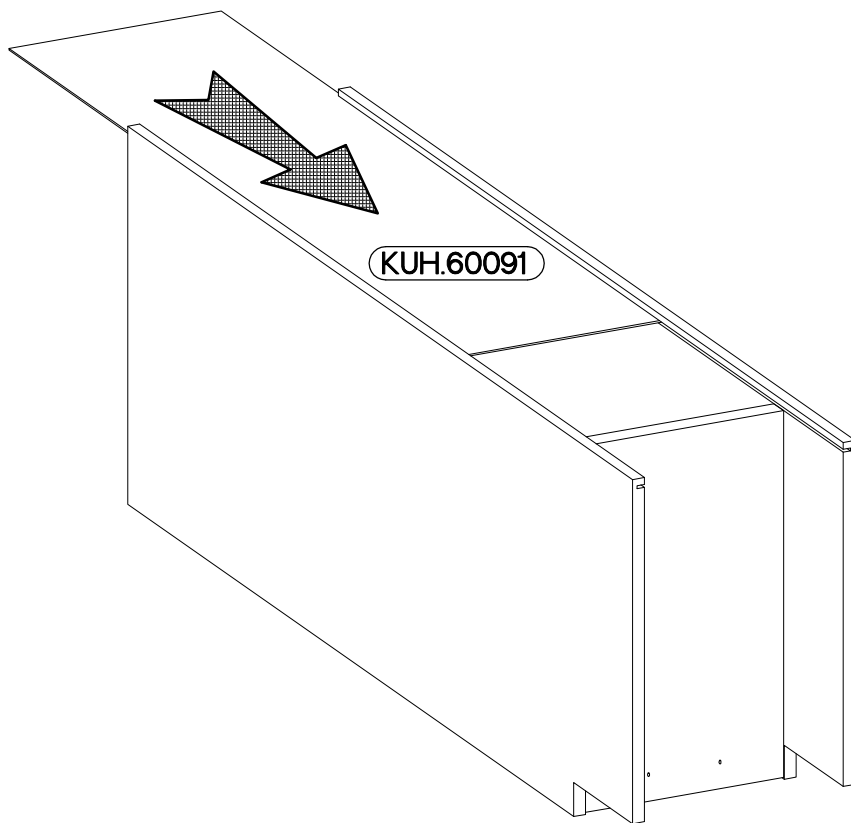


3




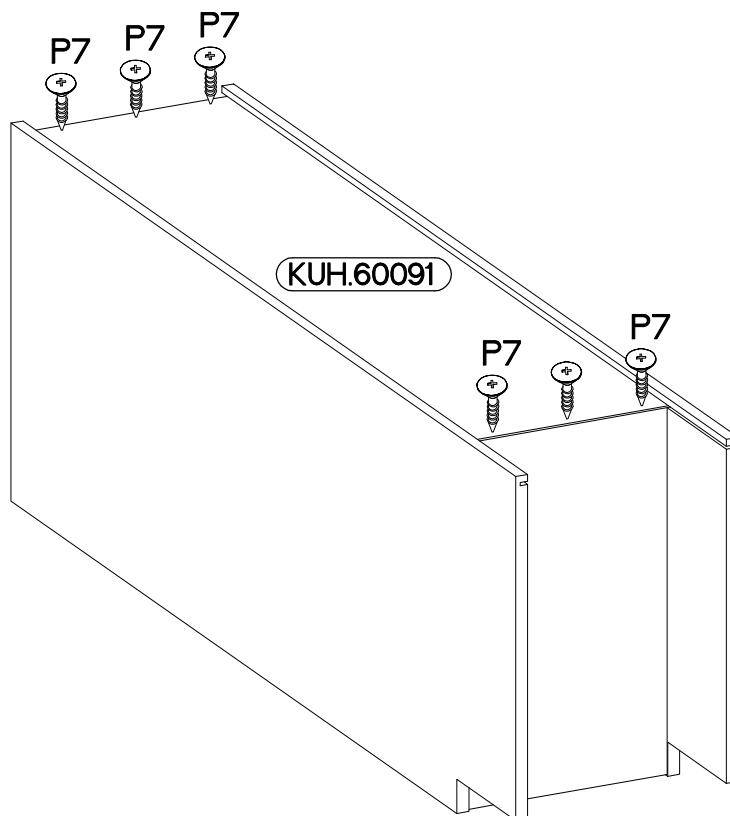
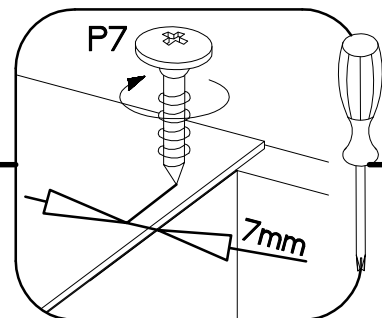
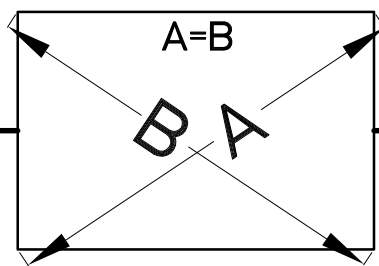
6,4 x 50mm		
		
<b>B</b>	<b>O</b>	<b>E1</b>
4	1	4

4



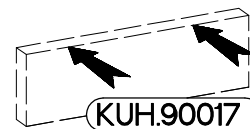
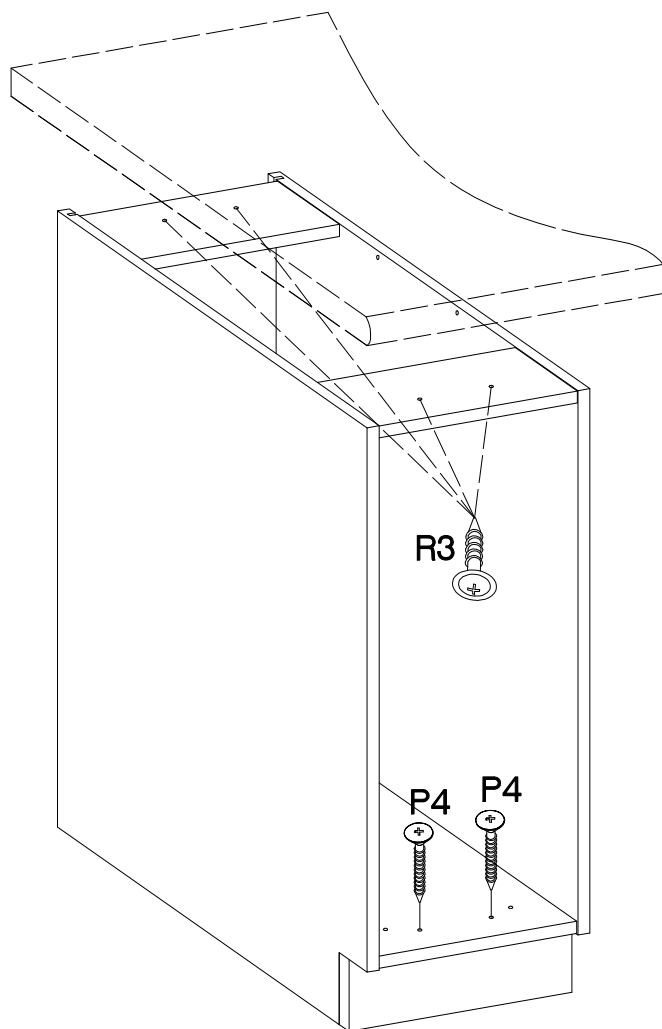
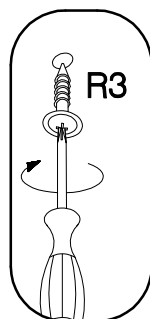
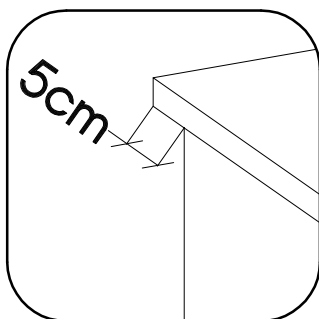
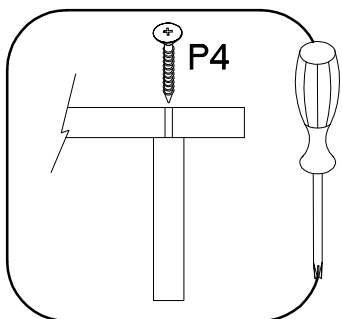
5

±3.0x20mm  
  
 P7  
 8-10



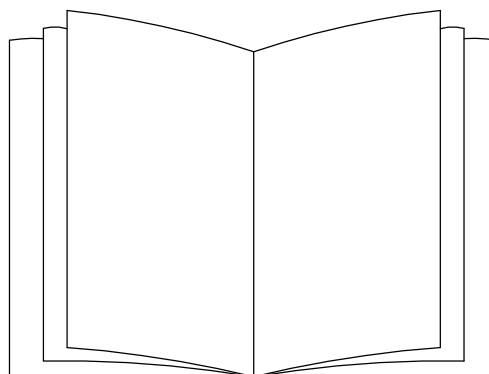
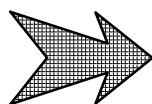
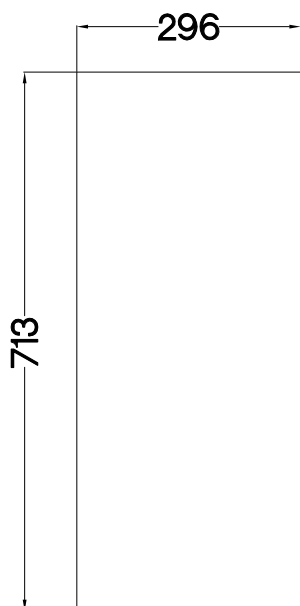
6

↑4.0x45mm P4 2	E9 2	↑4.0x35mm R3 4
----------------------	---------	----------------------

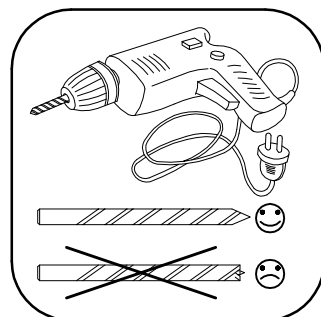
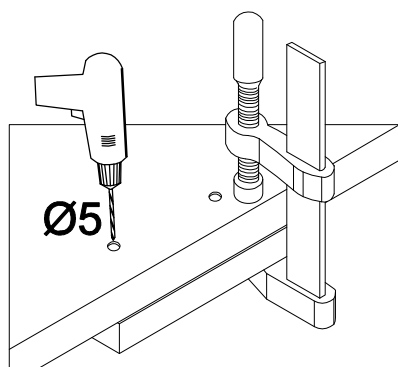
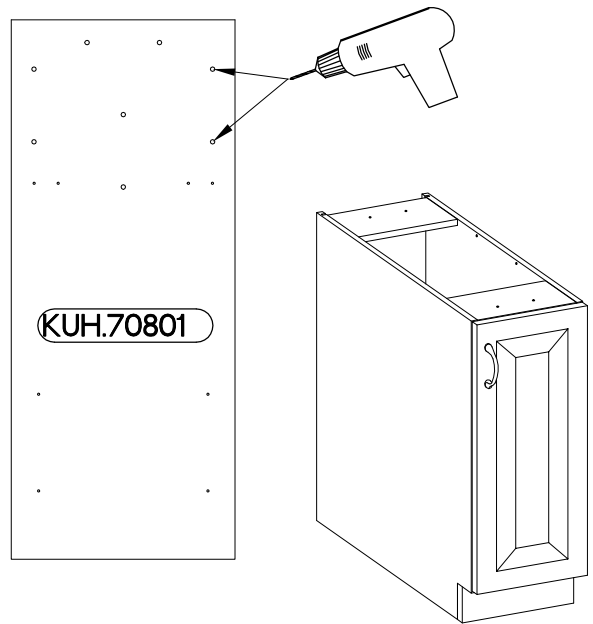
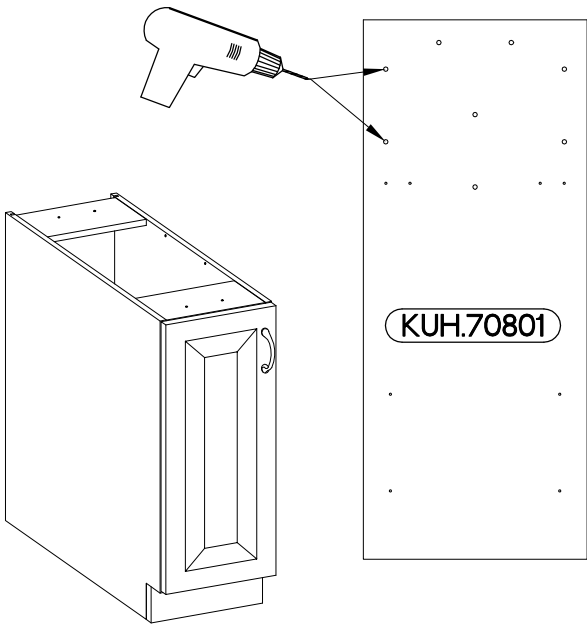
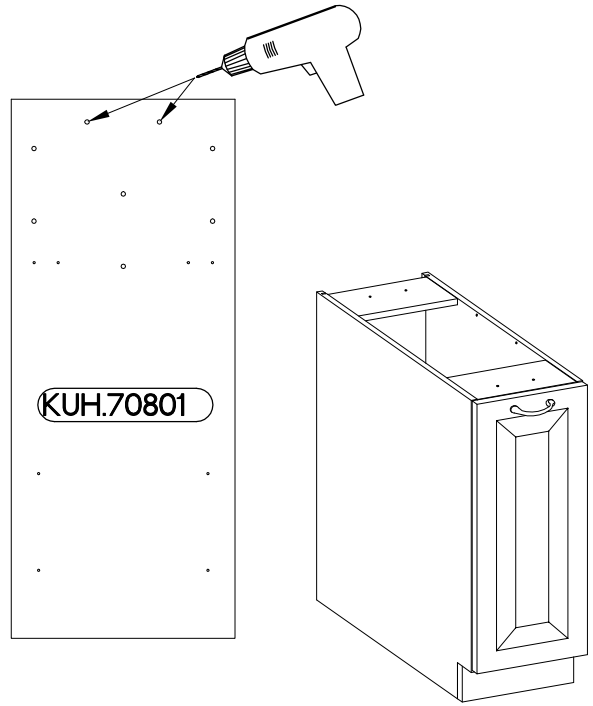
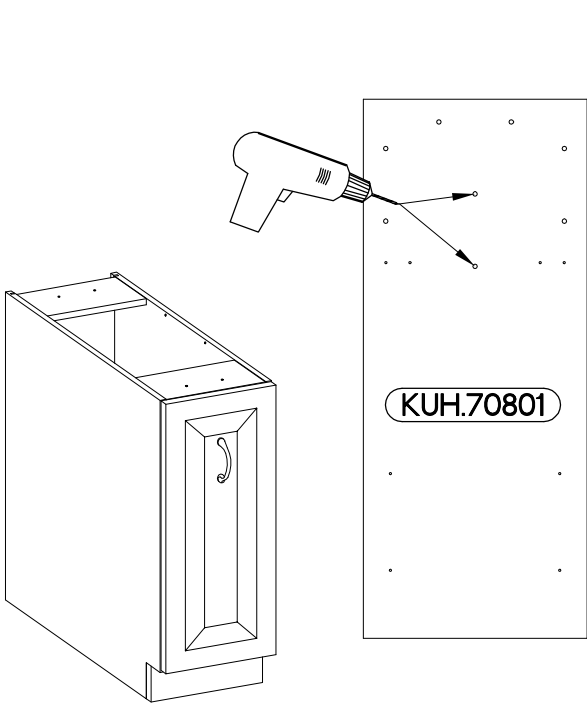


7

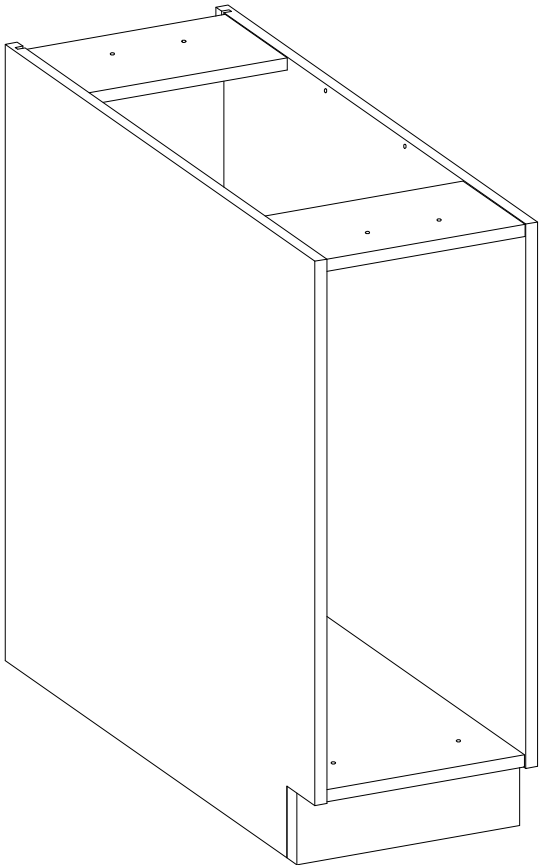
FRONT









2



M4x22mm	
	
U	S
2	1

