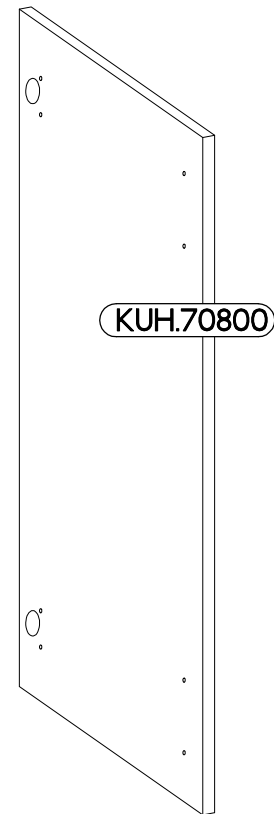
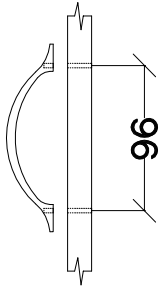
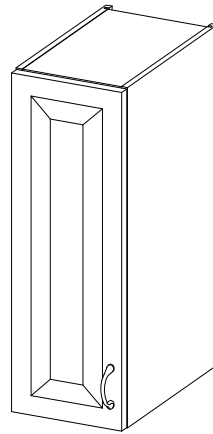
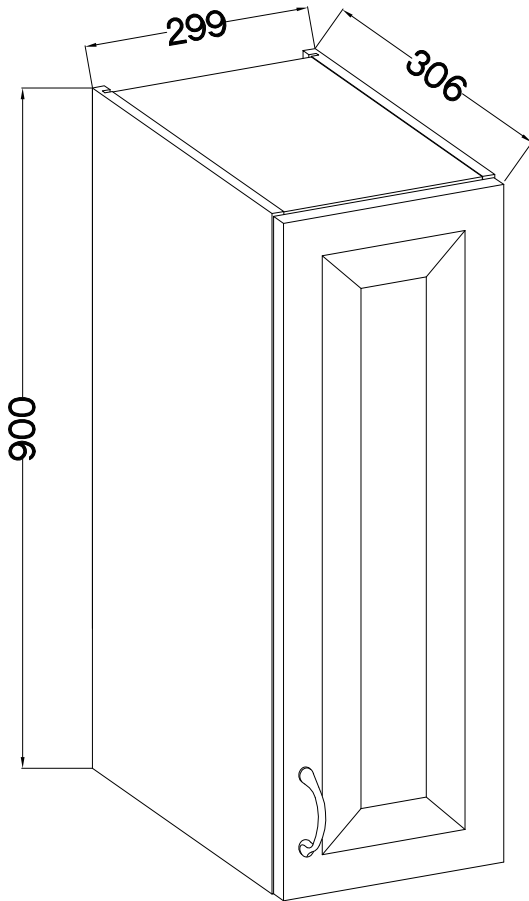
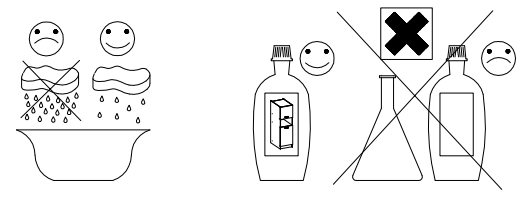




30 G-90 1F
FRONT



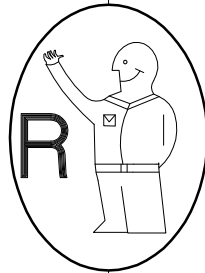
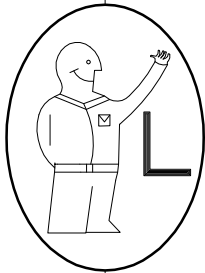
M4x22mm	
	
U	S
2	1

ISM-KUH-01213

1

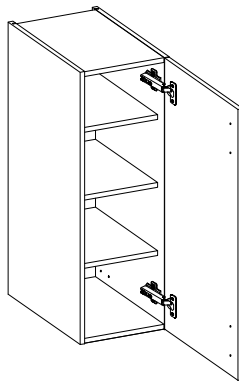
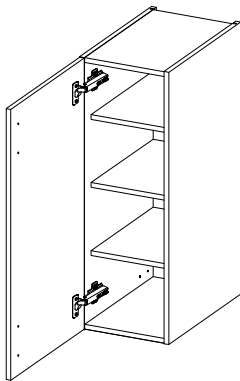
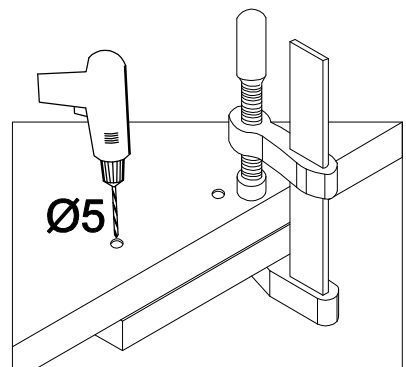
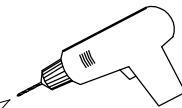
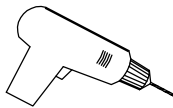
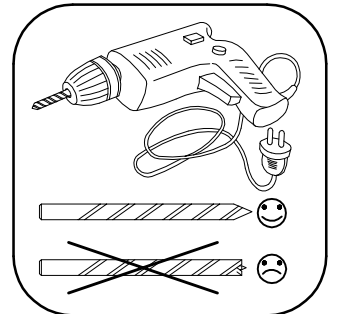
LEFT

RIGHT





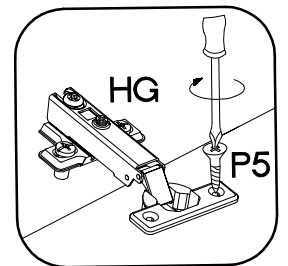
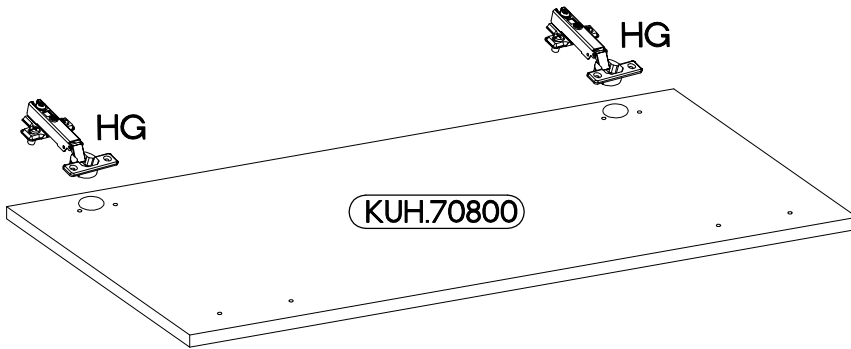
KUH.70800

KUH.70800



2

 HG 2	 P5 4
--	--



3

M4x22mm



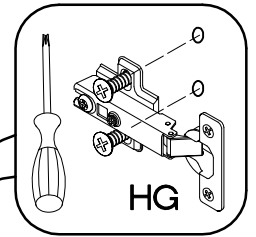
U

2



S

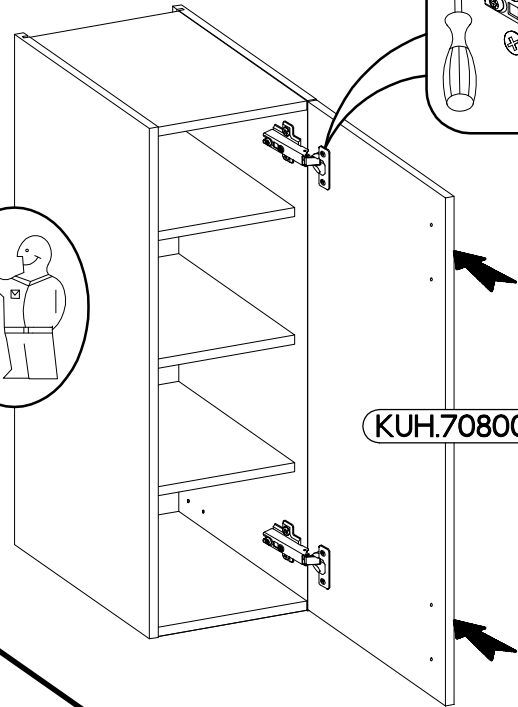
1



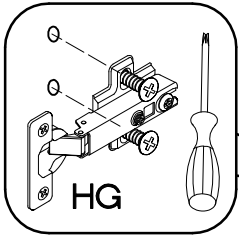
HG



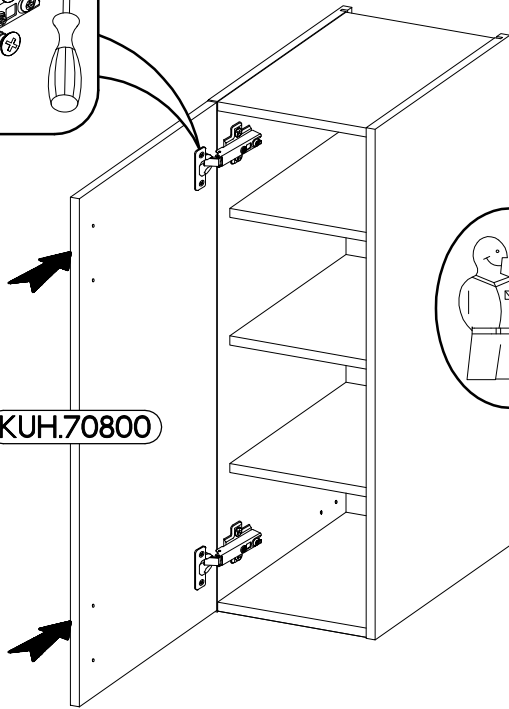
R



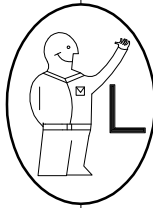
KUH.70800



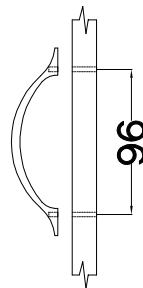
HG



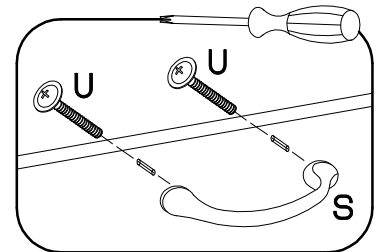
KUH.70800



L

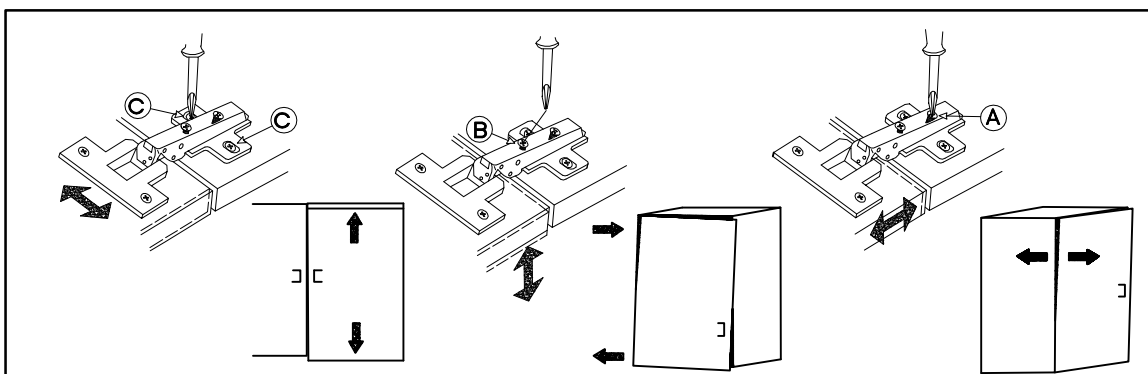


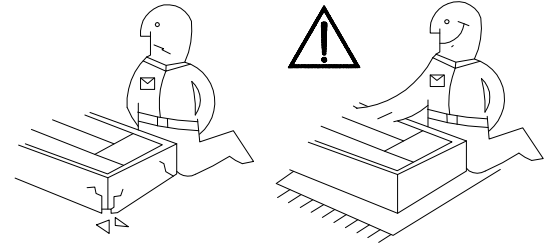
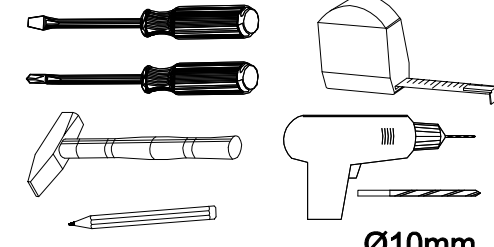
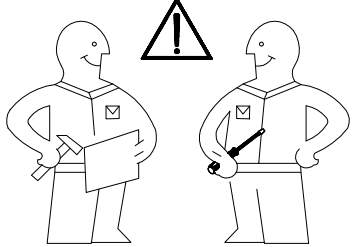
96



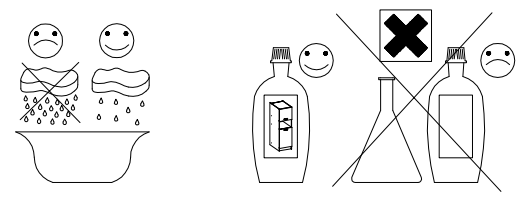
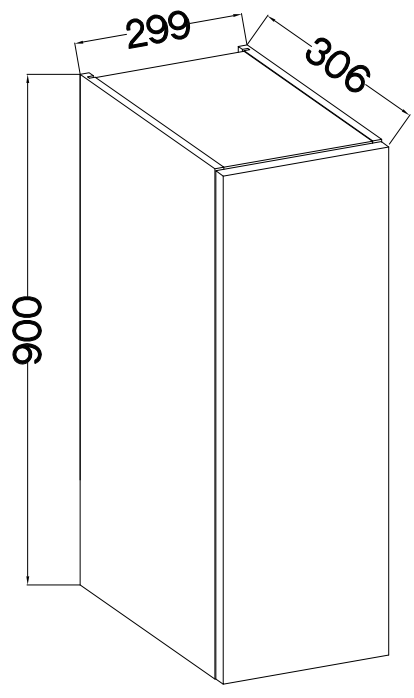
U

S

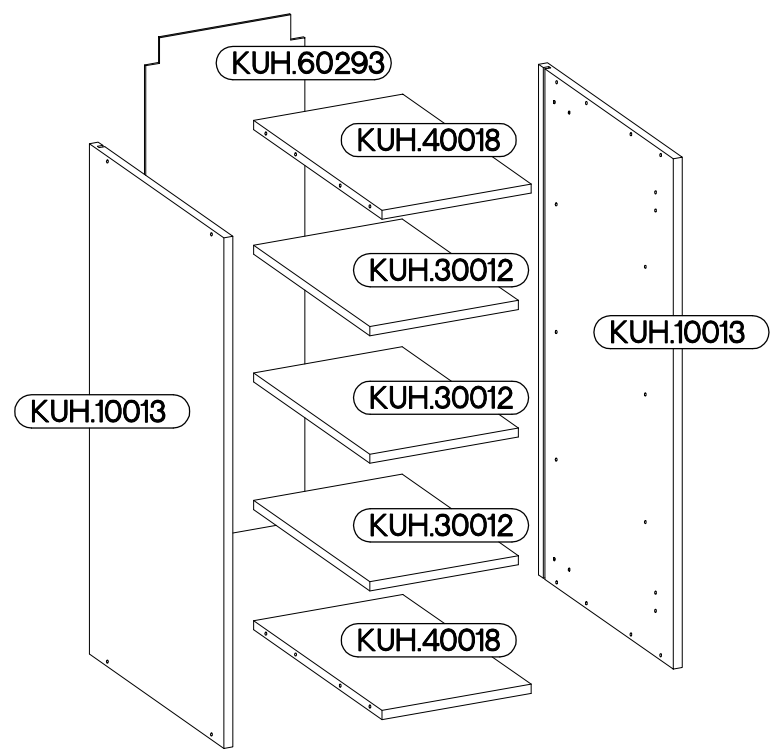
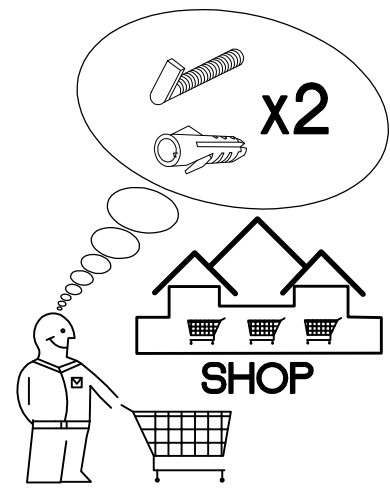
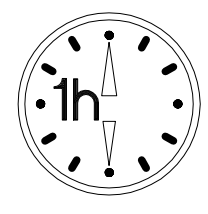




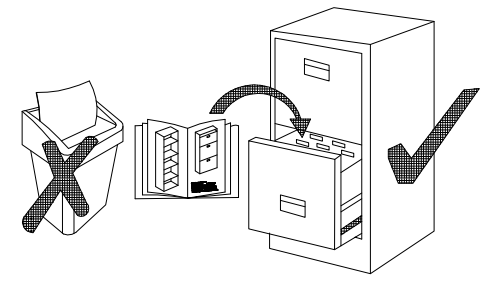
Ø10mm
30 G-90 1F



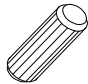
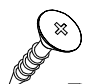

KUH.30012
KUH.40018

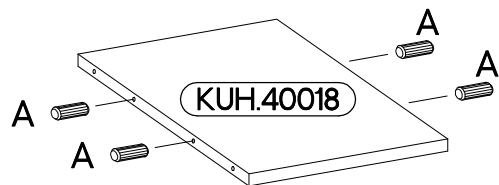
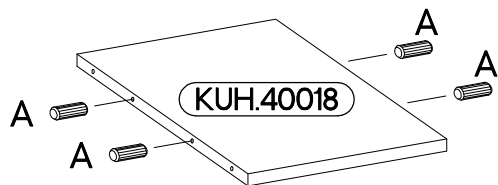
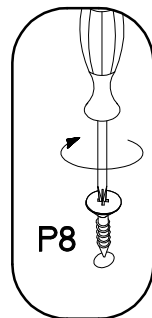
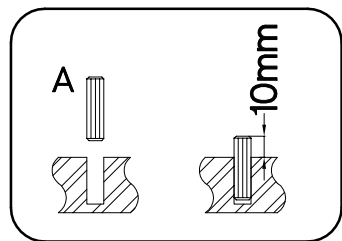
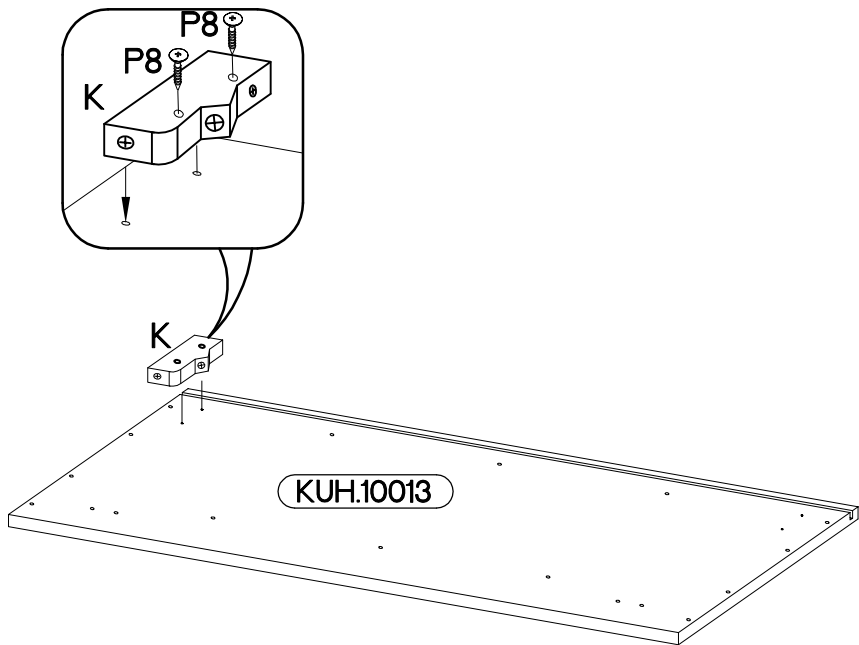
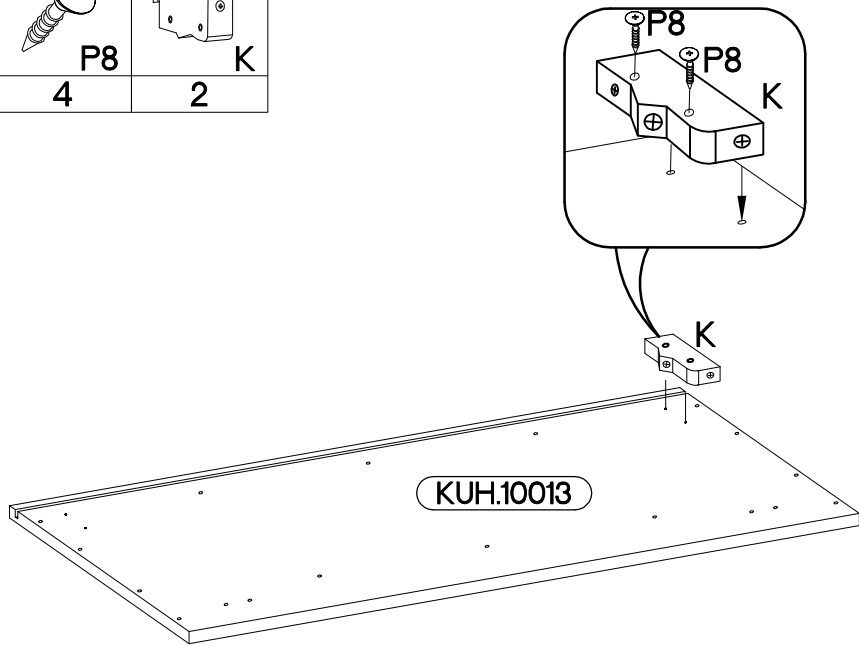
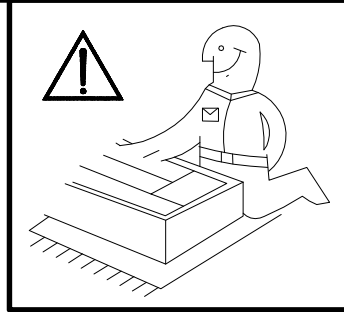


 8x30mm A 8	 6,4 x 50mm B 8	 E1 8	 HG 2	 3.5x13mm P5 4	 3.0x20mm P7 8-10	 4.0x30mm P8 4
 J 12	 K 2	 O 1				


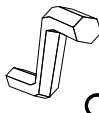



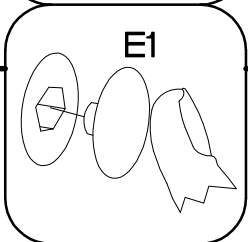
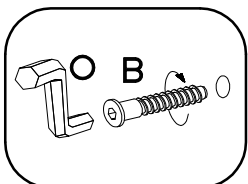
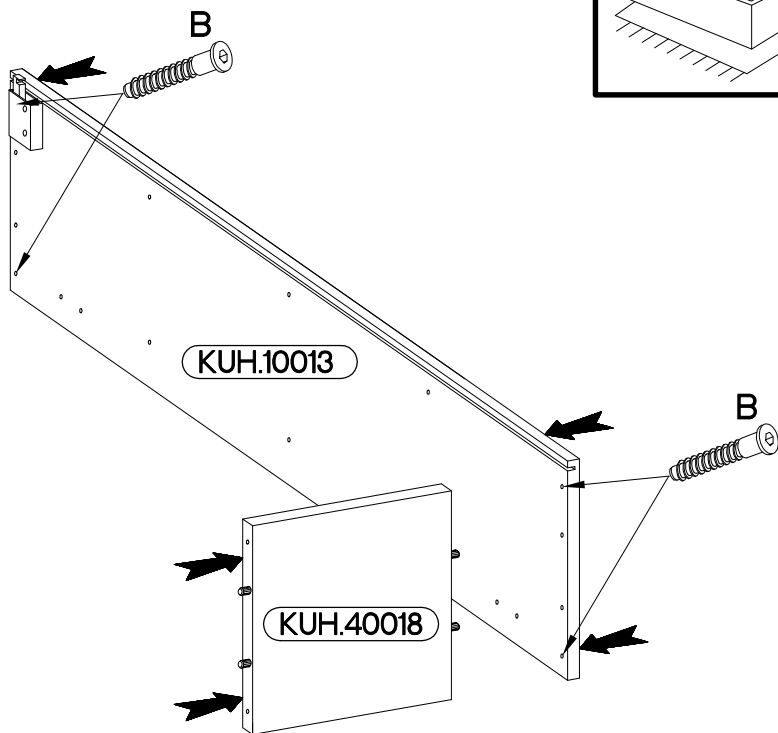
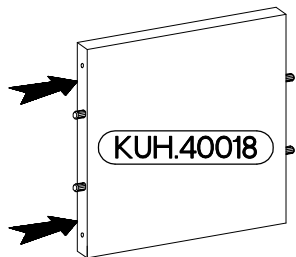
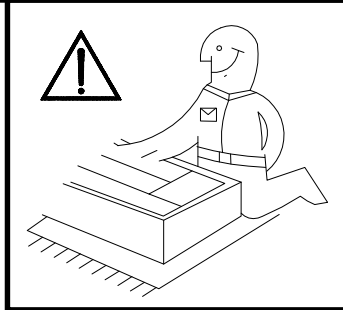
ISM-KUH-01172

 A ø8x30mm	 P8 ø4.0x30mm	 K
8	4	2

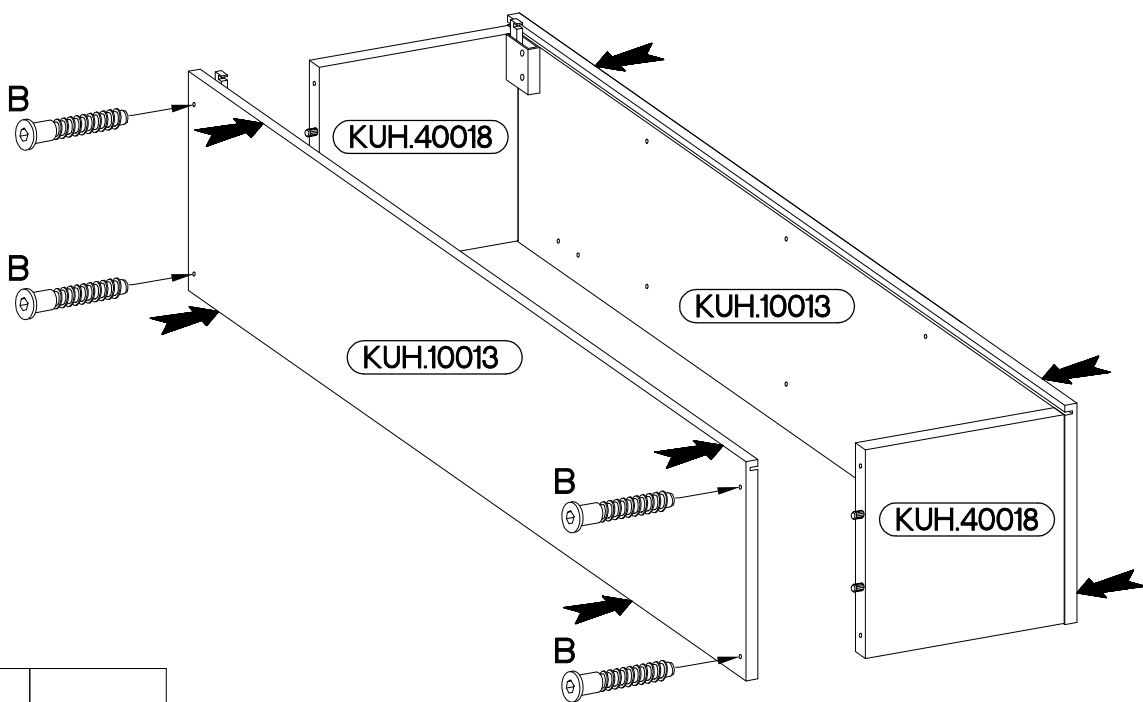



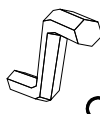

2

6,4 x 50mm		
		
B	O	E1
4	1	4

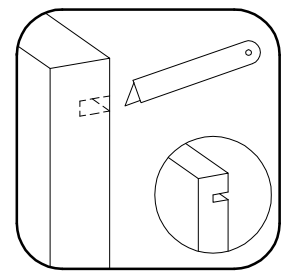
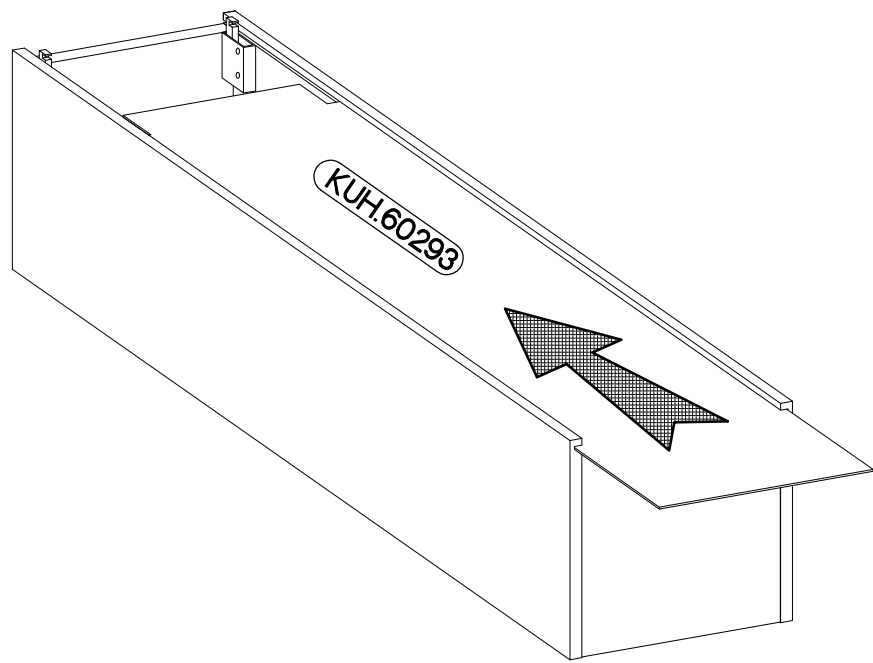
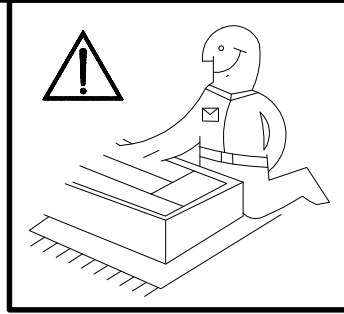


3

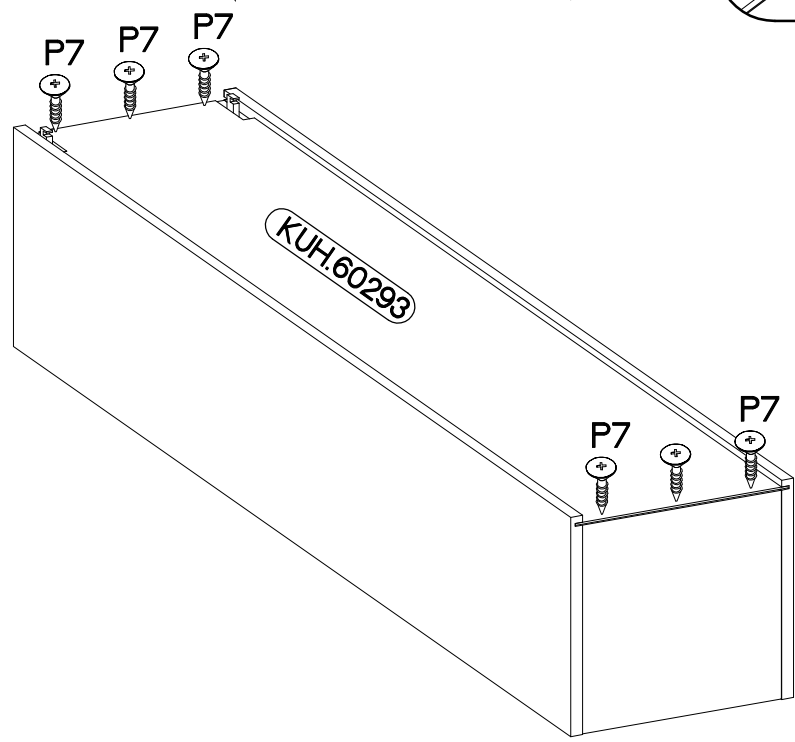
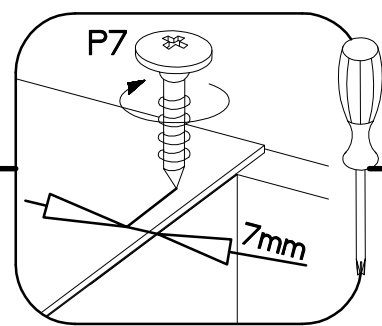
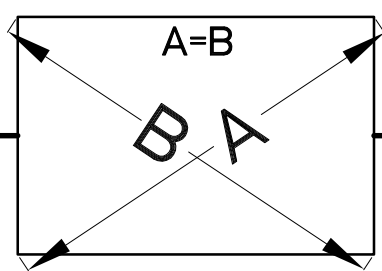
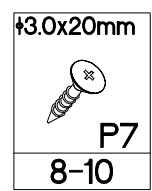


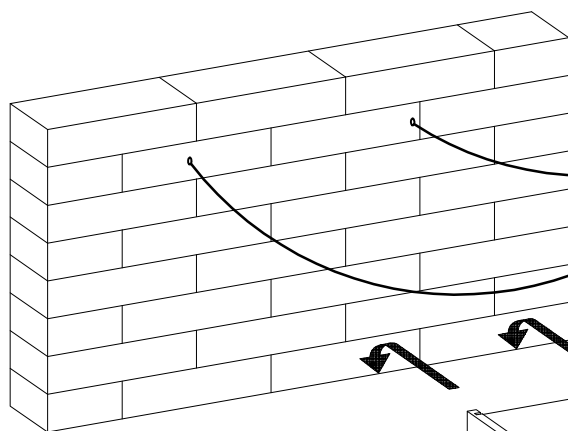
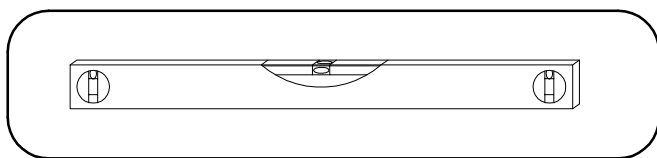
6,4 x 50mm		
		
B	O	E1
4	1	4

4

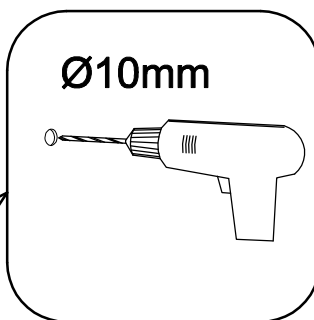


5

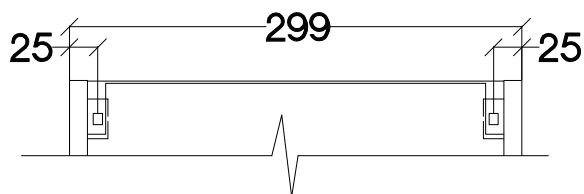
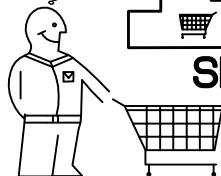
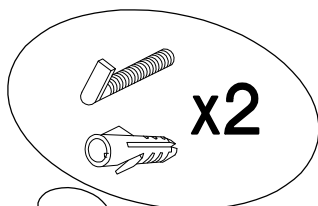
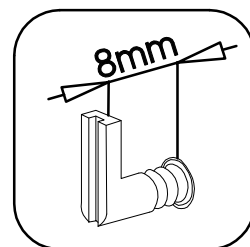
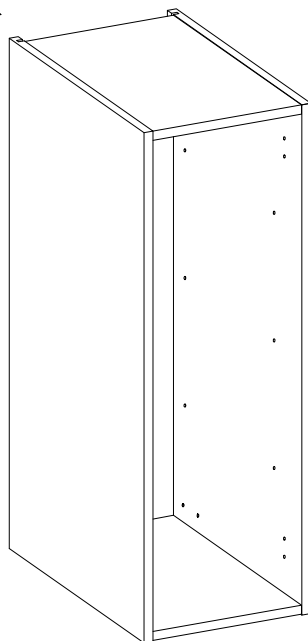
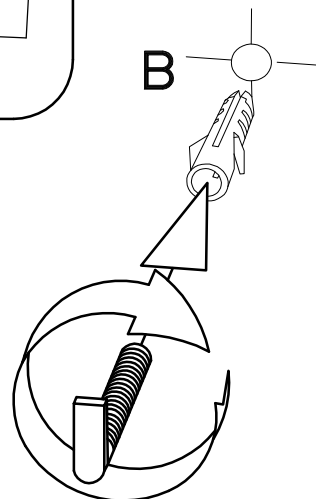




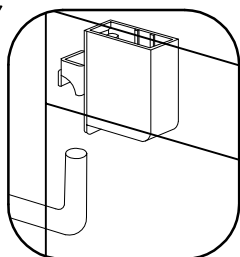
A



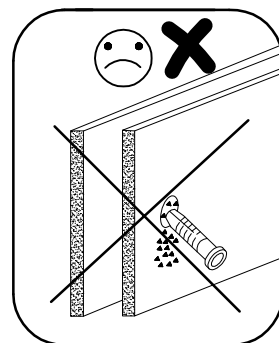
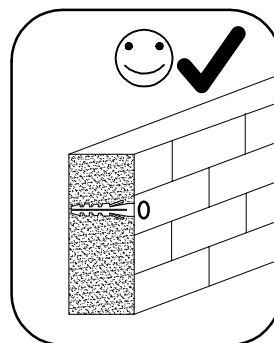
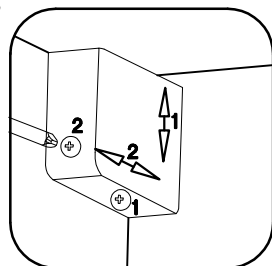
B



C

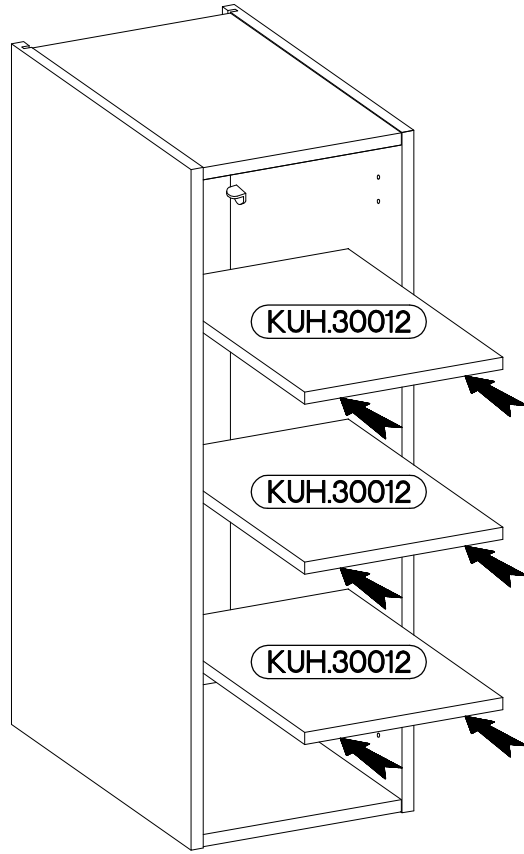
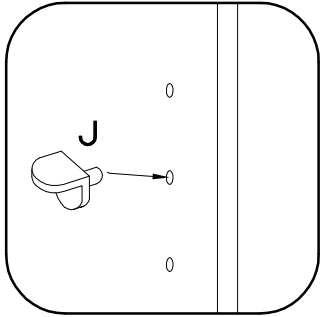


D



7

±5/19mm
J
12



8

FRONT

