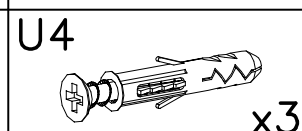
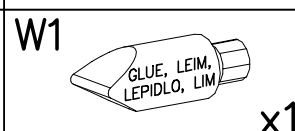
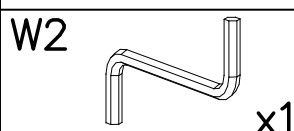
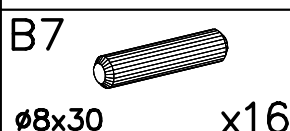
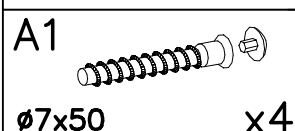
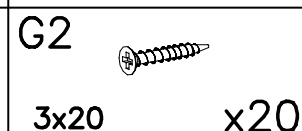
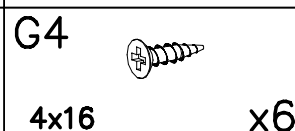
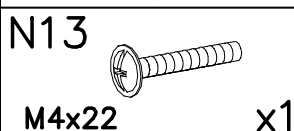
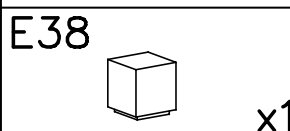
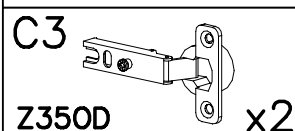
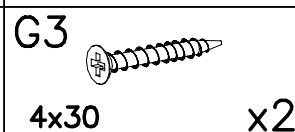
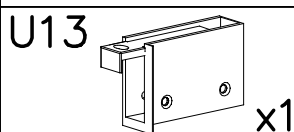
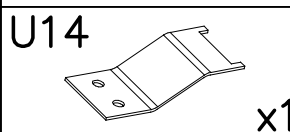
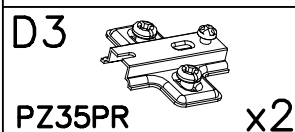
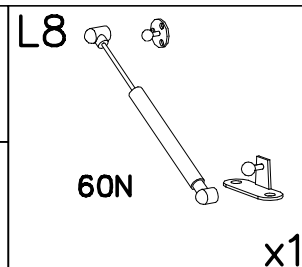
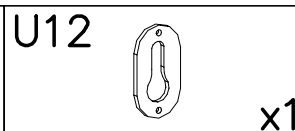
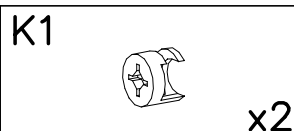
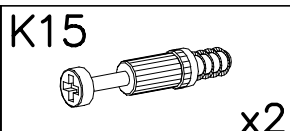
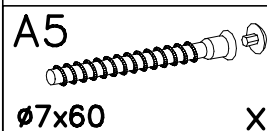
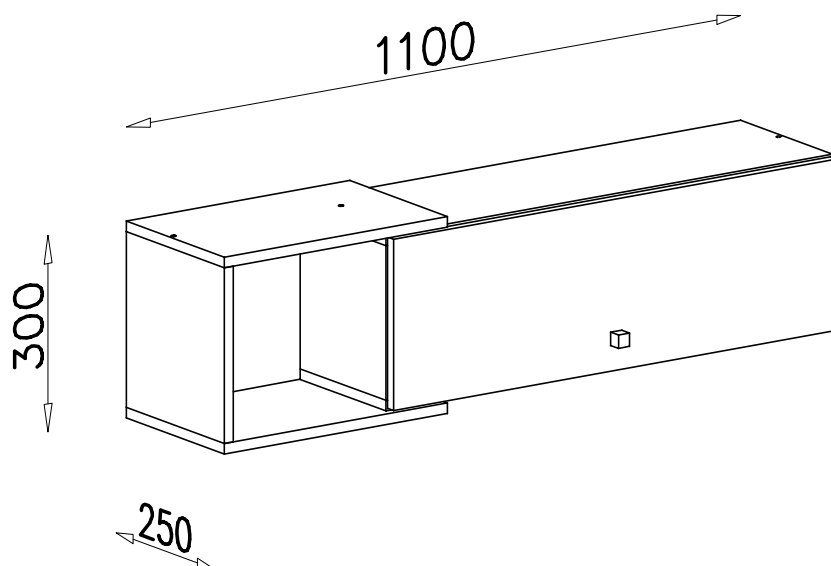
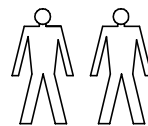
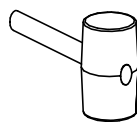
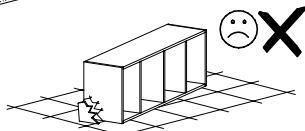
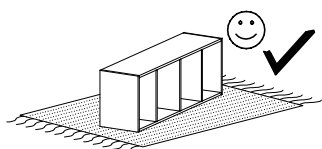
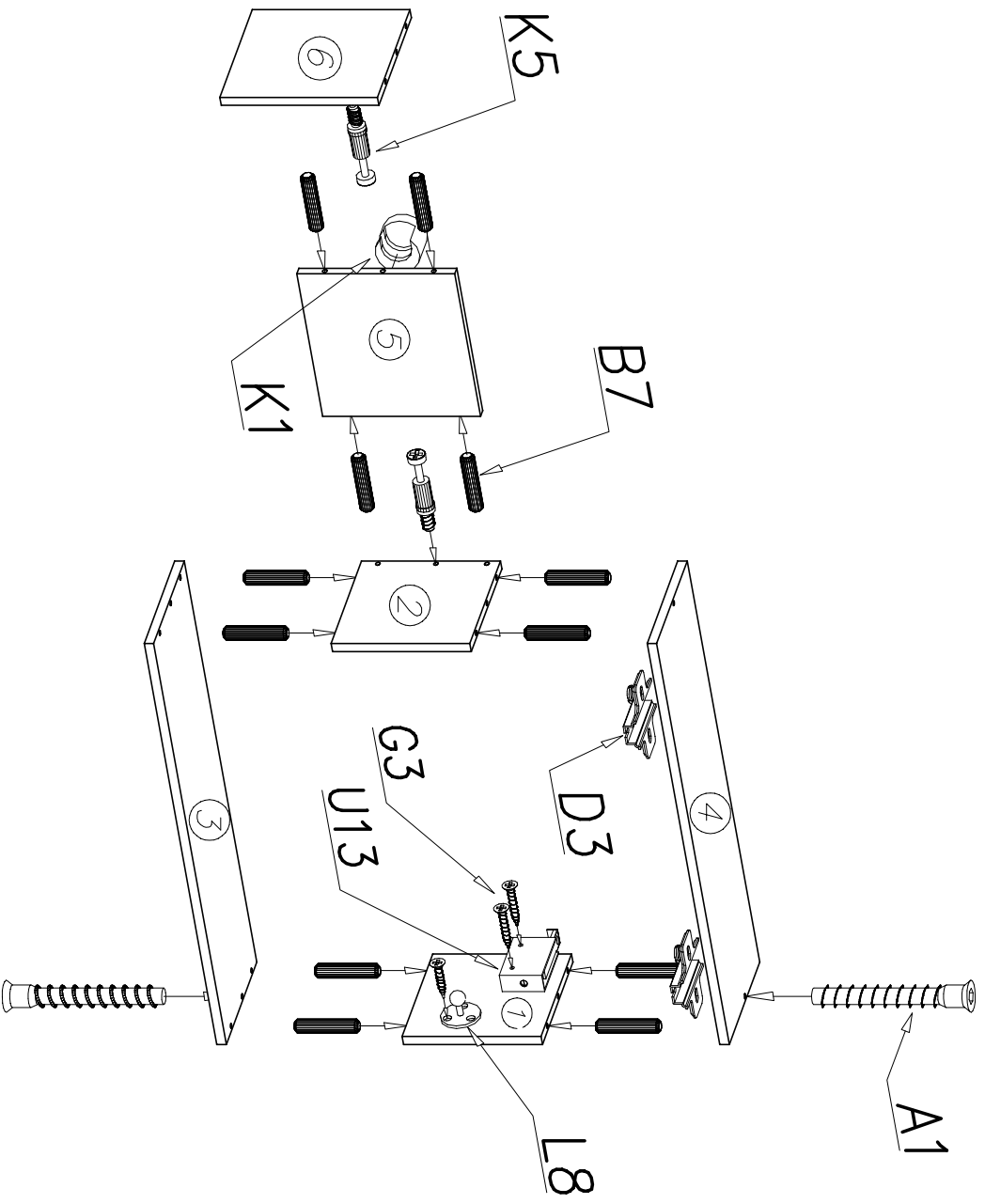


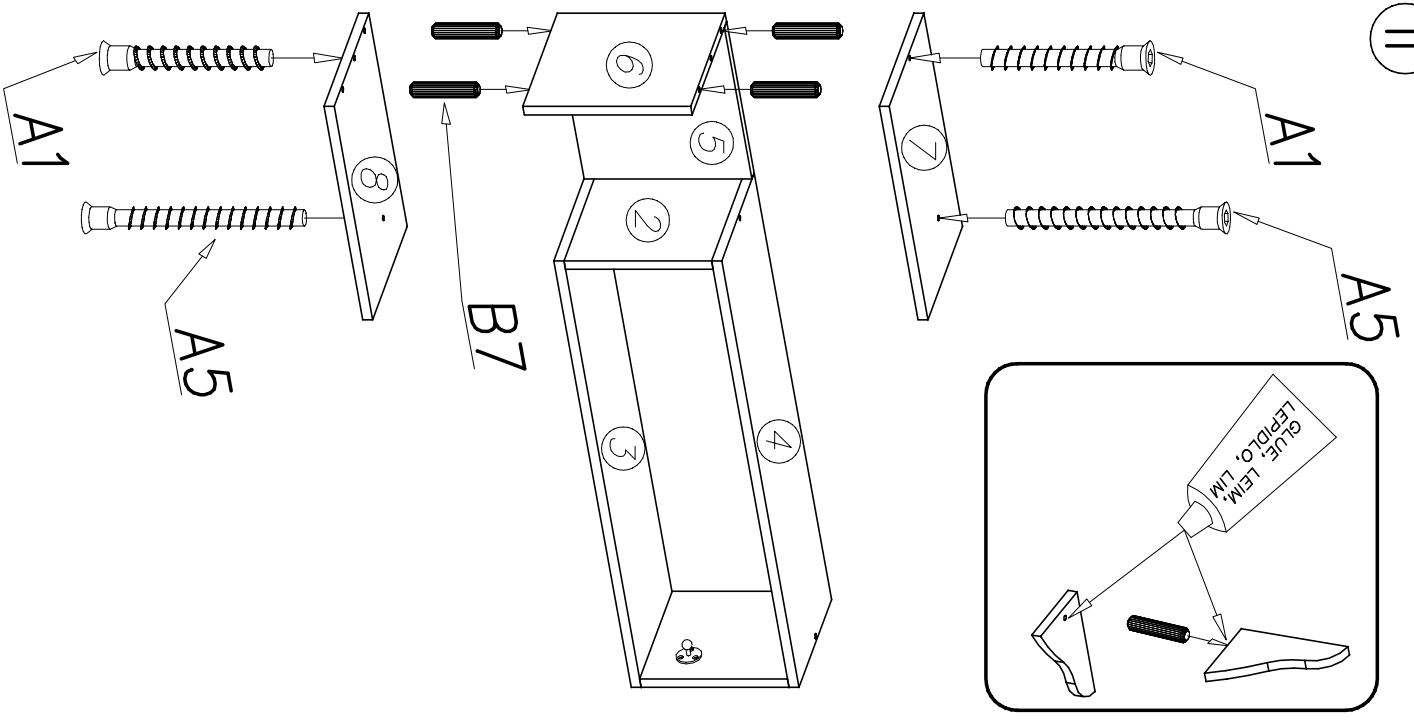
SIGMA SI13



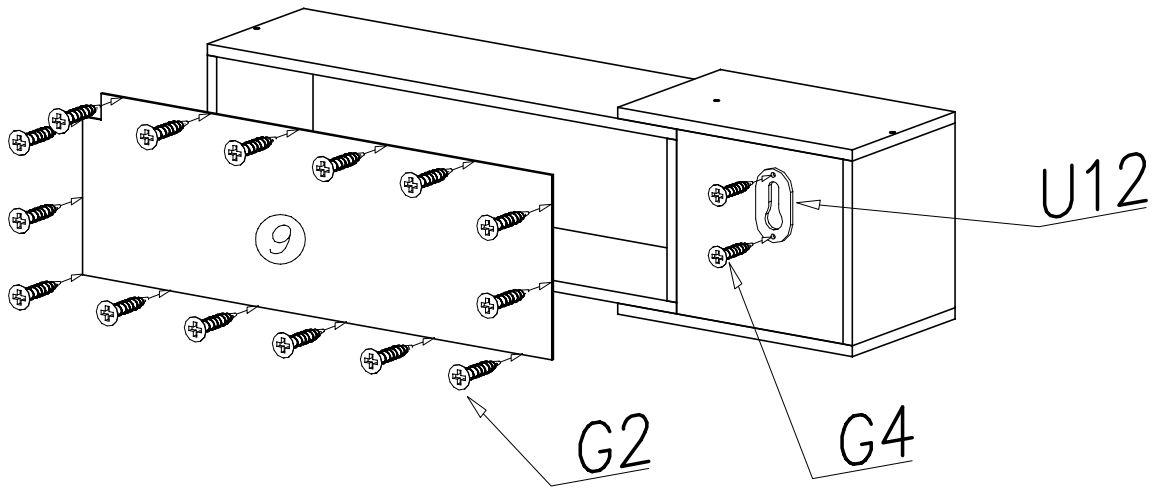
1



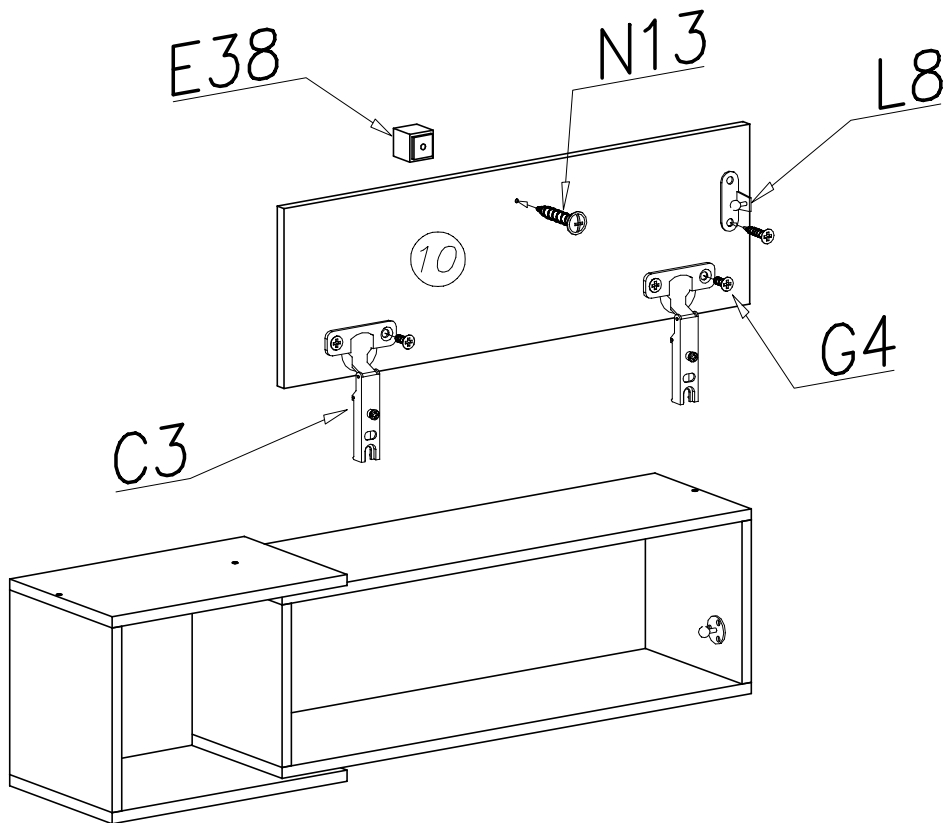
II



III



IV



V

