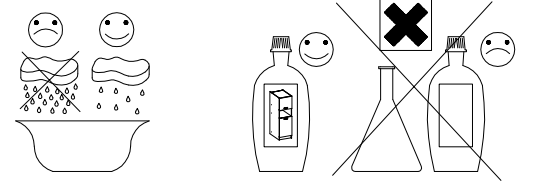
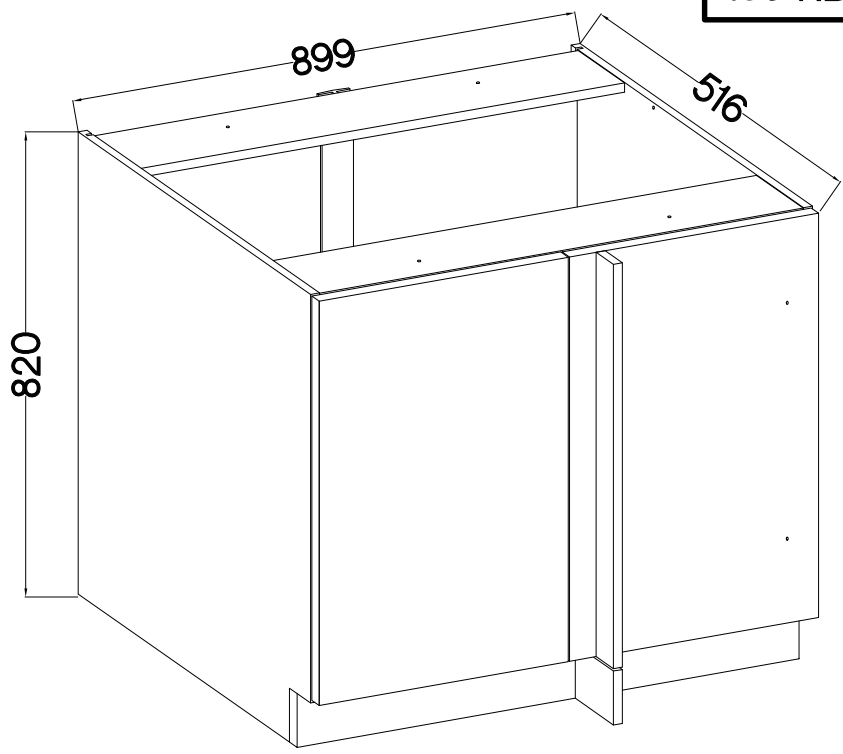
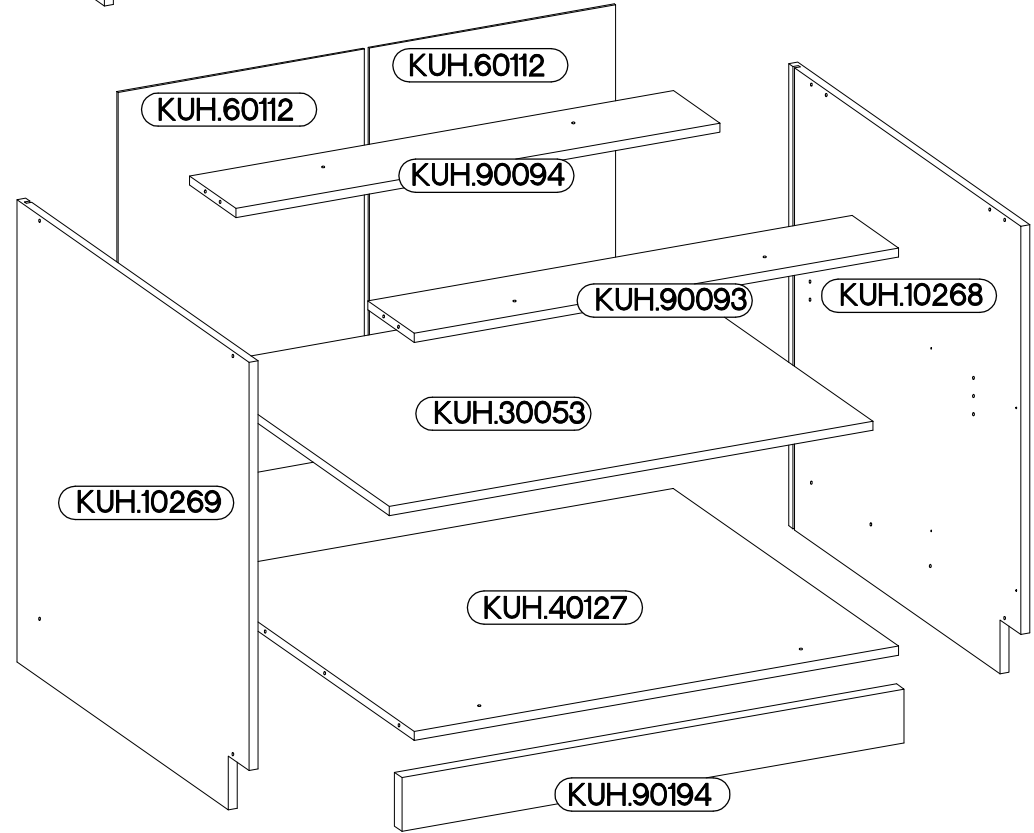
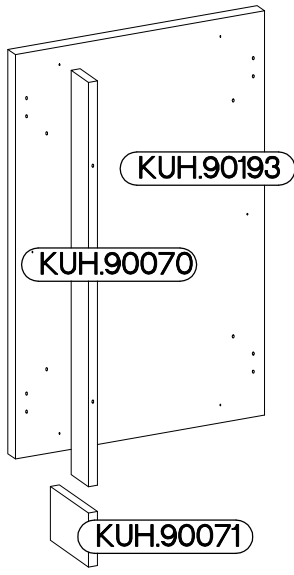
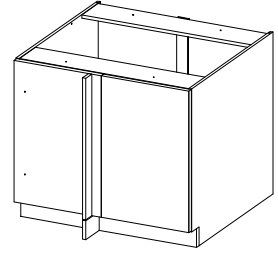


105 ND BB



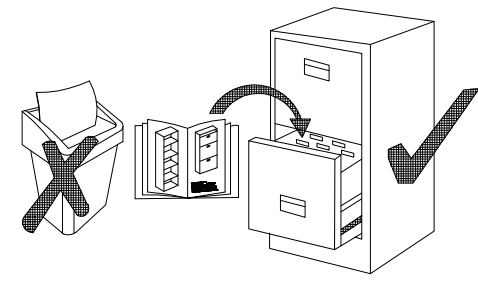
max. 10kg  
 KUH.30053  
 KUH.40127



±8x30mm A	6,4 x 50mm B	±6.4x35mm B1
8	8	2

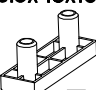
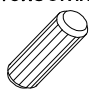
E1	E9	F2	HG6	J	L1	O
8	2	4	2	4	1	1

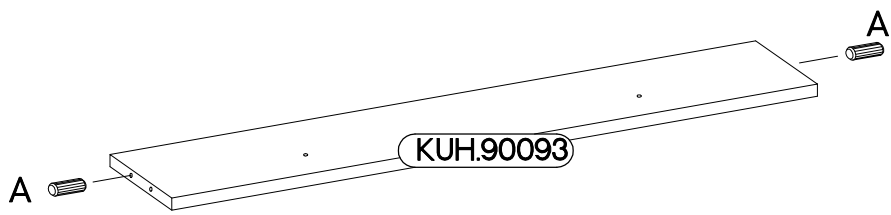
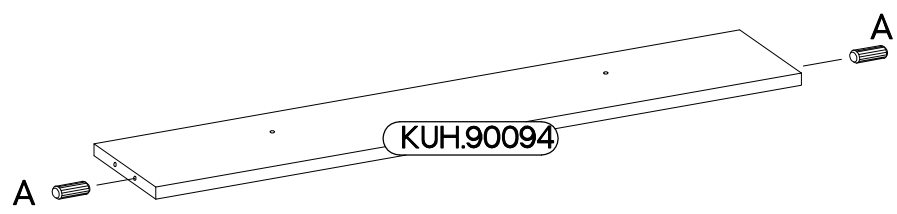
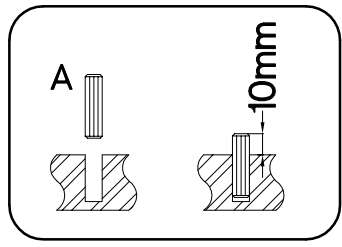
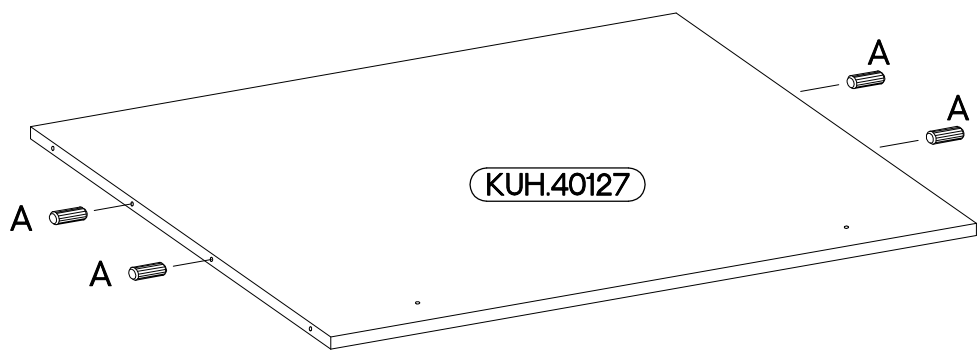
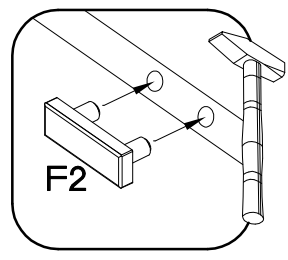
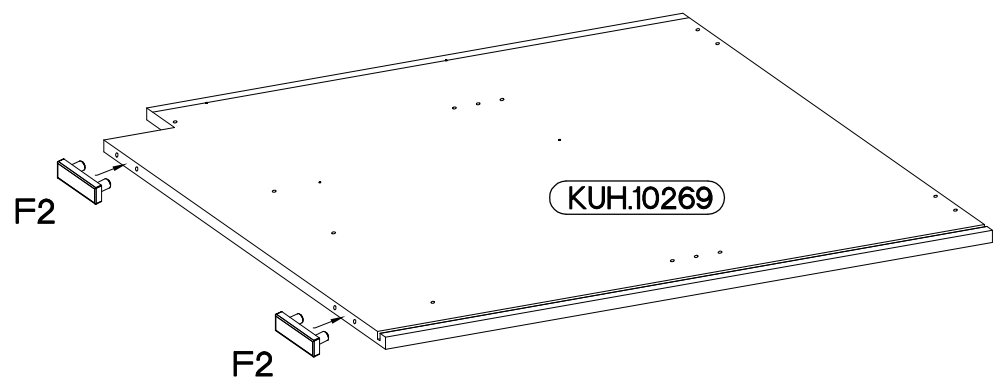
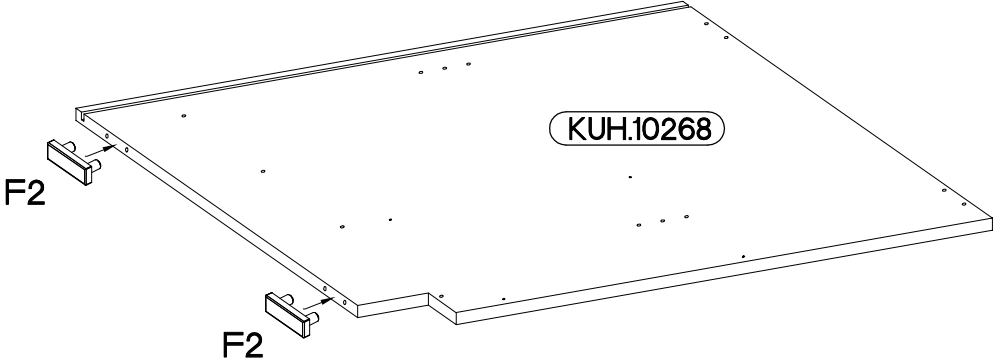
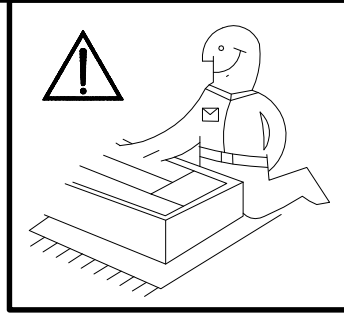
±4.0x16mm P1	±4.0x45mm P4	±3.5x13mm P5	±3.0x20mm P7	±4.0x35mm R3	T3	T10
10	2	12	15-20	4	5	2



ISM-KUH-01131

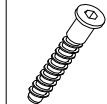
1

6.5x48x16  F2 4	+8x30mm  A 8
--	---



2

6,4 x 50mm



B

4



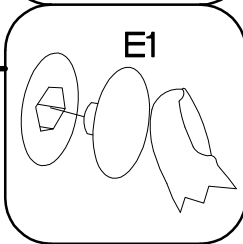
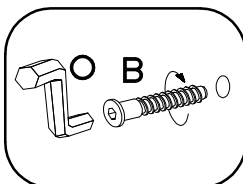
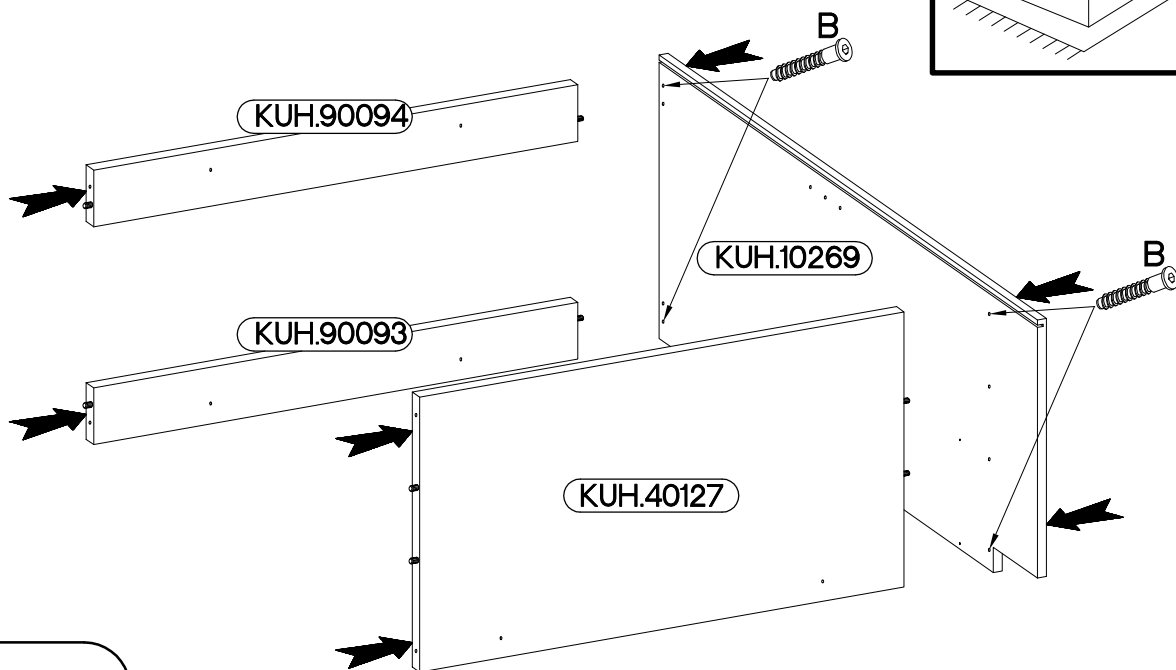
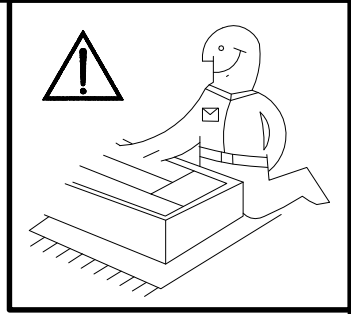
O

1

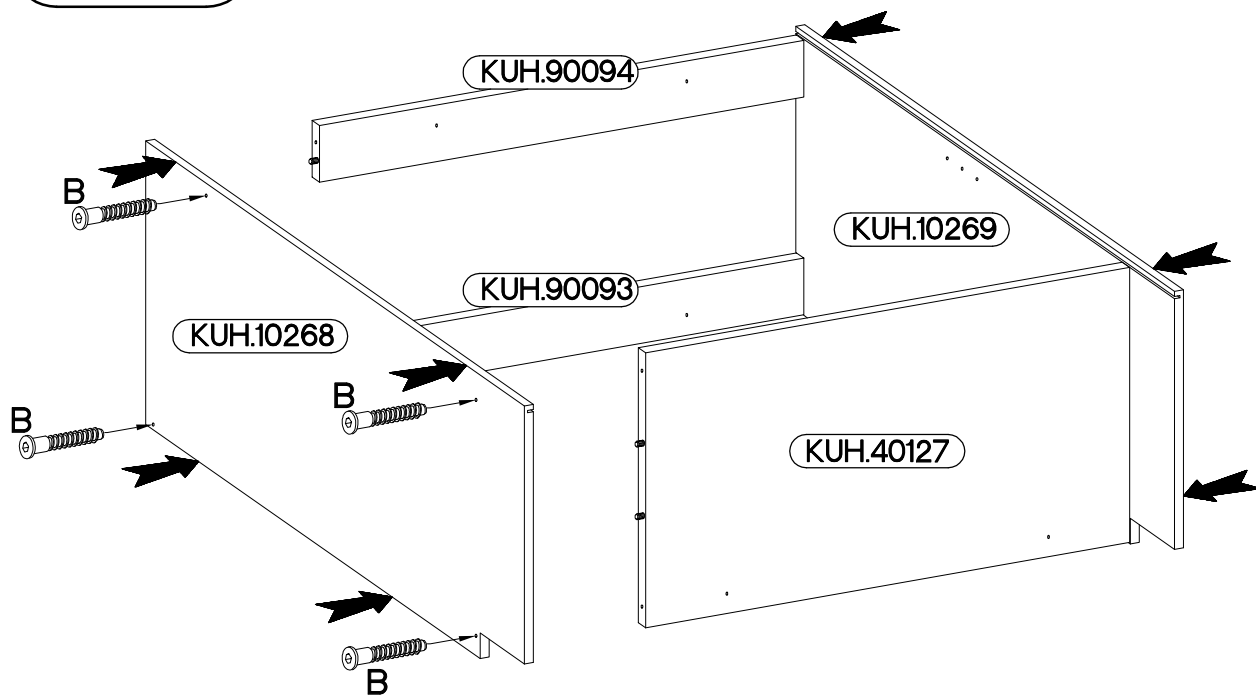


E1

4



3

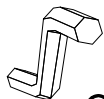


6,4 x 50mm



B

4



O

1




E1

4

4 1 4

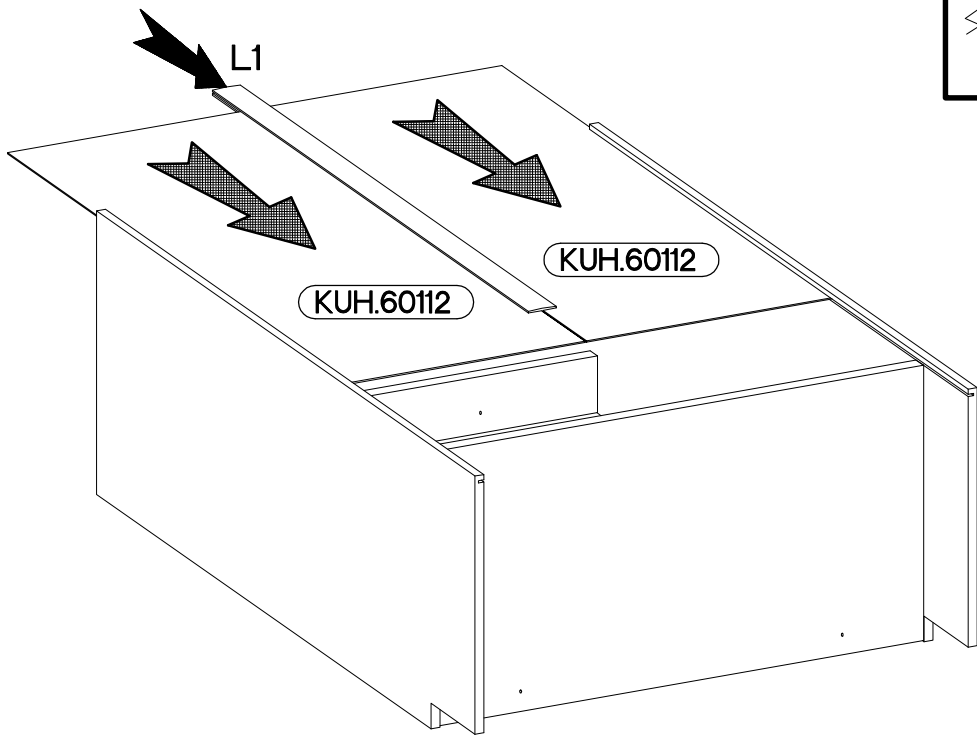
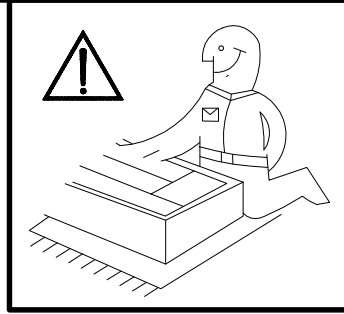
4

L1=680mm




L1

1



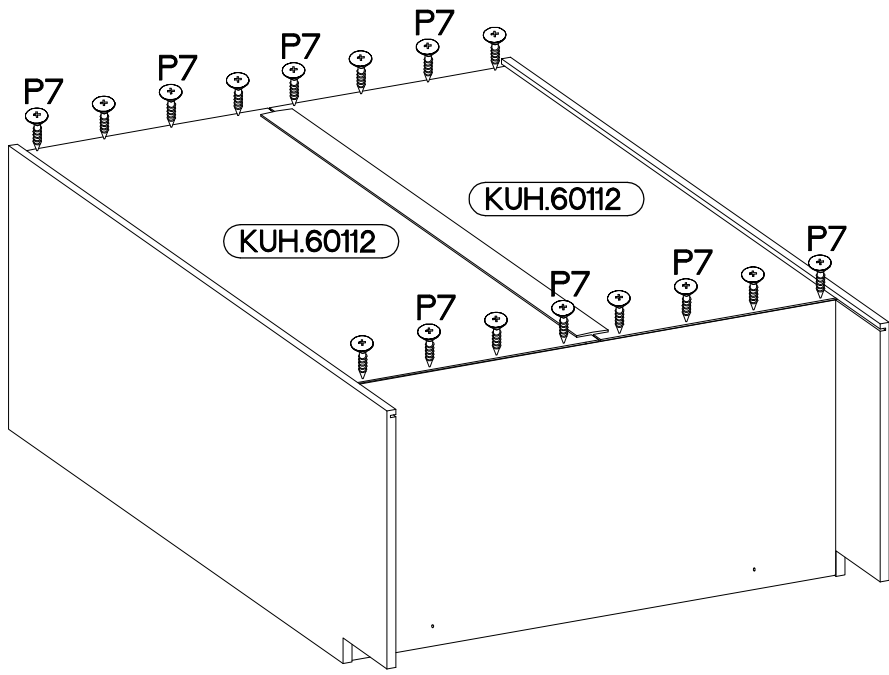
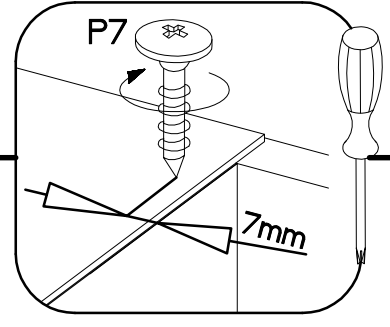
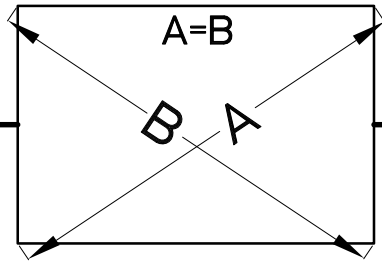
5

3.0x20mm





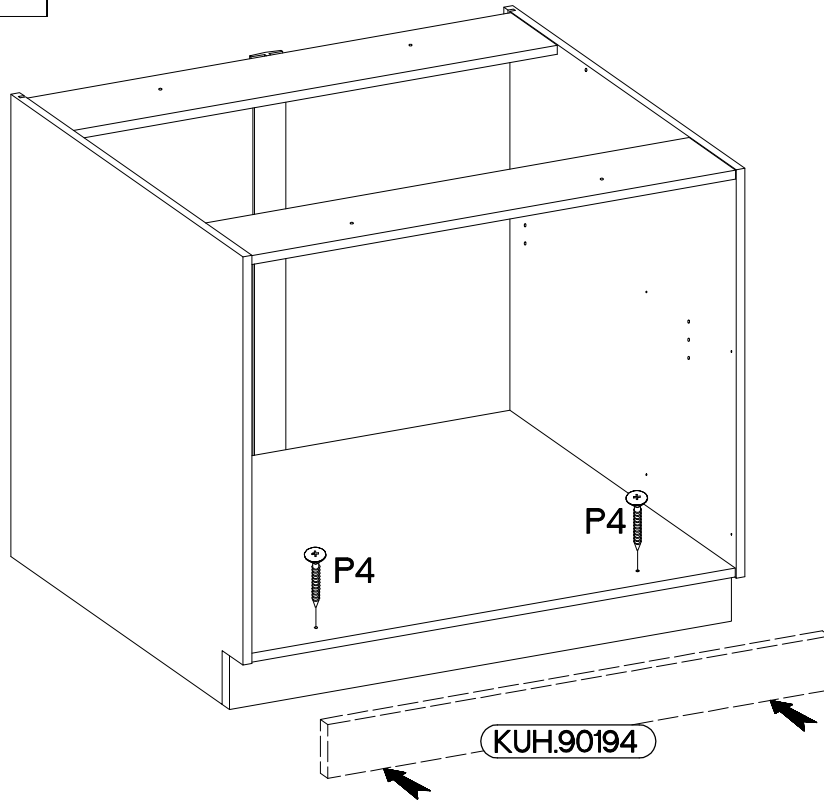
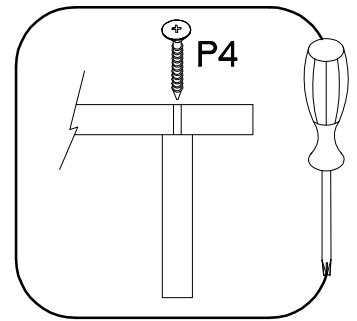
P7

15-20

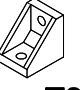

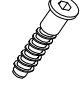
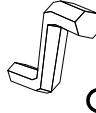


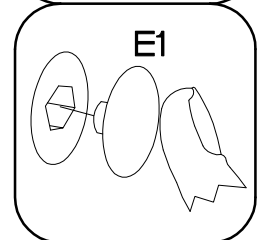
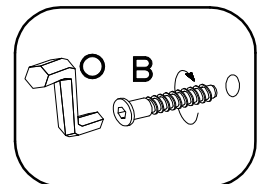
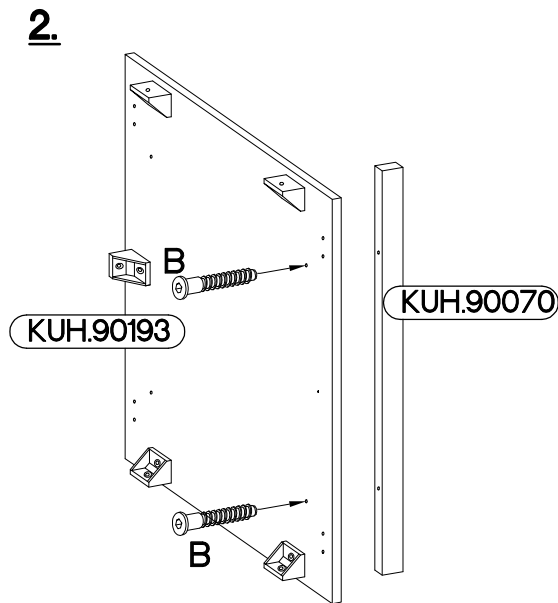
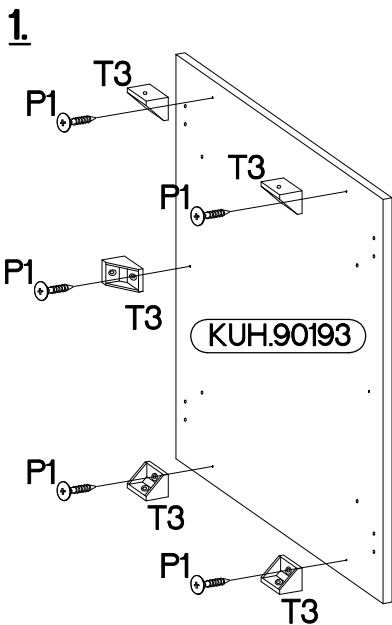
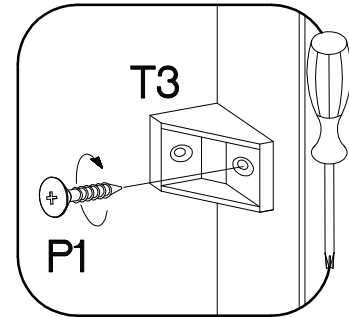
6

$\pm 4.0 \times 45 \text{mm}$  P4 2	 E9 2
--	---

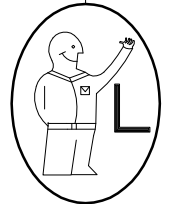
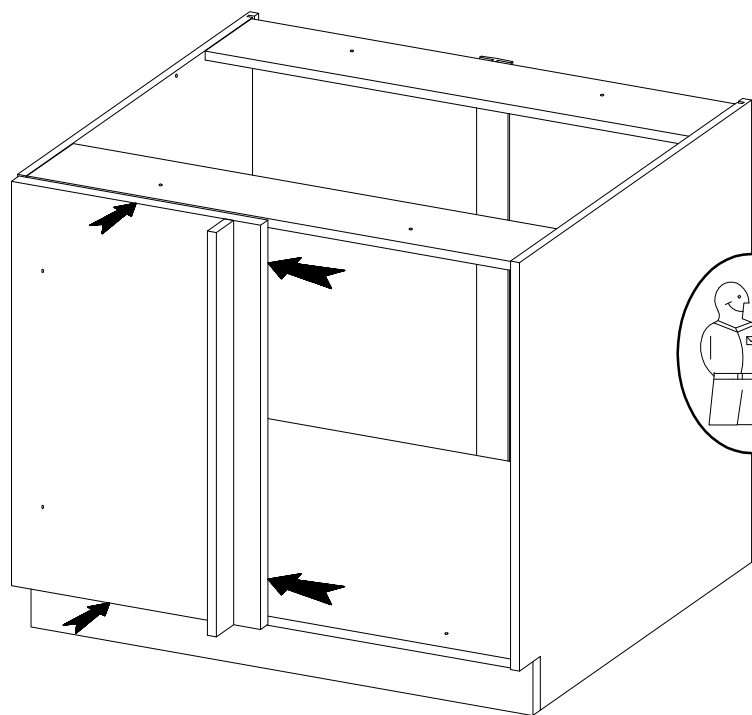
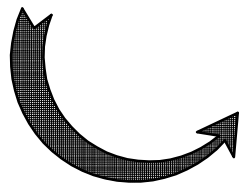
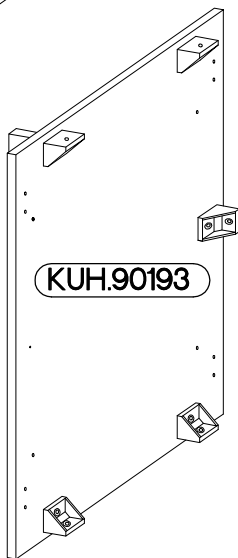
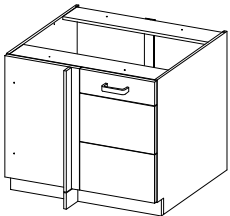
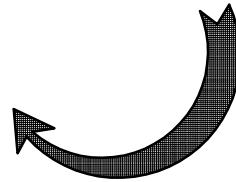
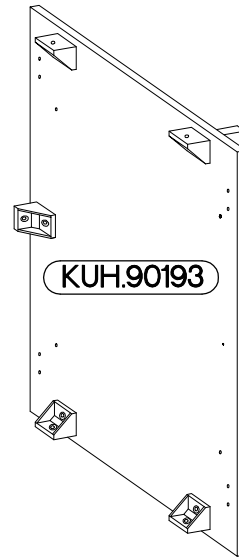
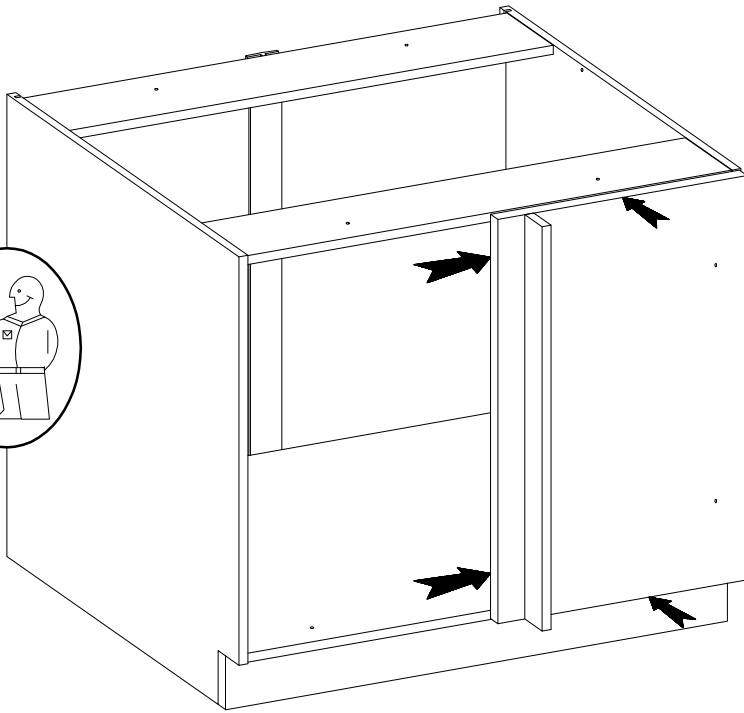
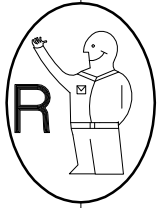
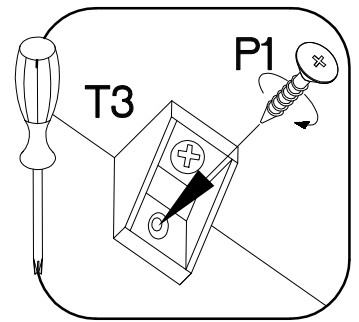
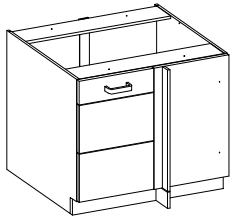


7

 T3 5	$\pm 4.0 \times 16 \text{mm}$  P1 5	$\pm 6.4 \times 35 \text{mm}$  B1 2	 O 1
--	---	---	---




4.0x16mm  
P1  
5



9

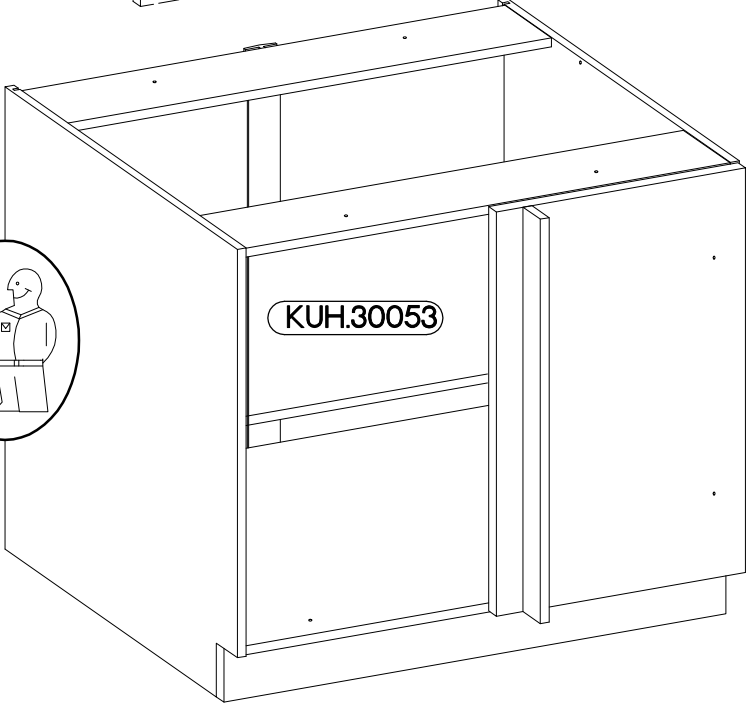
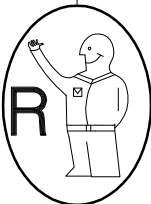
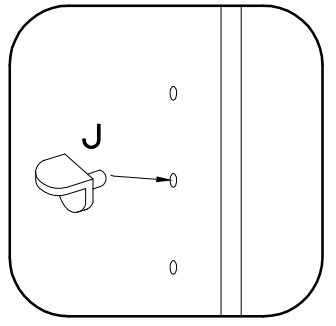
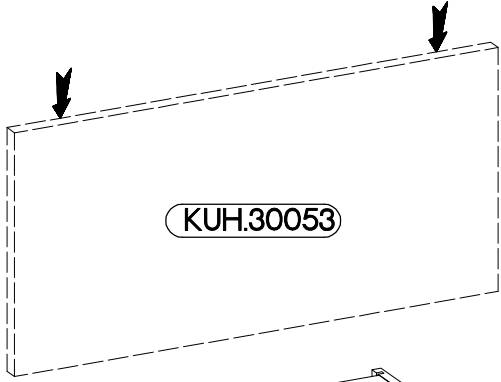
±5/19mm



J


---

4



10

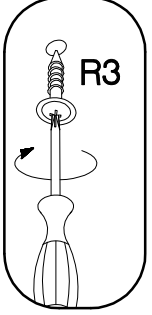
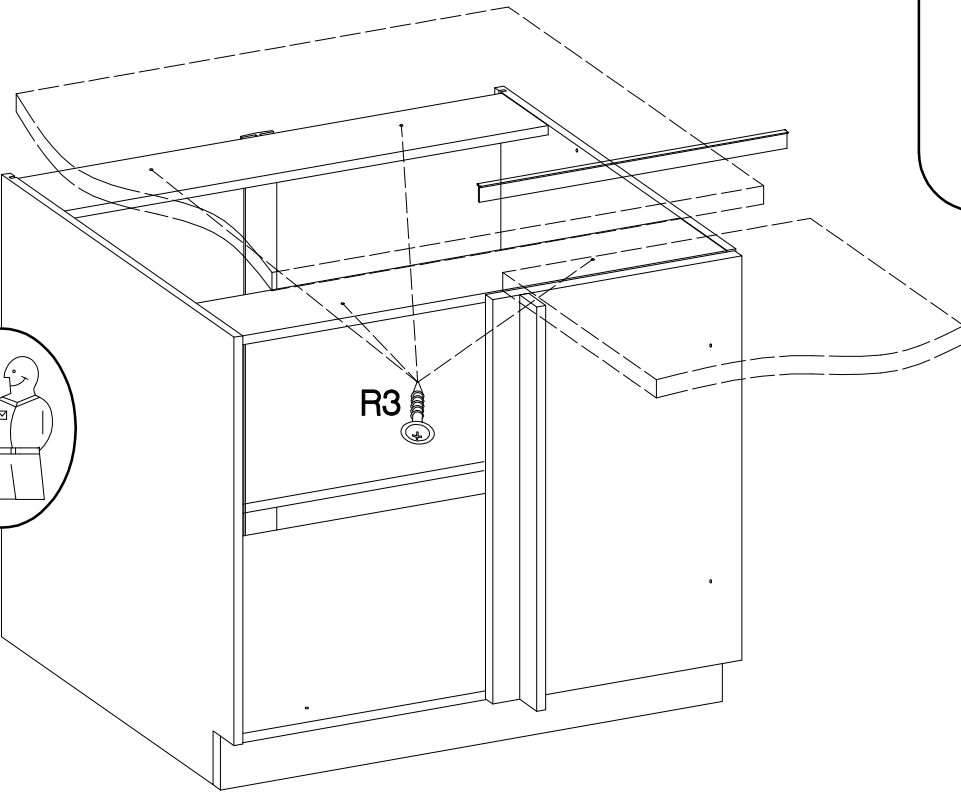
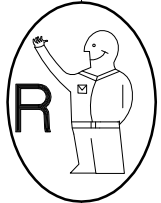
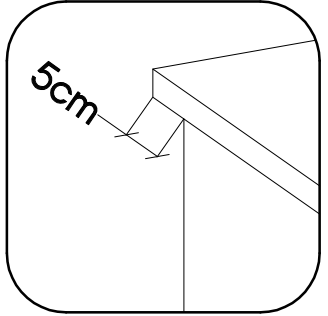
±4.0x35mm





R3

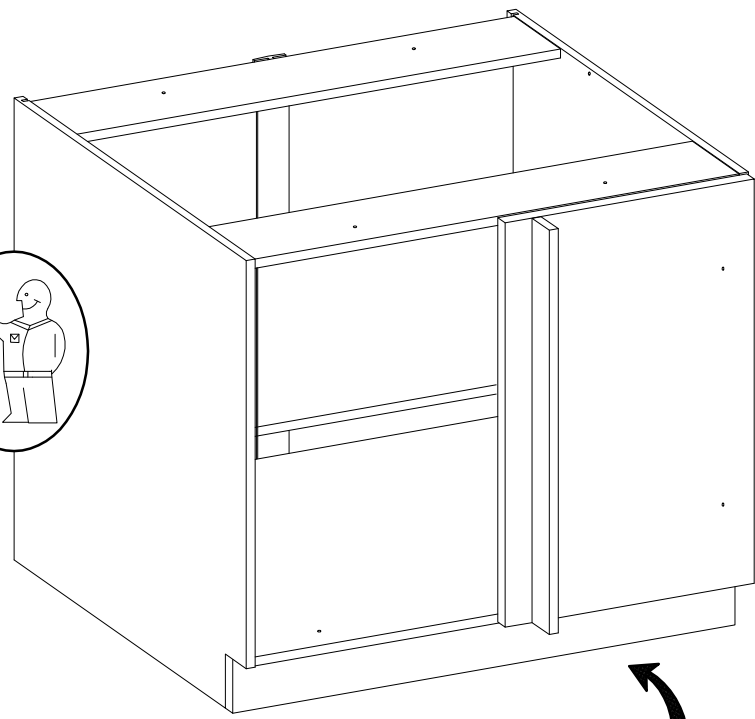
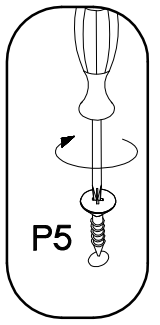
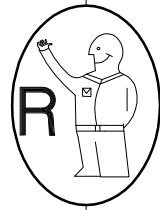
---

4

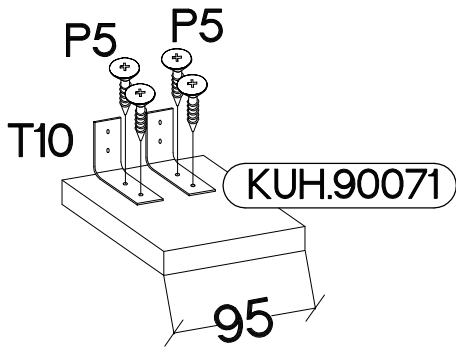


11

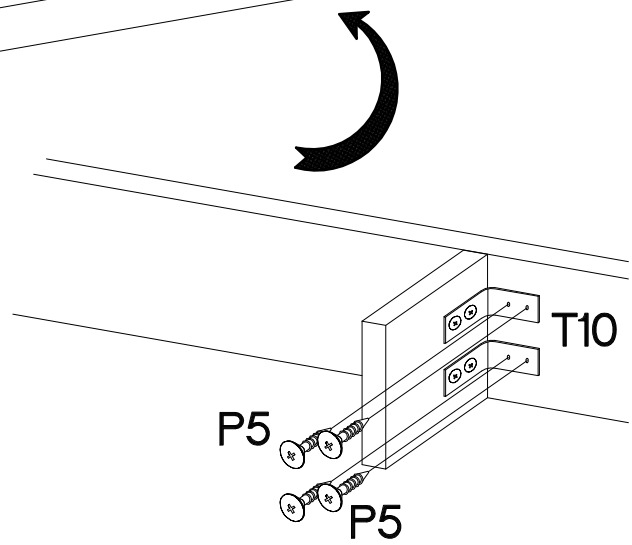
	$\pm 3.5 \times 13 \text{mm}$ 
T10	P5
2	8



1.



2.



12

FRONT

