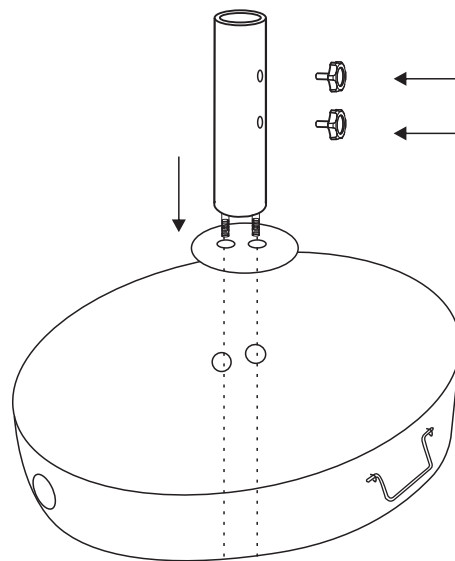
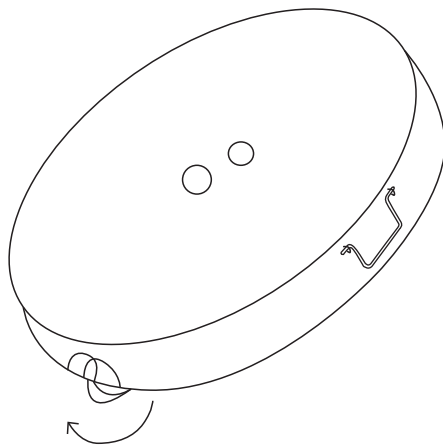
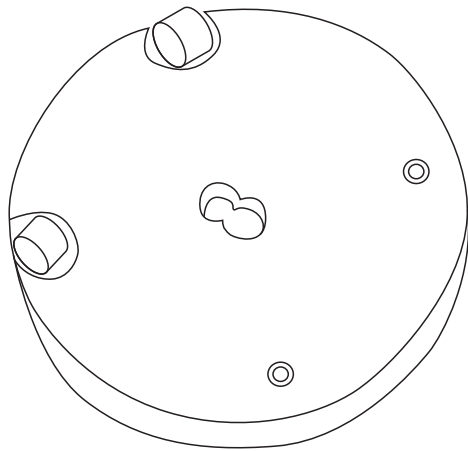


Umbrella Base Assembly Instructions



← Umbrella
← securing bolts

*Fix Support Tube
to Base using
Nuts & Washers*