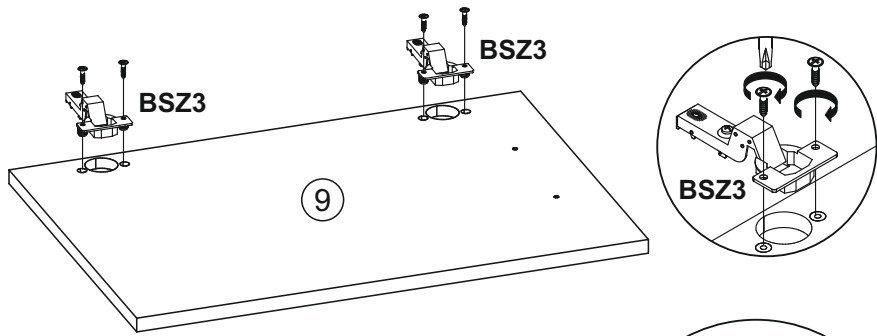
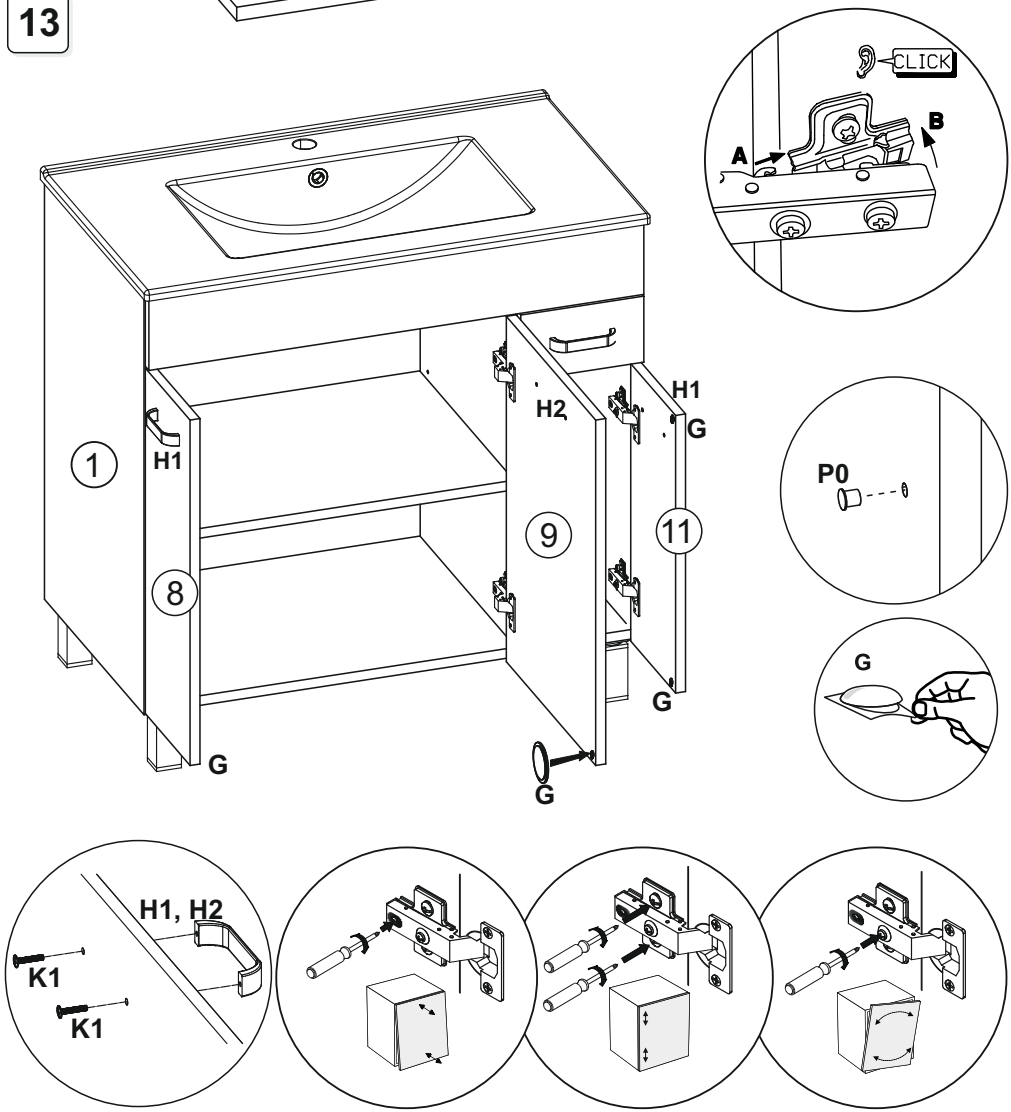


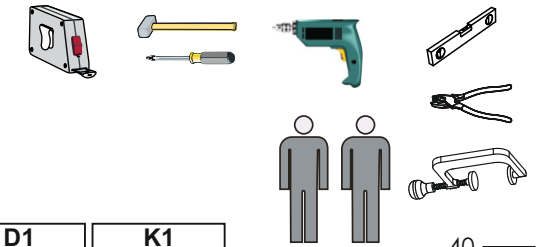
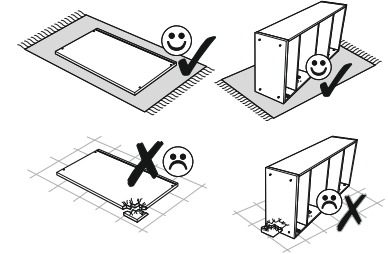
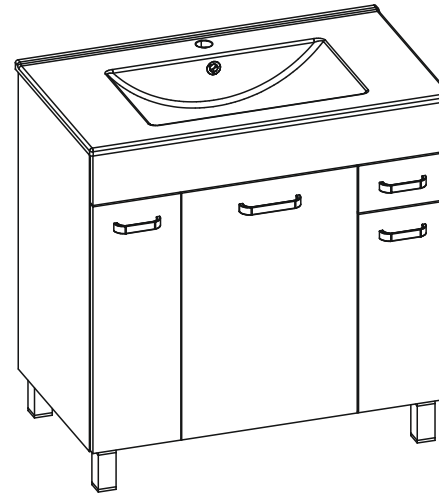
12



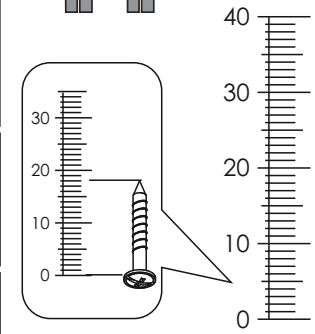
13



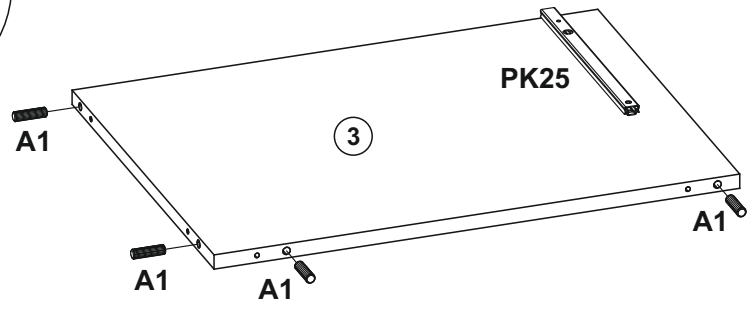
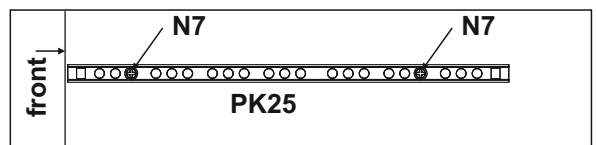
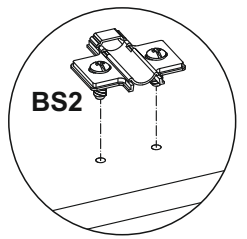
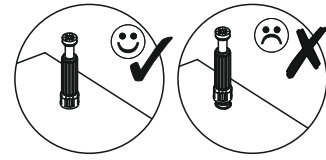
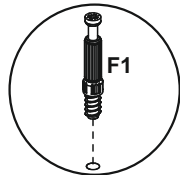
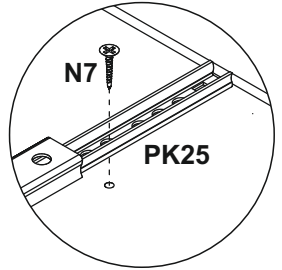
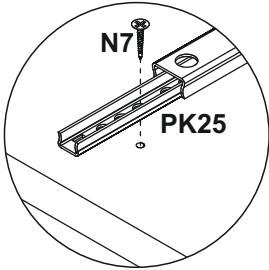
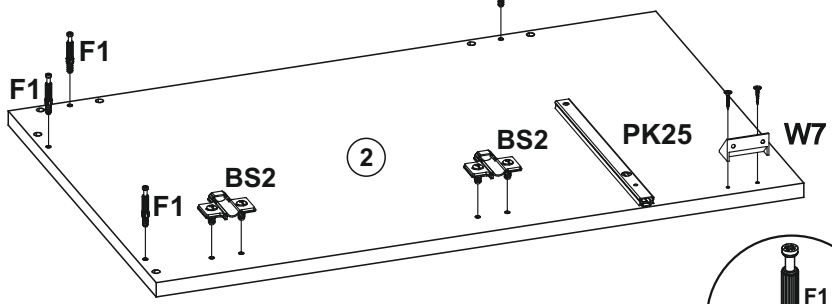
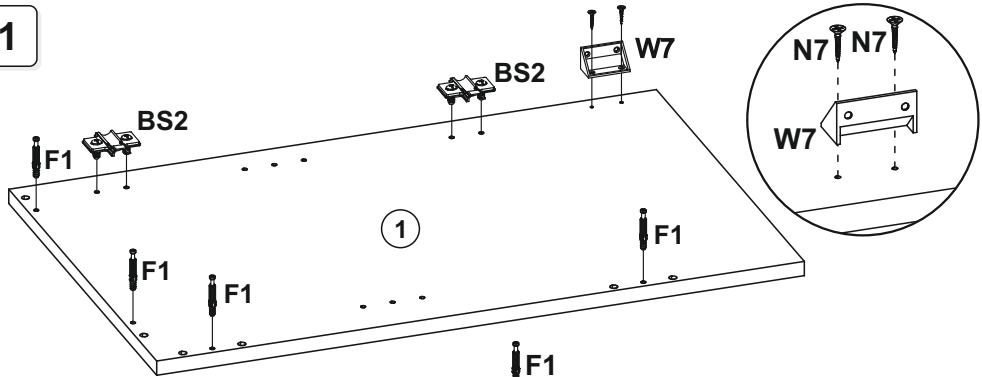
80 3D-1S



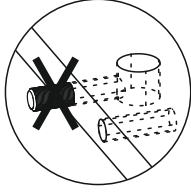
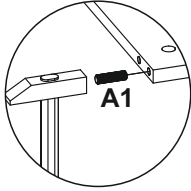
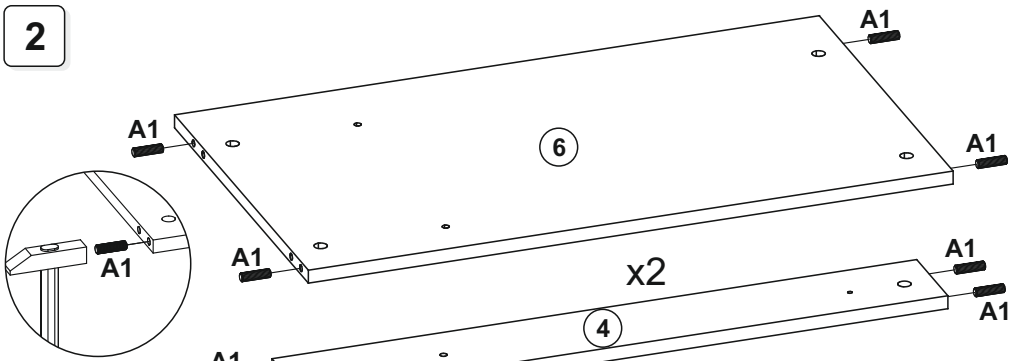
<b>A1</b> 8x32 x 16	<b>F1</b> x 8	<b>E1</b> x 8	<b>D1</b> x 4	<b>K1</b> M4x22 x 8
<b>BS2</b> H=2 x 6	<b>BSZ0</b> KR=0 x 4	<b>BSZ3</b> KR=15 x 2	<b>N5</b> US3,5x16 x 18	<b>O13</b> x 4
<b>W7</b> x 2	<b>N7</b> US3,5x12 x 12	<b>W1</b> x 1	<b>G</b> x 8	<b>L</b> Glue x 1
<b>P0</b> x 8	<b>K10</b> M4x9 x 2	<b>PK25</b> x 2	<b>G1</b> x 4	<b>M</b> x 1
				<b>H1</b> L-96 x 3
				<b>H2</b> L-128 x 1



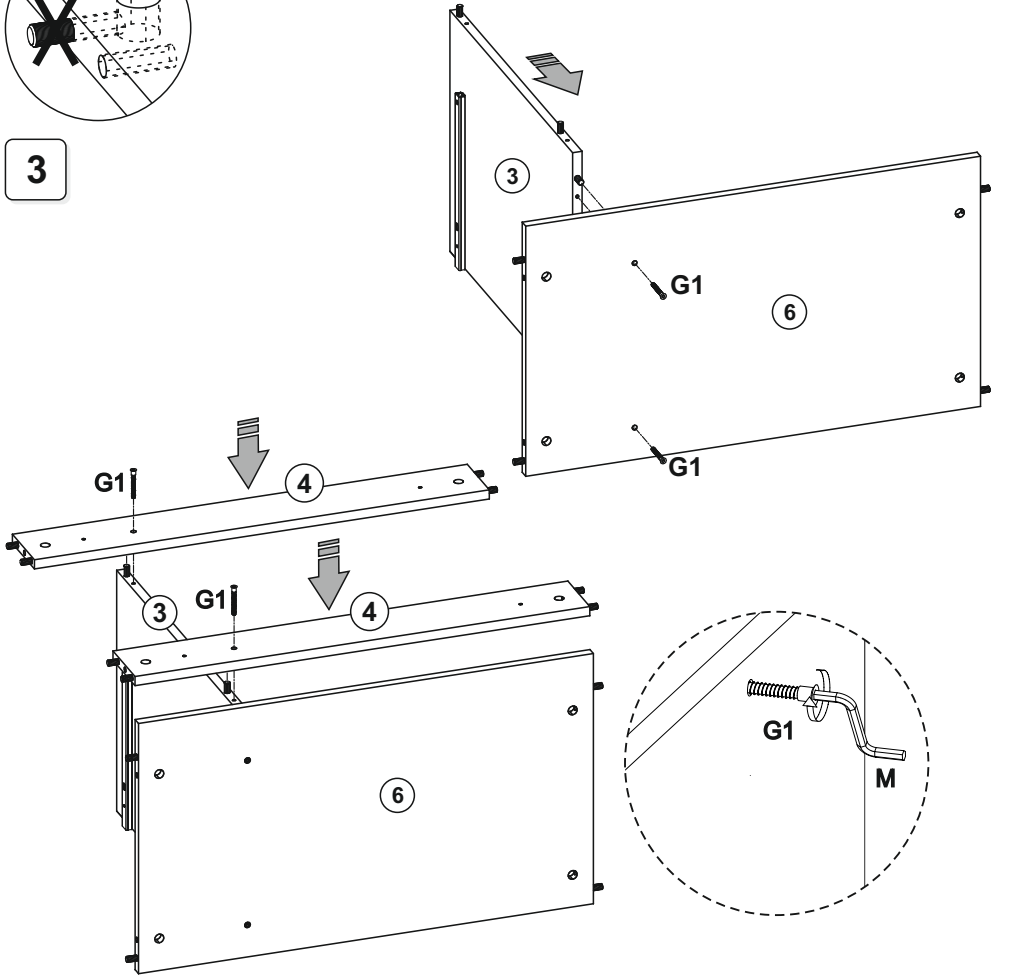
1



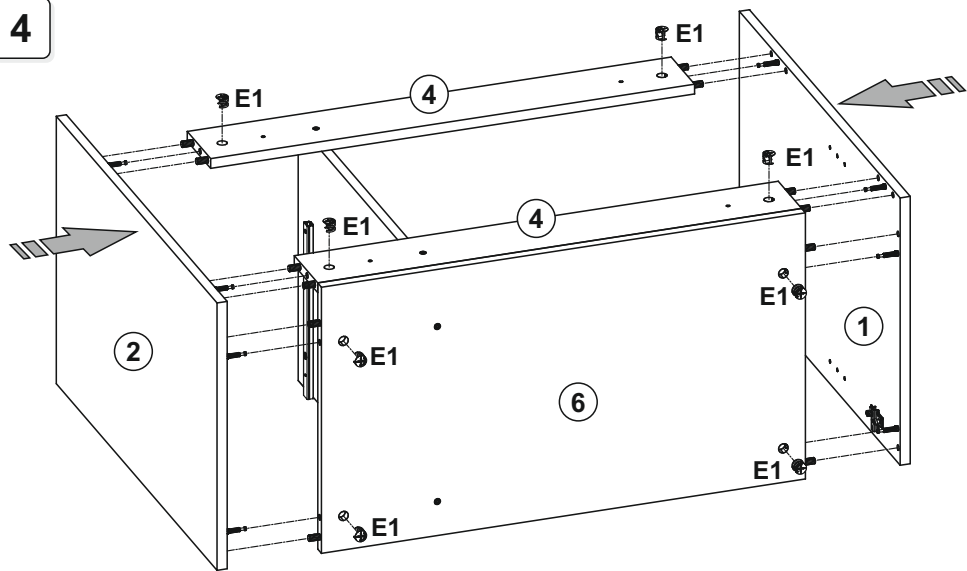
2



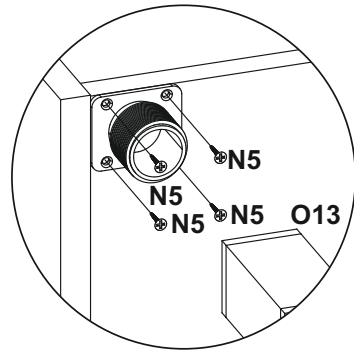
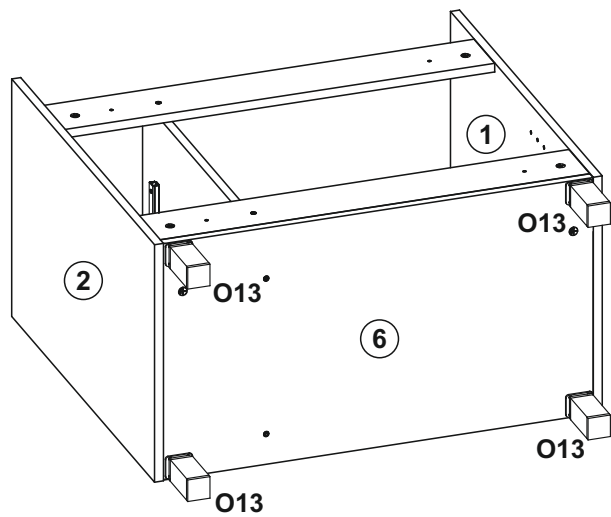
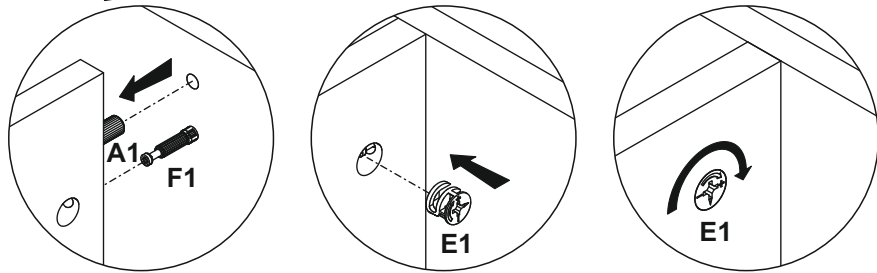
3



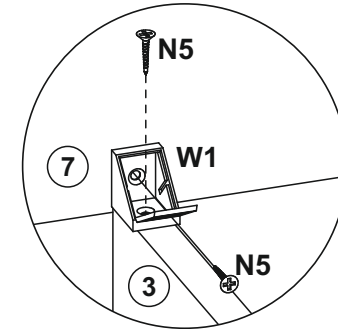
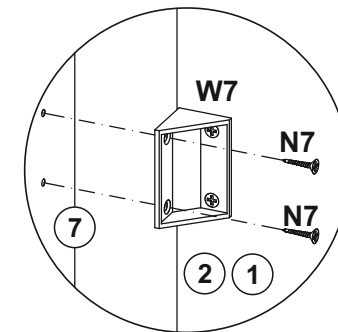
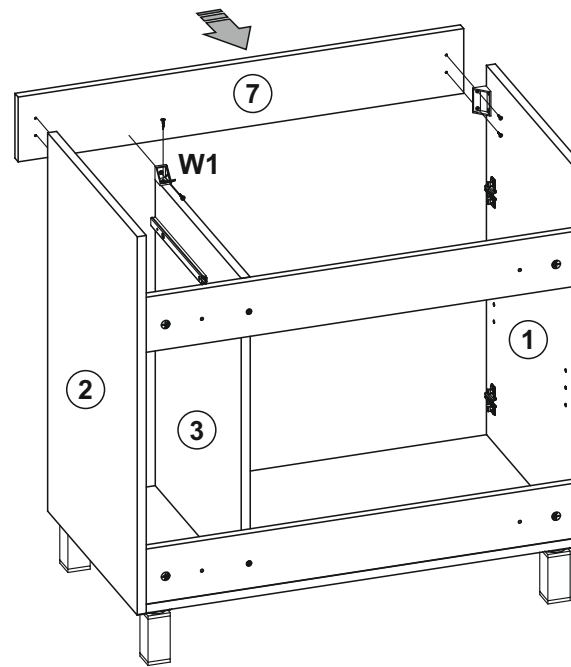
4



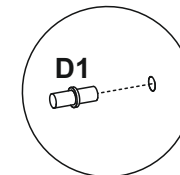
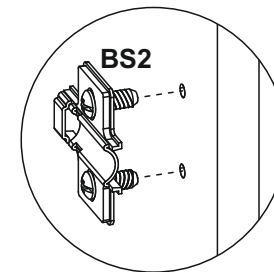
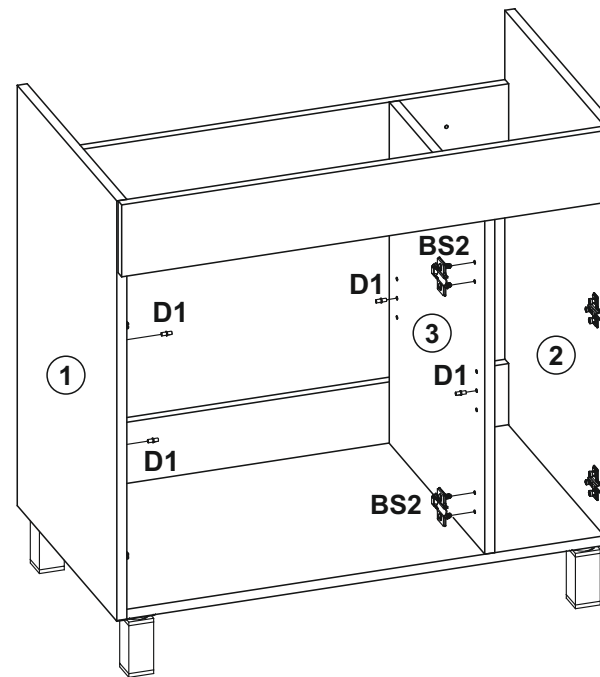
5



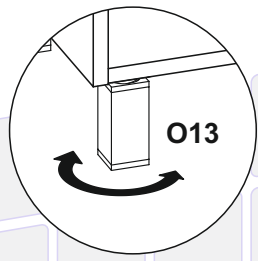
6



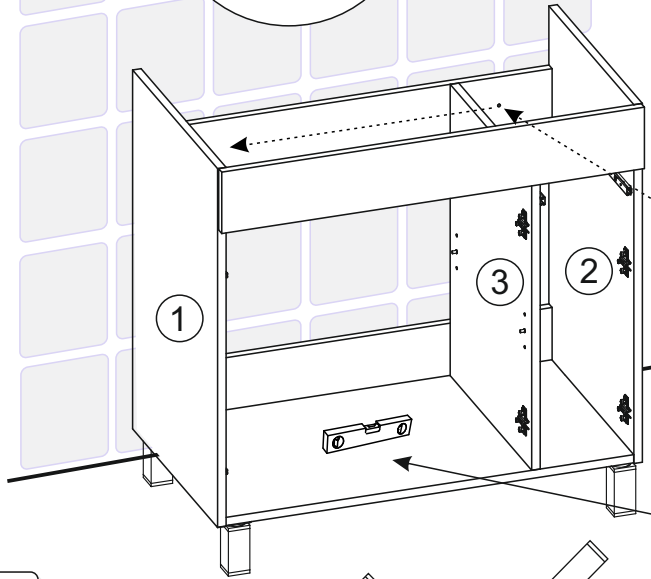
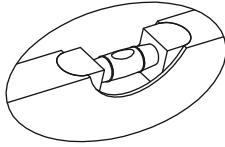
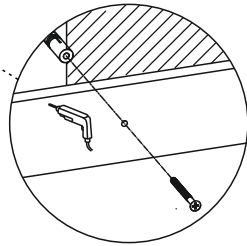
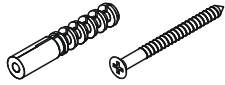
7



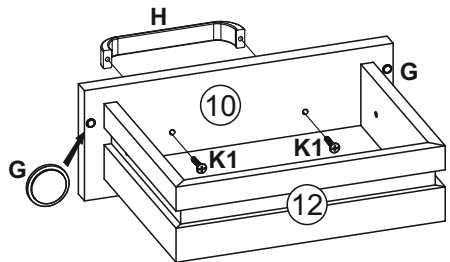
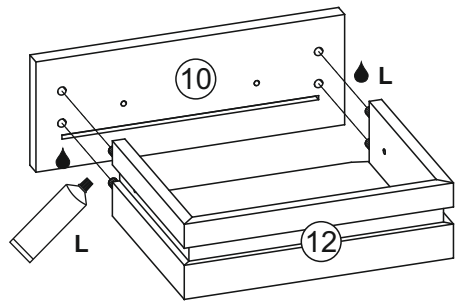
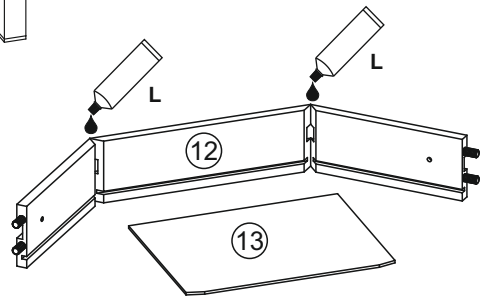
8



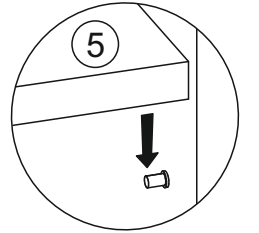
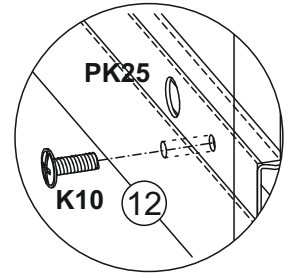
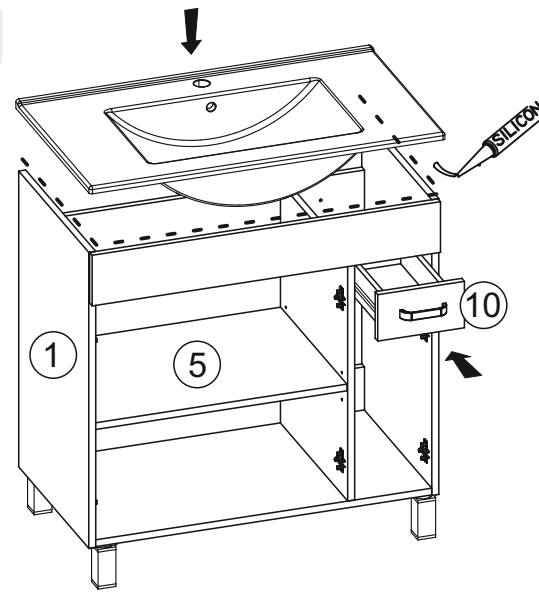
x2



9



10



11

