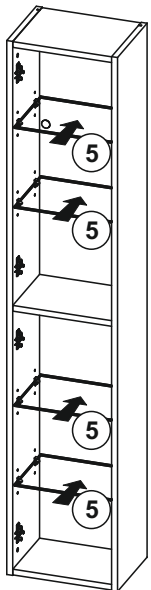
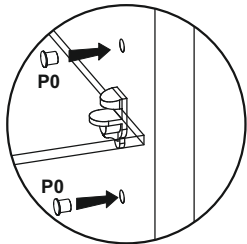
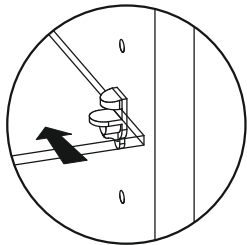
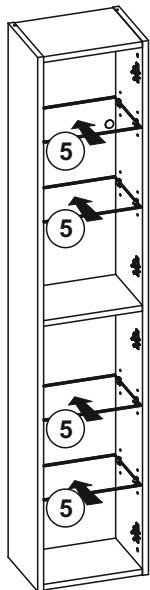
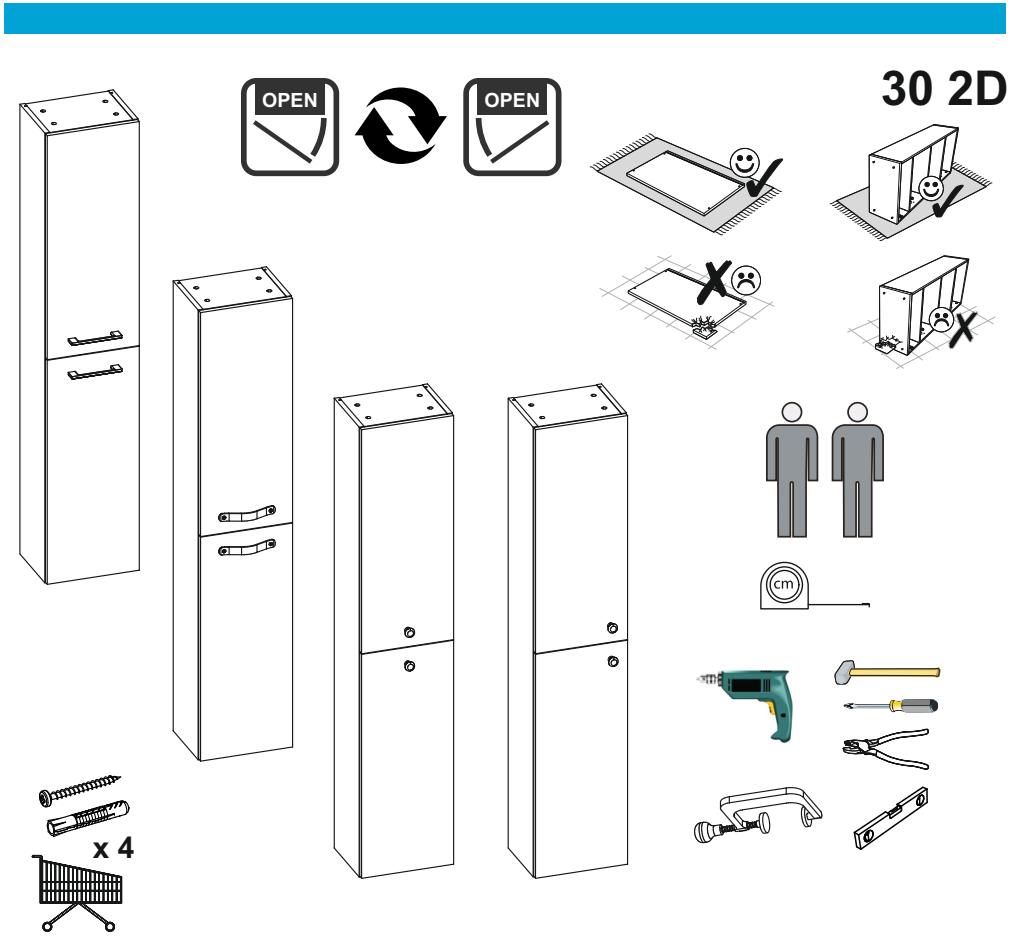
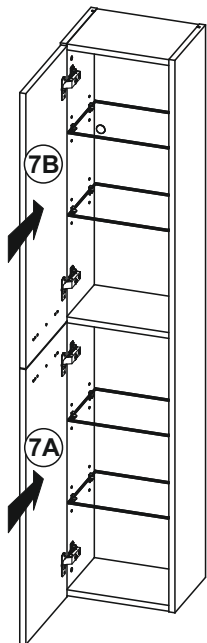
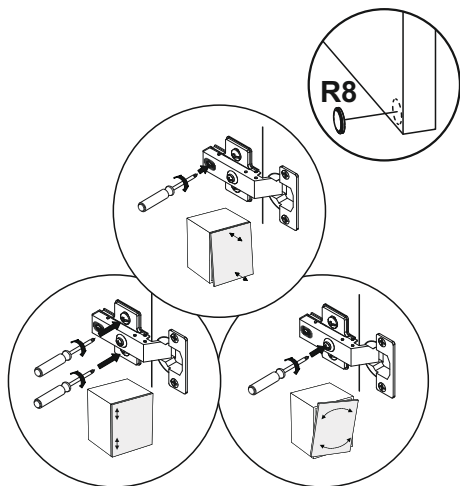
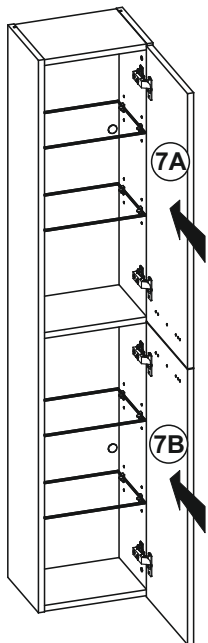
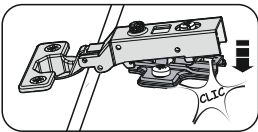
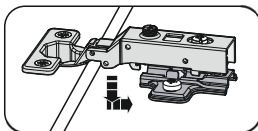








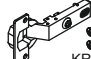



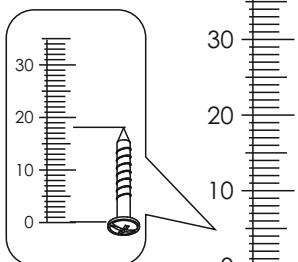







15

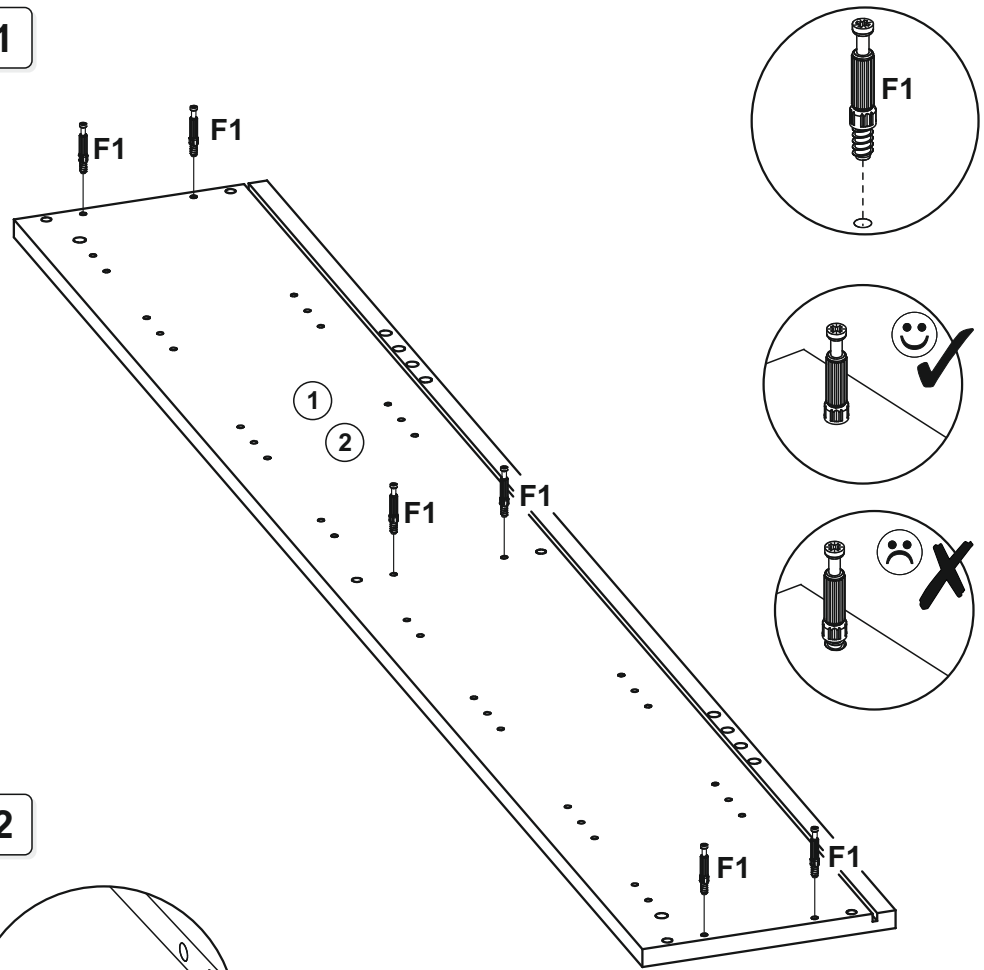


16

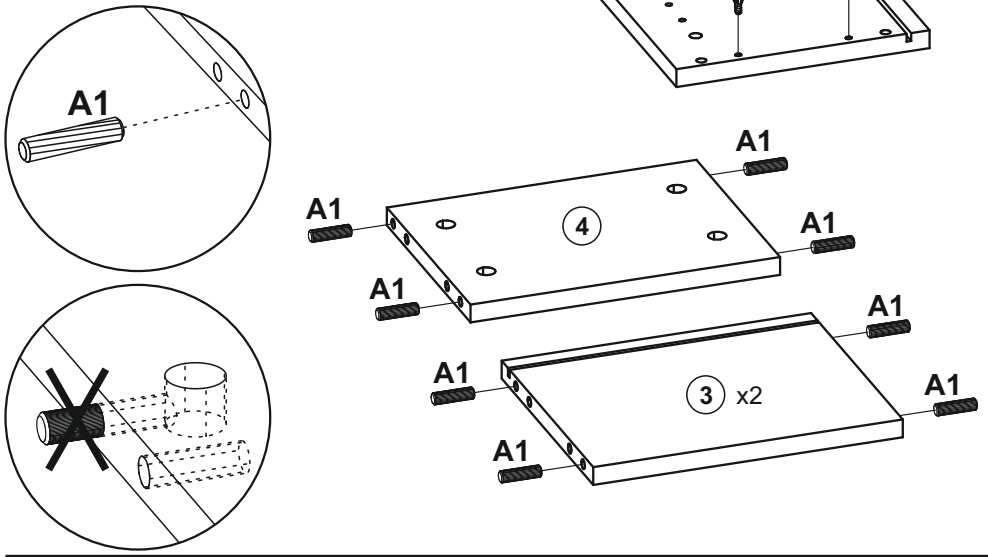


K1	A1	G7	E1	E0	H	P3
 M4x20 x 4	 8x32 x 12	 x 1	 x 12	 x 12	 x 2	 ø10 x 4
 H=2 x 4	 KR=0 x 4	 x 16	 x 12	 L+P x 1		
 x 62	 ø18 x 2	 x 2	 x 4	 x 4		

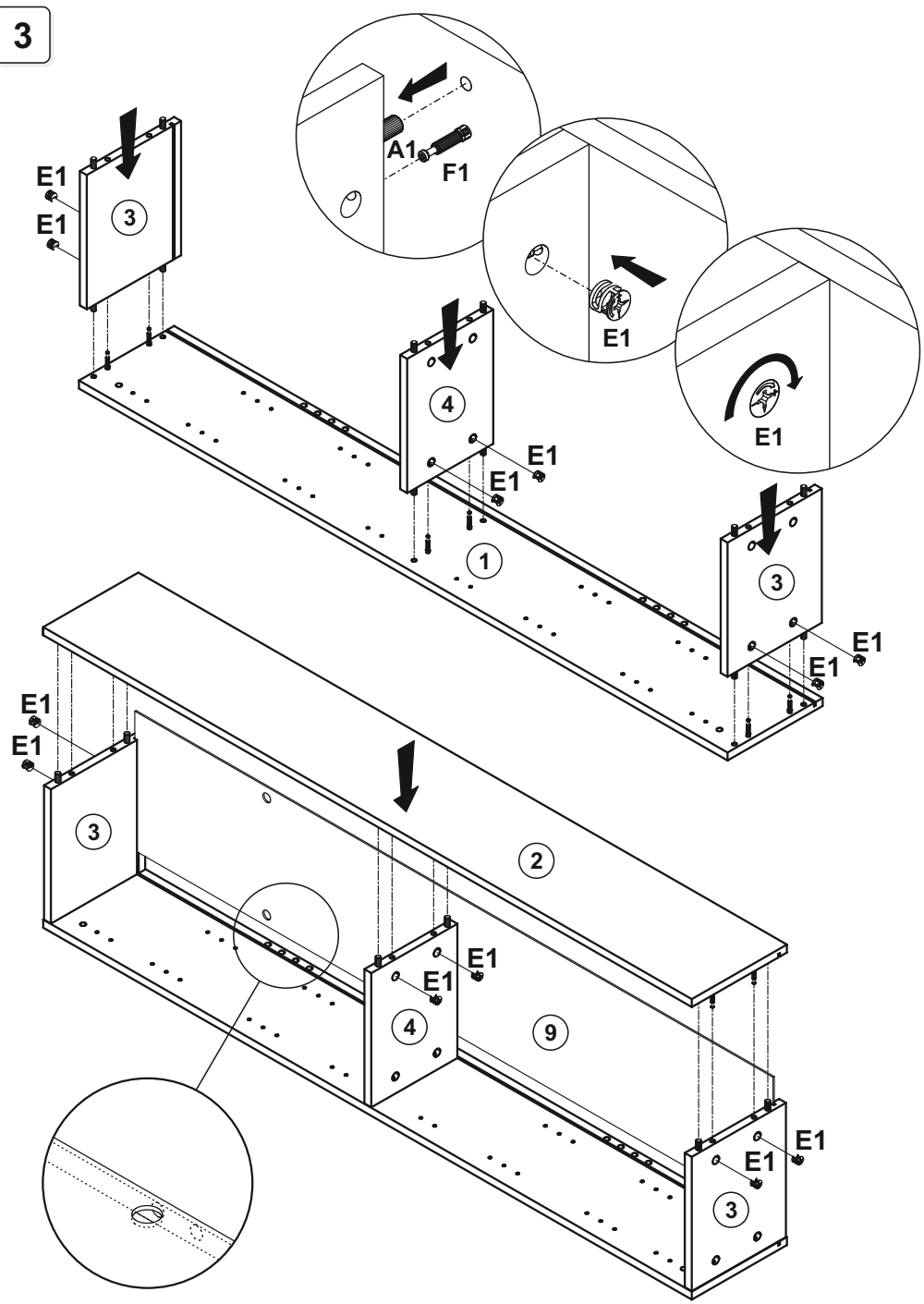
1



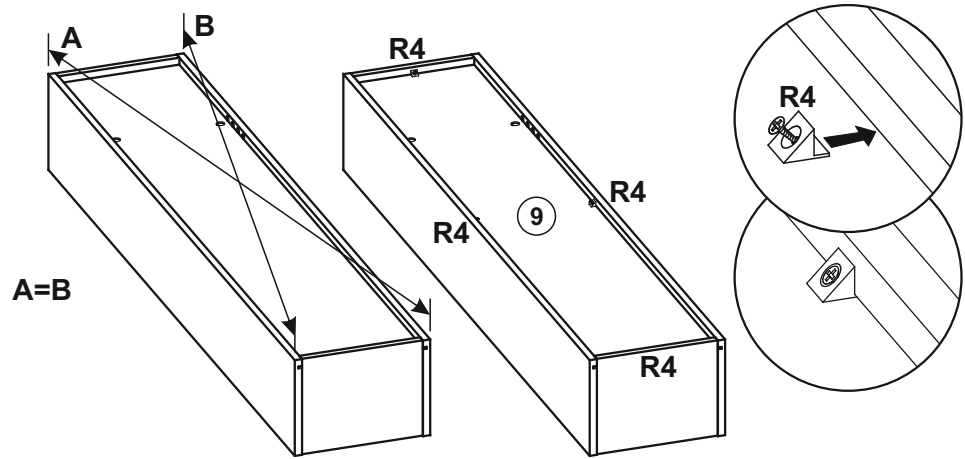
2



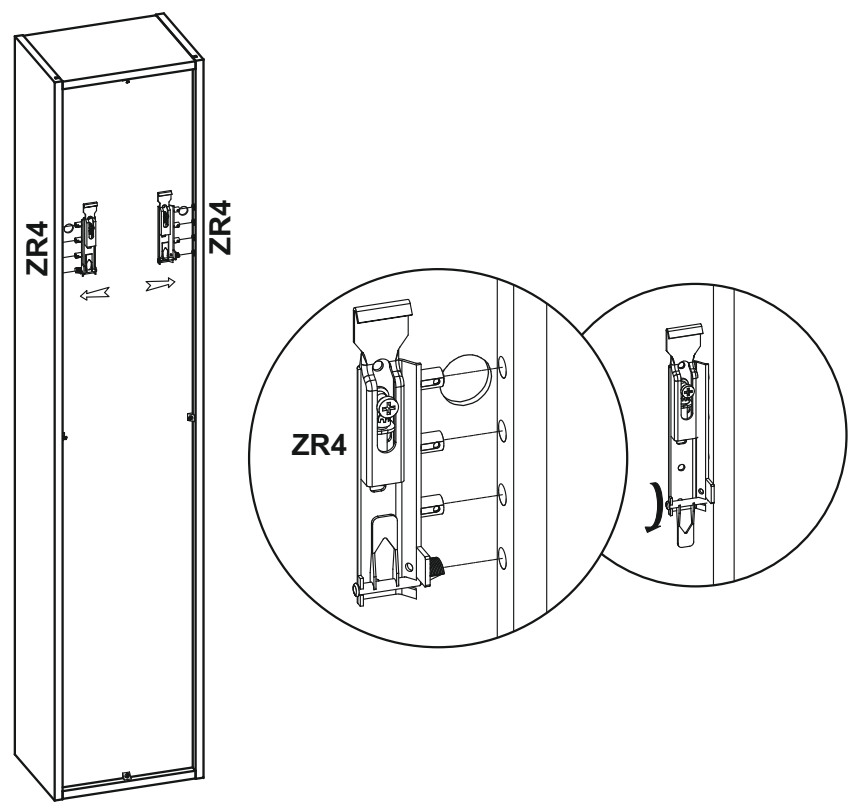
3



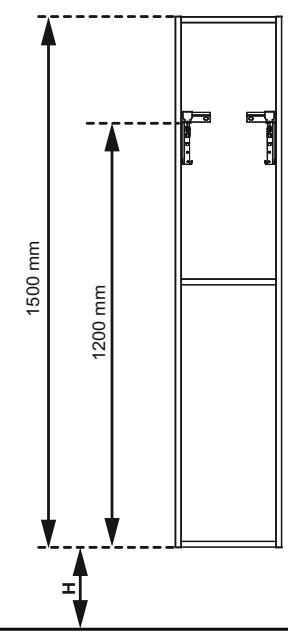
4



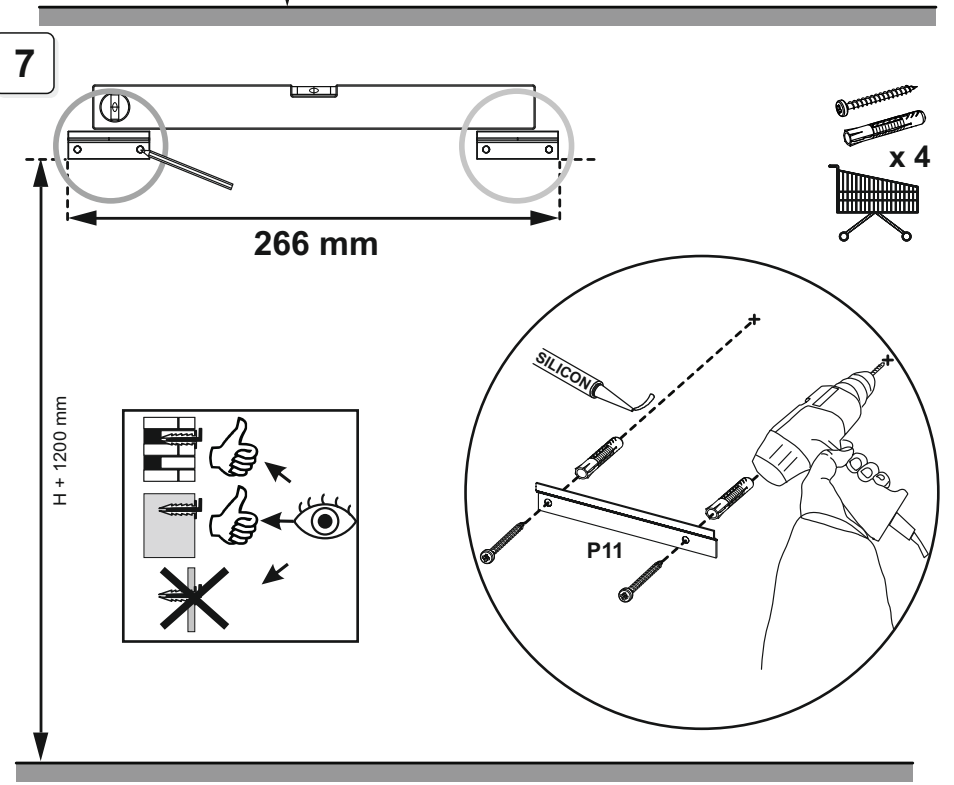
5



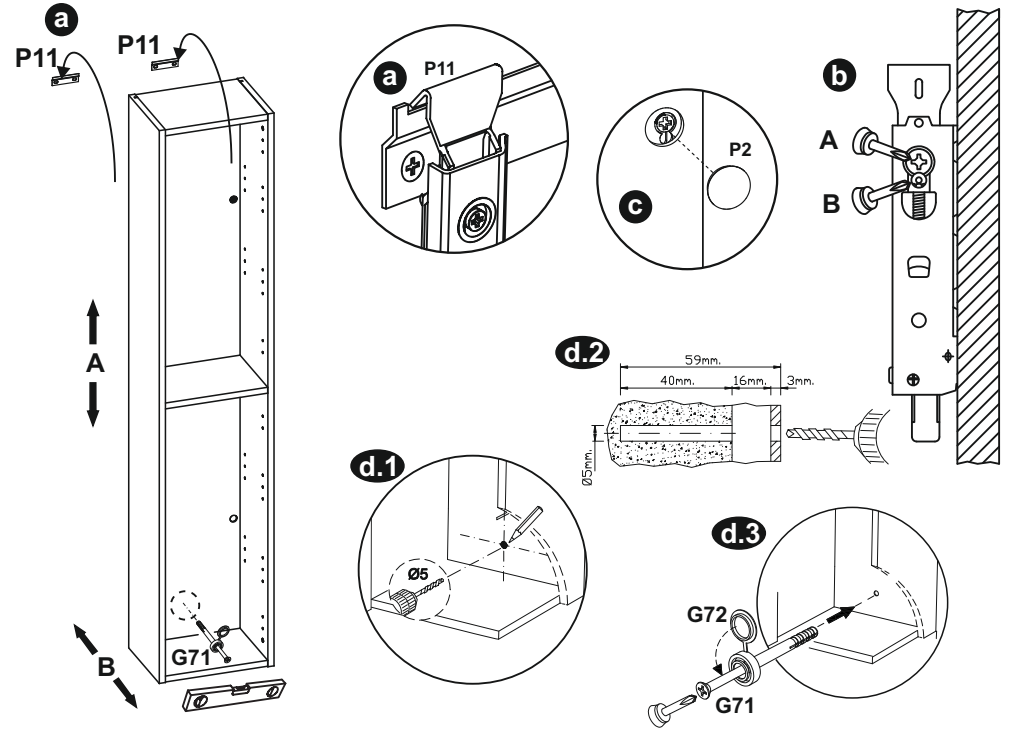
6



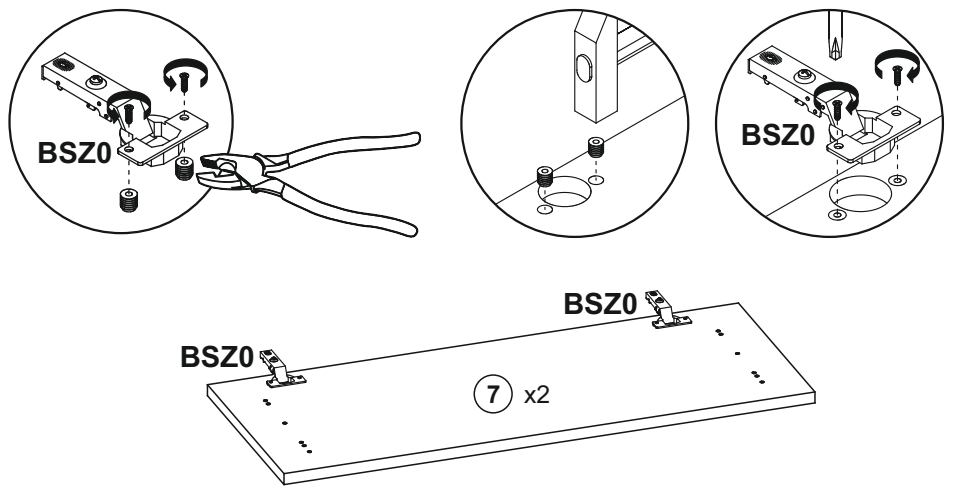
7



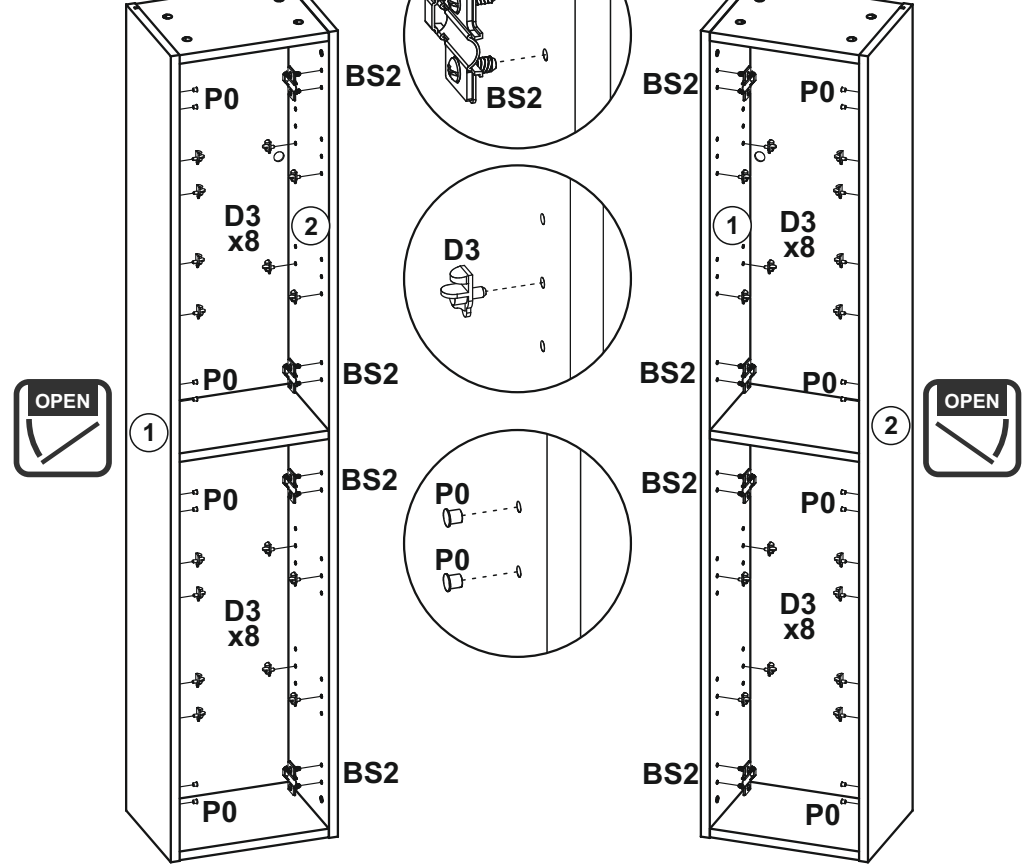
8



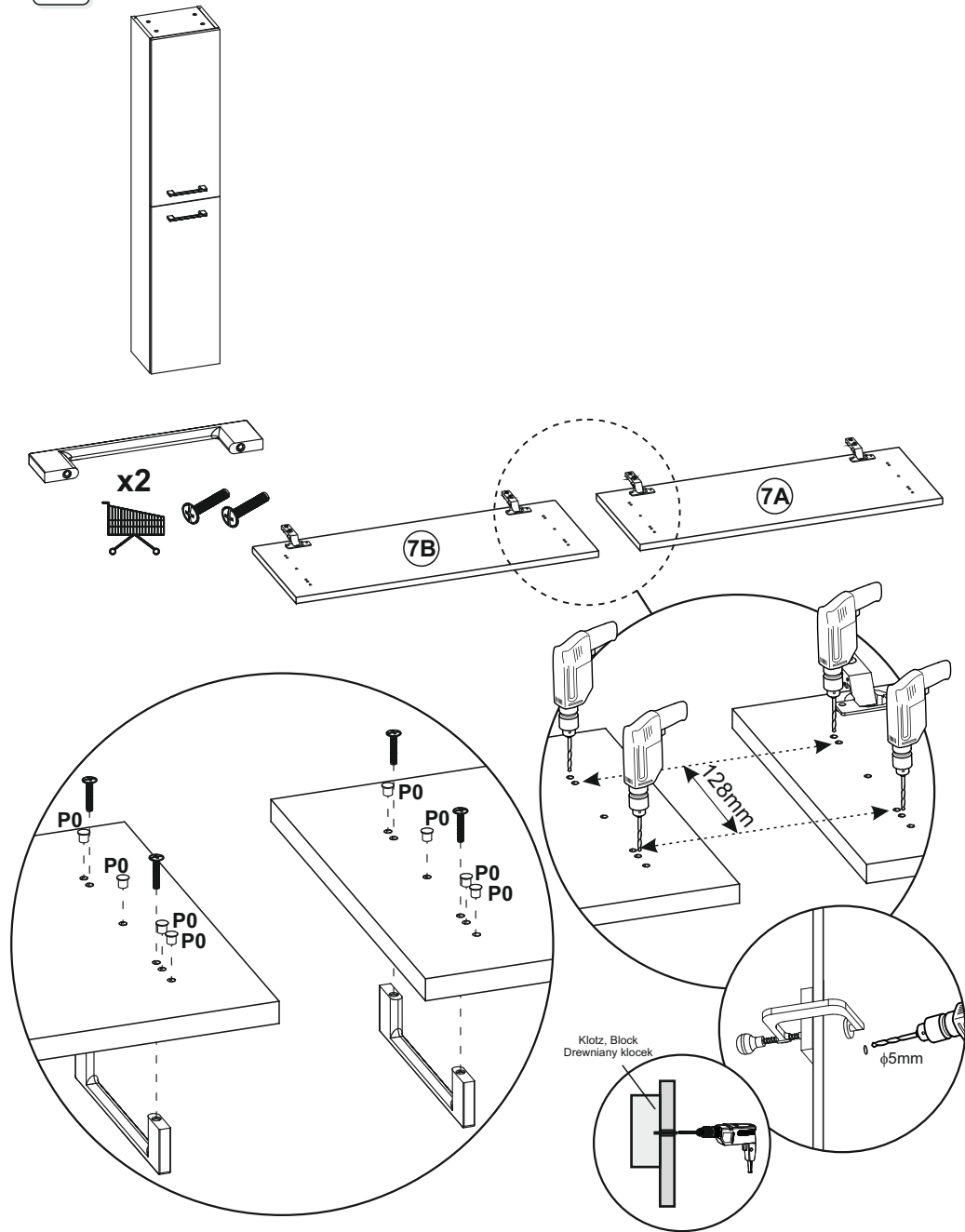
9



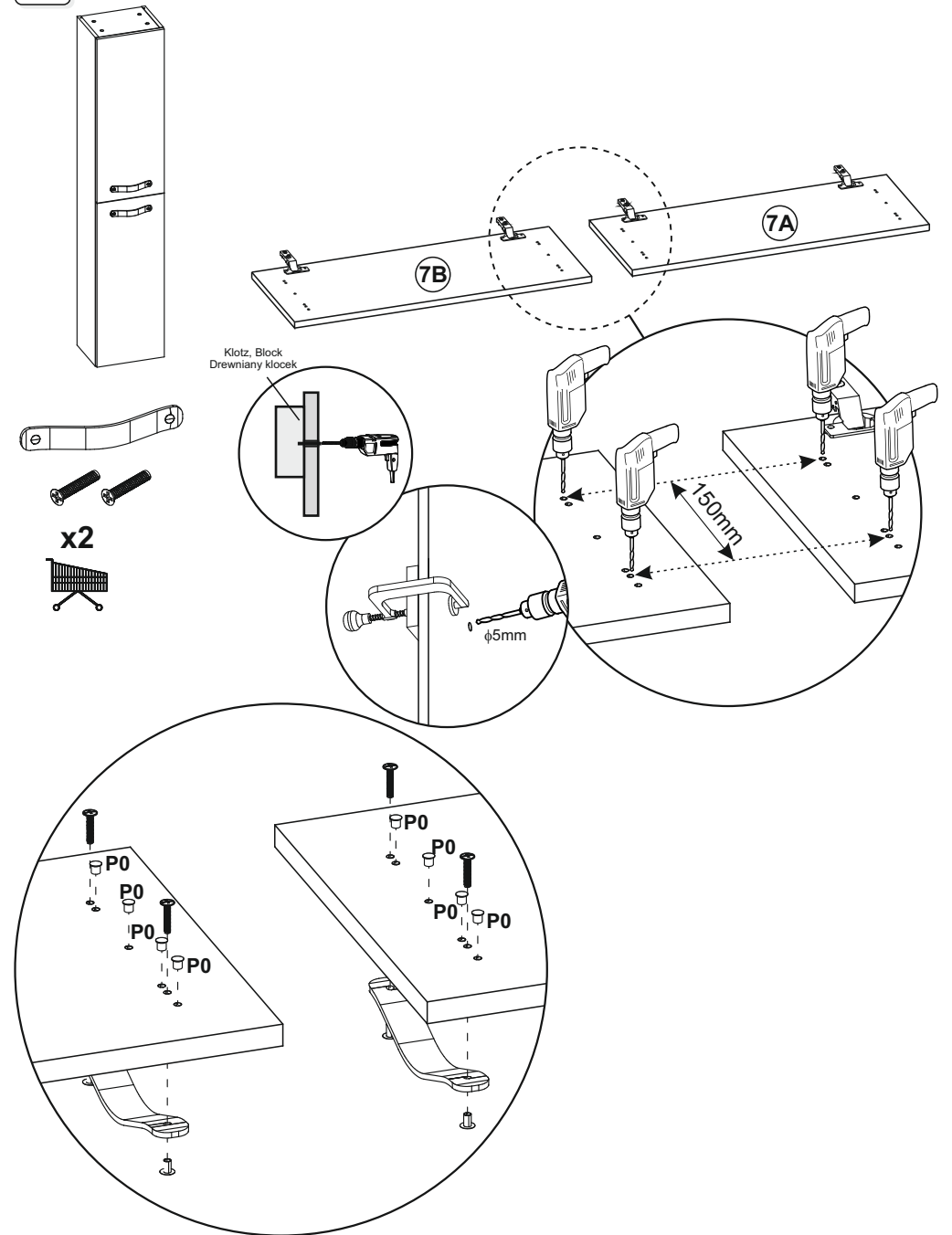
10



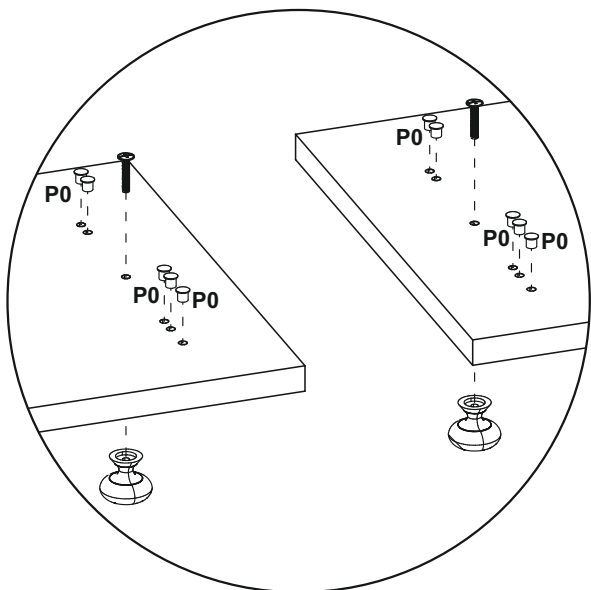
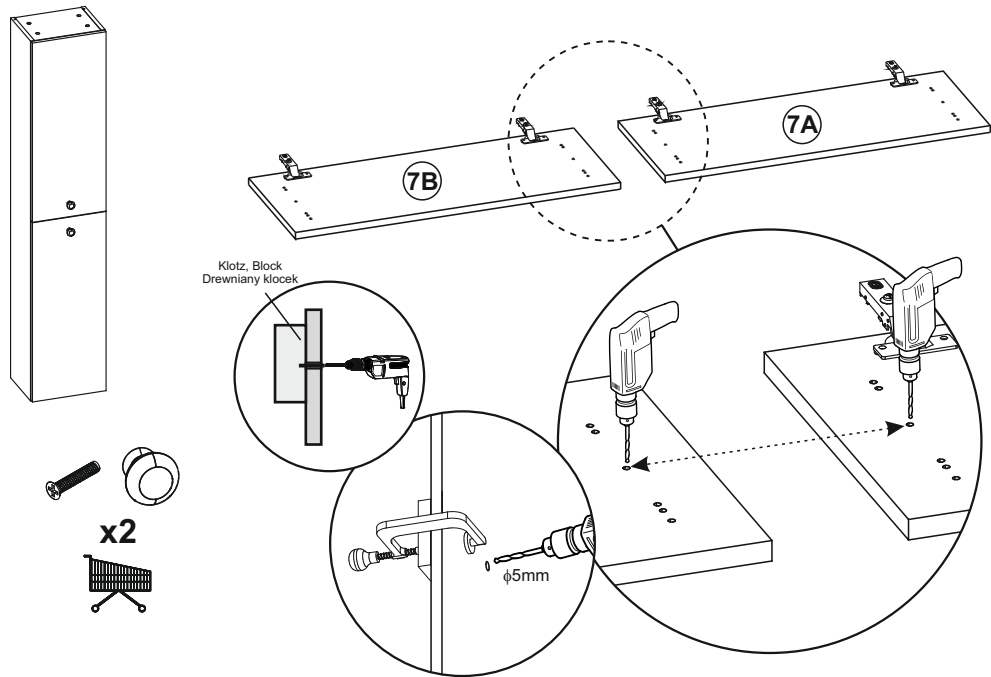
11



12



13



14

