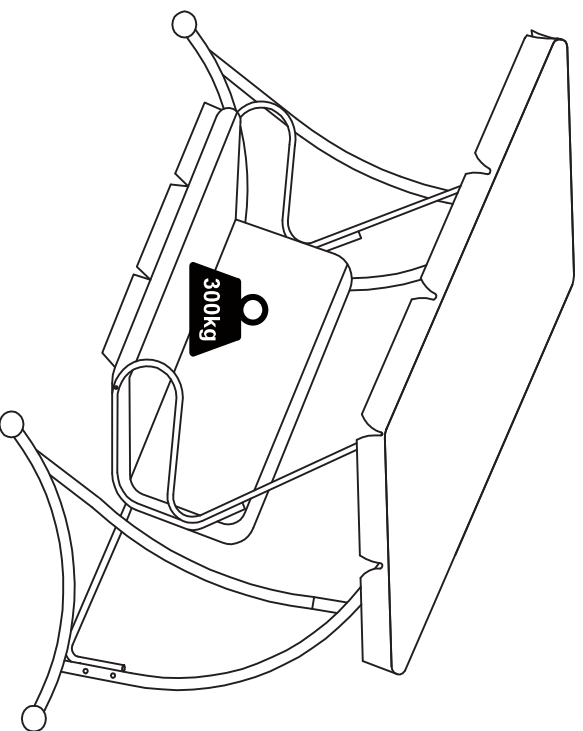


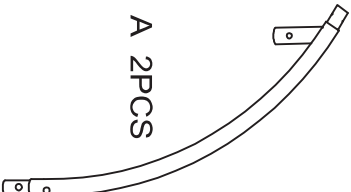



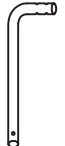
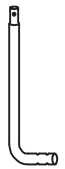
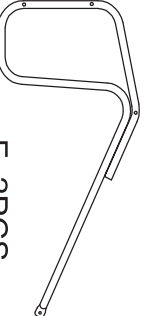

















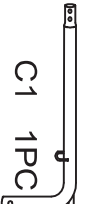












































































































































































































































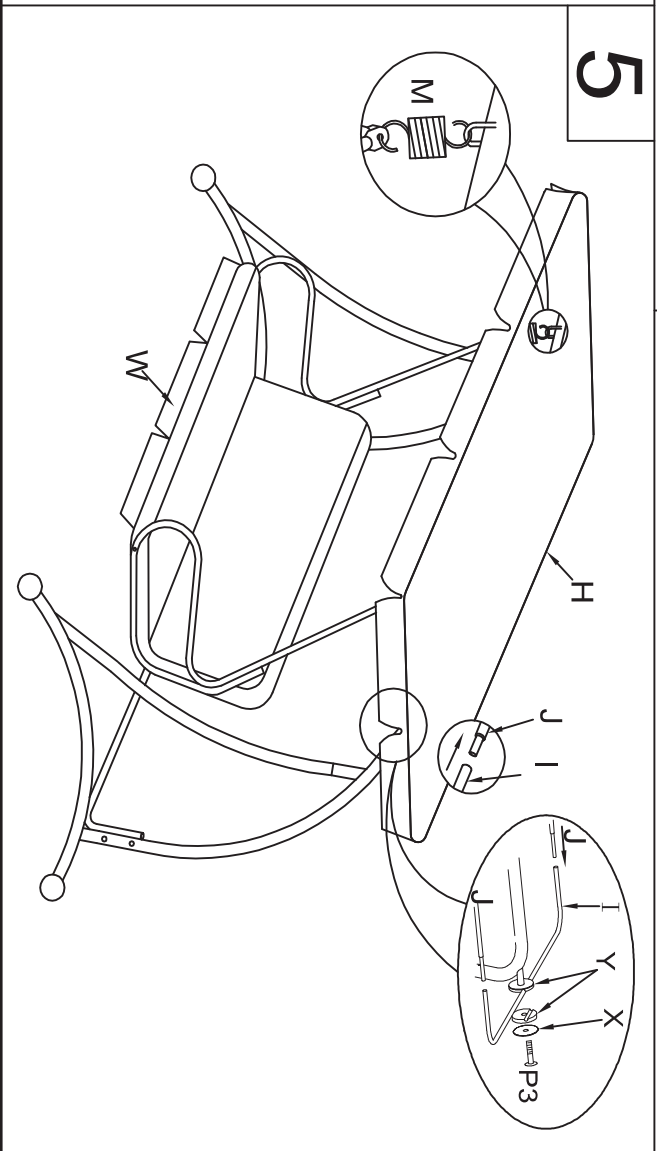
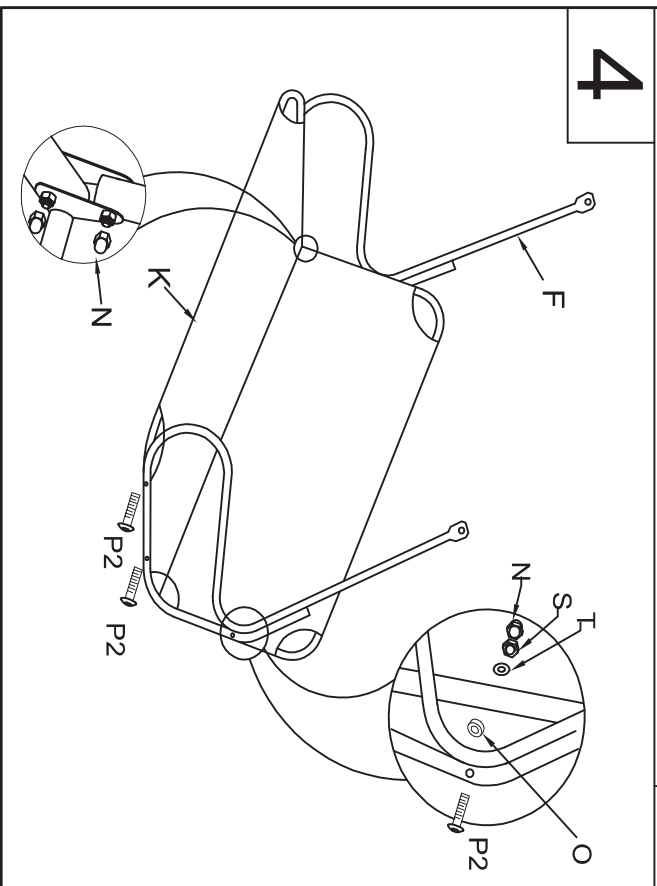
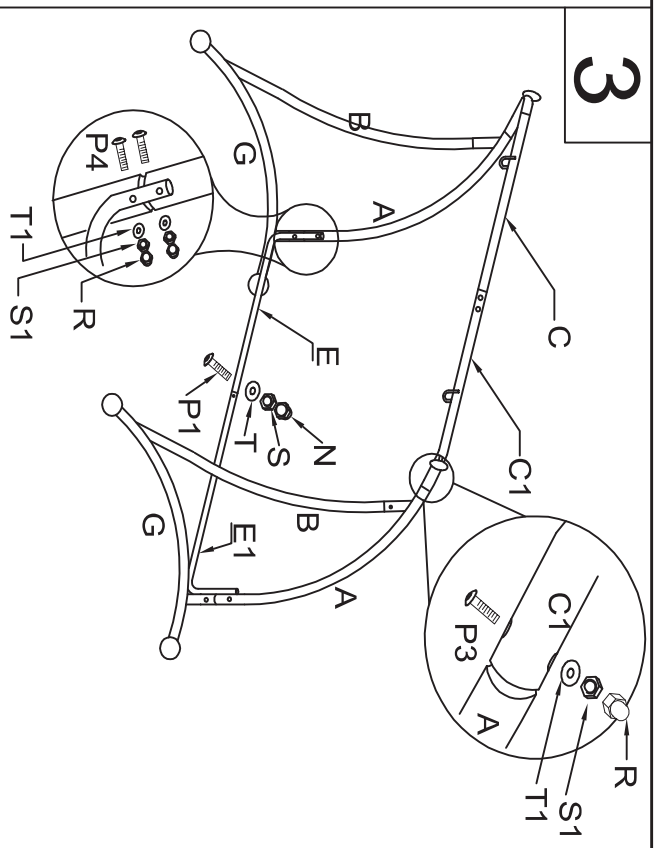
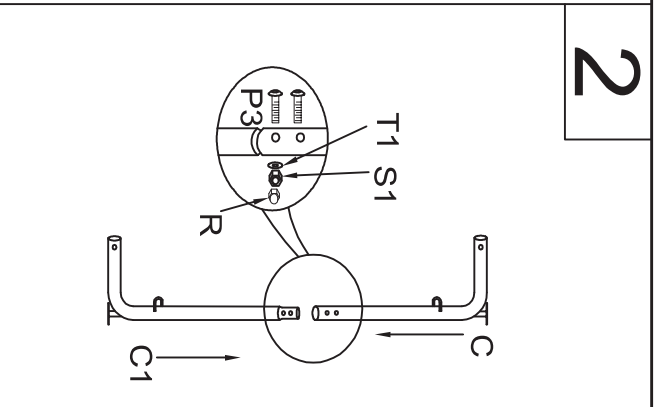
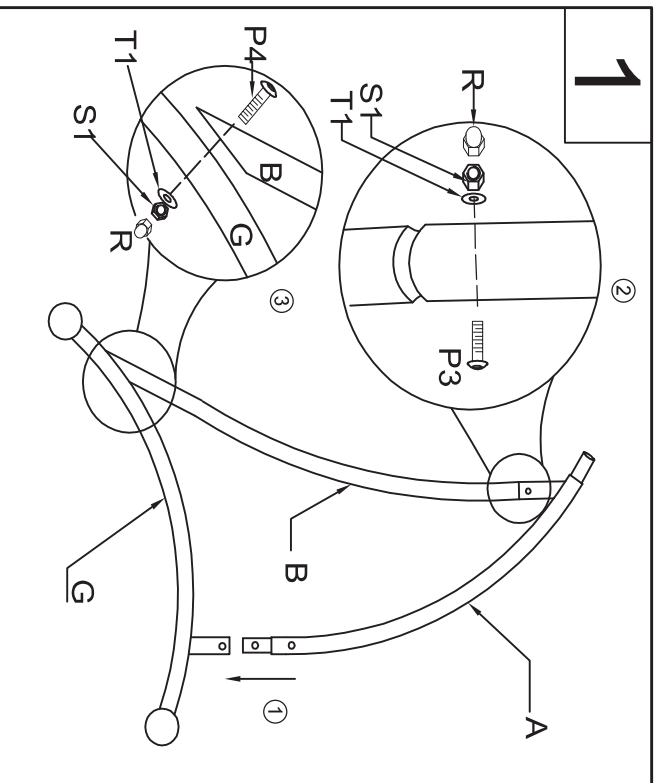


# YF-SW014



|   |  |
|---|--|
|  M8<br>1PC |  M6<br>1PC |
|---|--|

|  |  |  |  |  |  |  |  |
|--|--|--|--|--|--|--|--|
|  A 2PCS |  |  B 2PCS |  |  C 1PC  |  |  C1 1PC |  |
|  E 1PC   |  |  E1 1PC  |  |  F 2PCS |  |  G 2PCS  |  |
|  I 2PCS   |  |  H 1PC    |  |  K 1PC    |  |  W 1PC    |  |
|  J 2PCS   |  |  P1 1PC   |  |  P2 6PCS  |  |  P3 8PCS  |  |
|  P4 6PCS  |  |  O 6PCS   |  |  S1 12PCS |  |  R 12PCS  |  |
|  S 7PCS   |  |  N 11PCS  |  |  M 2PCS   |  |  T 7PCS   |  |
|  T1 12PCS |  |  X 2PCS   |  |  Y 4PCS   |  |  6        |  |
|  8        |  |  8        |  |  8        |  |  8        |  |
|  8        |  |  8        |  |  8        |  |  8        |  |
|  8        |  |  8        |  |  8        |  |  8        |  |
|  8        |  |  8        |  |  8        |  |  8        |  |
|  8        |  |  8        |  |  8        |  |  8        |  |
|  8        |  |  8        |  |  8        |  |  8        |  |
|  8        |  |  8        |  |  8        |  |  8        |  |
|  8        |  |  8        |  |  8        |  |  8        |  |
|  8        |  |  8        |  |  8        |  |  8        |  |
|  8        |  |  8        |  |  8        |  |  8        |  |
|  8        |  |  8        |  |  8        |  |  8        |  |
|  8        |  |  8        |  |  8        |  |  8        |  |
|  8        |  |  8        |  |  8        |  |  8        |  |
|  8        |  |  8        |  |  8        |  |  8        |  |
|  8        |  |  8        |  |  8        |  |  8        |  |
|  8        |  |  8        |  |  8        |  |  8        |  |
|  8        |  |  8        |  |  8        |  |  8        |  |
|  8        |  |  8        |  |  8        |  |  8        |  |
|  8        |  |  8        |  |  8        |  |  8        |  |
|  8        |  |  8        |  |  8        |  |  8        |  |
|  8        |  |  8        |  |  8        |  |  8        |  |
|  8        |  |  8        |  |  8        |  |  8        |  |
|  8        |  |  8        |  |  8        |  |  8        |  |
|  8        |  |  8        |  |  8        |  |  8        |  |
|  8        |  |  8        |  |  8        |  |  8        |  |
|  8        |  |  8        |  |  8        |  |  8        |  |
|  8        |  |  8        |  |  8        |  |  8        |  |
|  8        |  |  8        |  |  8        |  |  8        |  |
|  8        |  |  8        |  |  8        |  |  8        |  |
|  8        |  |  8        |  |  8        |  |  8        |  |
|  8        |  |  8        |  |  8        |  |  8        |  |
|  8        |  |  8        |  |  8        |  |  8        |  |
|  8        |  |  8        |  |  8        |  |  8        |  |
|  8        |  |  8        |  |  8        |  |  8        |  |
|  8        |  |  8        |  |  8        |  |  8        |  |
|  8        |  |  8        |  |  8        |  |  8        |  |
|  8        |  |  8        |  |  8        |  |  8        |  |
|  8        |  |  8        |  |  8        |  |  8        |  |
|  8        |  |  8        |  |  8        |  |  8        |  |
|  8        |  |  8        |  |  8        |  |  8        |  |
|  8        |  |  8        |  |  8        |  |  8        |  |
|  8        |  |  8        |  |  8        |  |  8        |  |
|  8        |  |  8        |  |  8        |  |  8        |  |
|  8        |  |  8        |  |  8        |  |  8        |  |
|  8        |  |  8        |  |  8        |  |  8        |  |
|  8        |  |  8        |  |  8        |  |  8        |  |
|  8        |  |  8        |  |  8        |  |  8        |  |
|  8        |  |  8        |  |  8        |  |  8        |  |
|  8        |  |  8        |  |  8        |  |  8        |  |
|  8        |  |  8        |  |  8        |  |  8        |  |
|  8        |  |  8        |  |  8        |  |  8        |  |
|  8        |  |  8        |  |  8        |  |  8        |  |
|  8        |  |  8        |  |  8        |  |  8        |  |
|  8        |  |  8        |  |  8        |  |  8        |  |
|  8        |  |  8        |  |  8        |  |  8        |  |
|  8        |  |  8        |  |  8        |  |  8        |  |
|  8        |  |  8        |  |  8        |  |  8        |  |
|  8        |  |  8        |  |  8        |  |  8        |  |
|  8        |  |  |  |  |  |  |  |



MAXIMUM LOAD: 300KGS