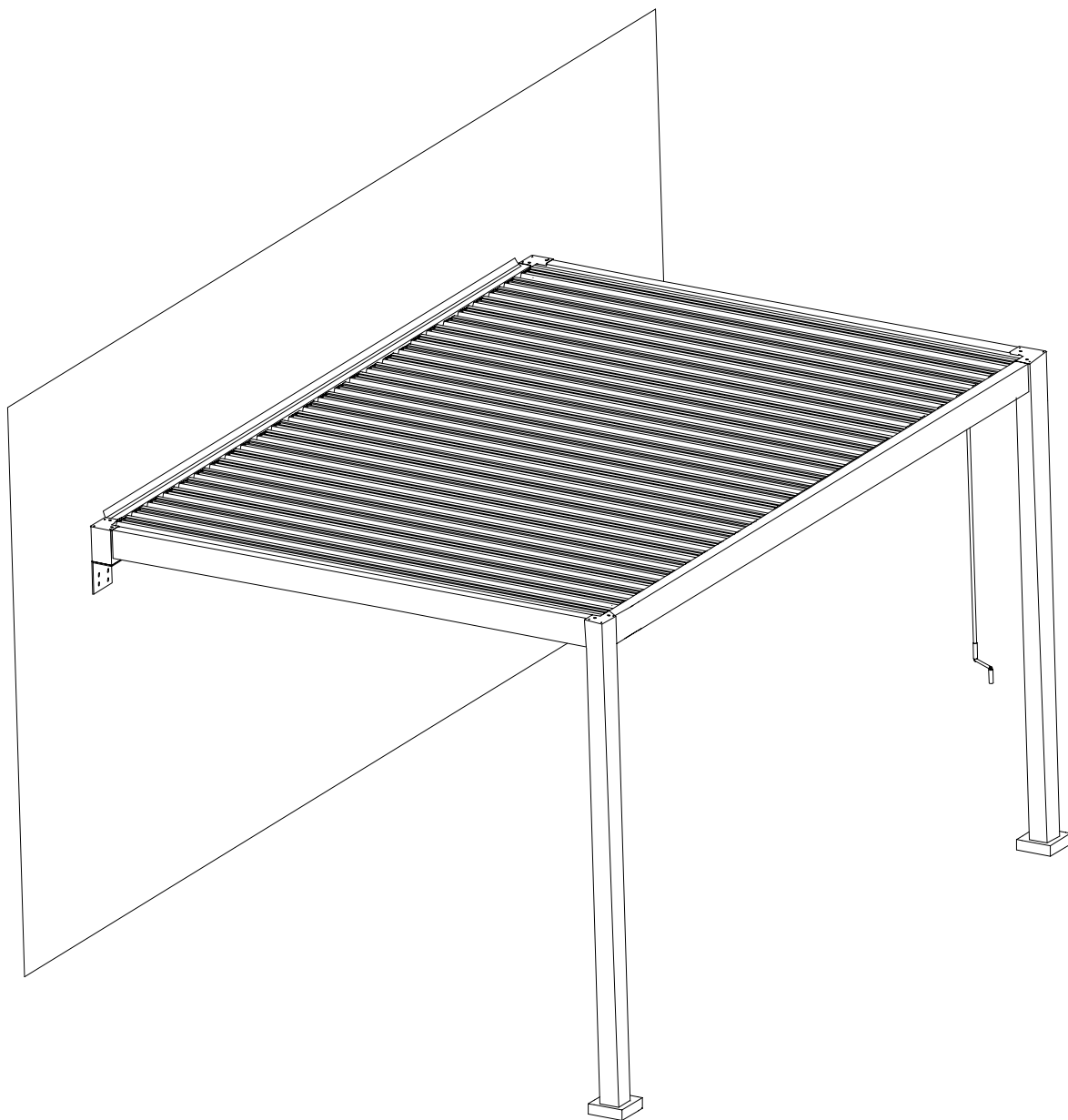




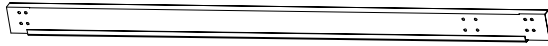
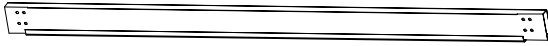

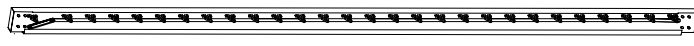

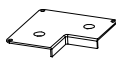
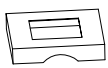
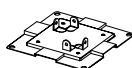


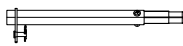


PERGOLA - 3 X 4M WITH WALL MOUNTING

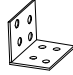
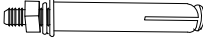

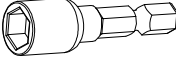
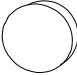





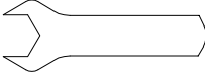



BARCODE:8050921



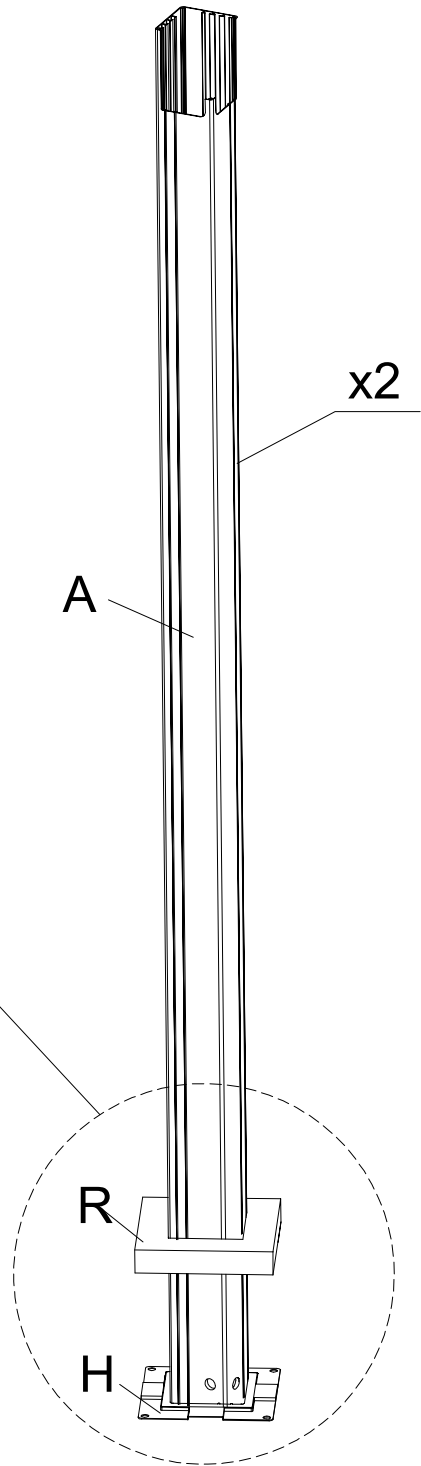
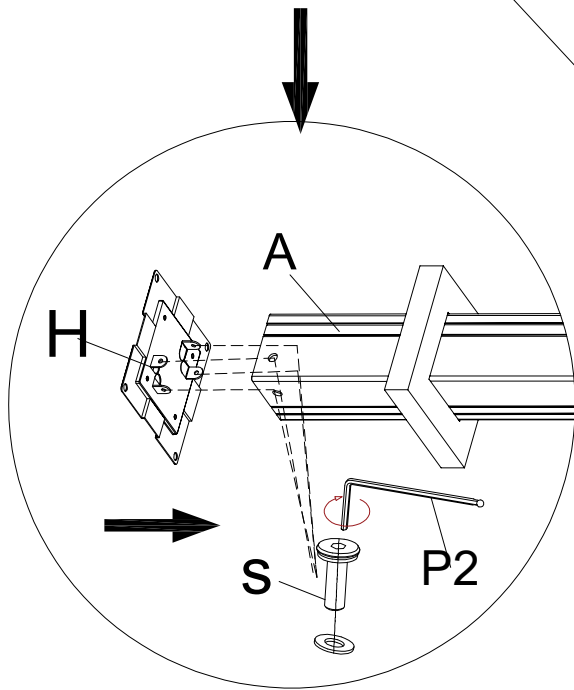
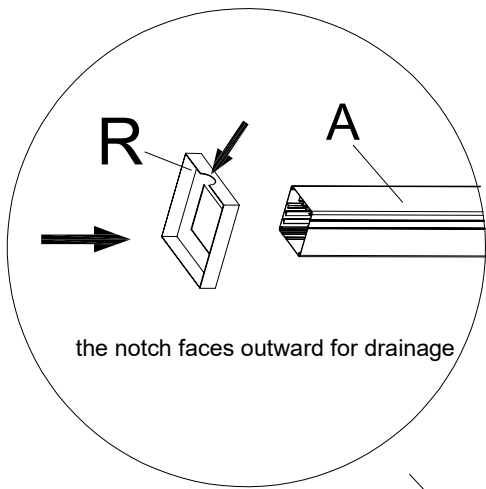
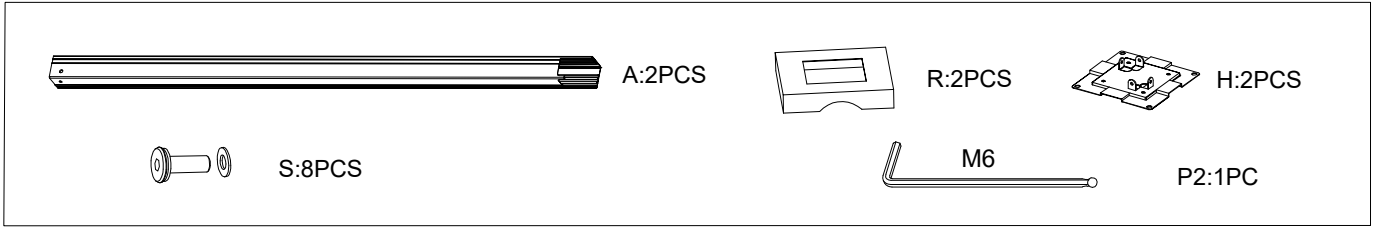
WARNING

1. Install the product in strict accordance with the assembly instructions
2. The installation must be assembled by more than 3 adults
3. The installation should be on a flat ground of at least 5M x 5M, and the parts in contact with the ground should be padded to prevent scratching the surface of the product;
4. Checking the number of the parts against the parts list before installation
5. The pressure of the shutter is 20 kg per square meter, if the weight exceeds this value in extreme weather such as snow and ice, the shutter must be opened in advance
6. Shutter open and close, according to the direction of rotation, can not be too hard to rotate, so as not to damage the internal structure of the rotating device;
7. When pergola against wall and there is a gale, please open the louvers to keep ventilation.
8. Please clean the gutters regularly to avoid weep hole blocked by leaves or others.
9. When turn the crank handle in clockwise or anti-clockwise direction about 5 circles, louvers would be open or close completely.
10. Clean the product with a lightly moistened cloth and mild detergent. Strong detergents/solvents/alcohol must not be used on this product.
11. No walking on the top of the pergola.

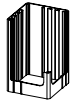
Name	part code	part sketch	Quantity
	A		2
	A1		2
	B		1
	C		1
	D		1
	E		1
	F		27
	G		4
	R		2
	H		2
	1		1
	3		1
	4		1
	5		2
	6		1

Name	part code	part sketch	Quantity
	7		2
	9	 M10x62	8
	10		6
	11		1
	T		32+2
	I		1
	J	 M4.2x25	12+2
	S	 M6*15	32
	K	 M6x8	108+5
	L	 M6x62	8
	O		1
	P2	 M6	2
	Q	 M8	1
	R1		1

STEP 01



STEP 02



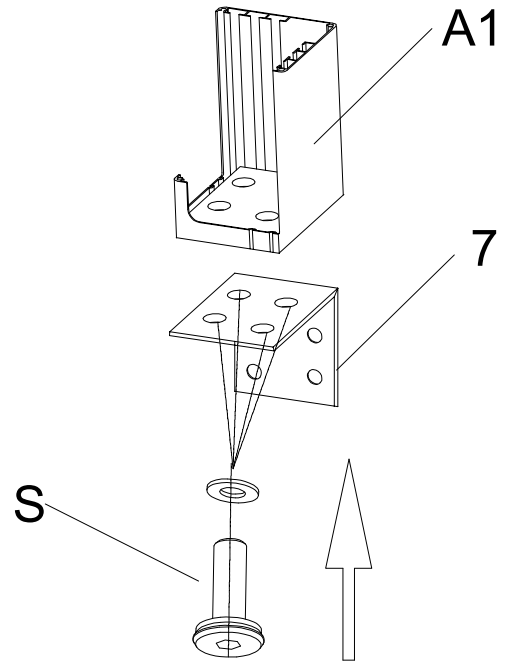
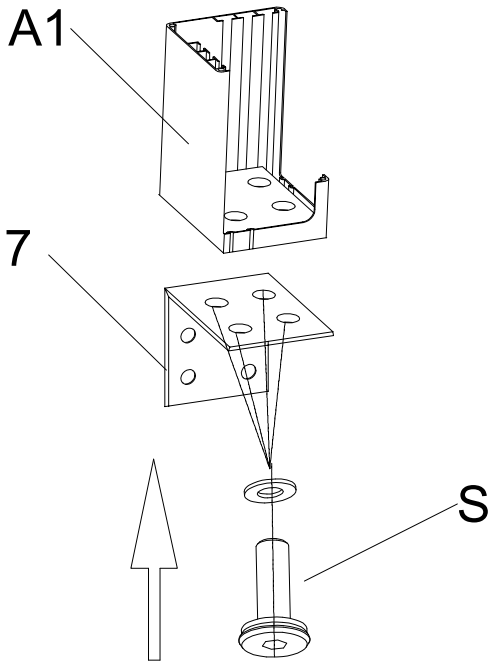
A1:2PCS



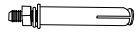
S:8PCS

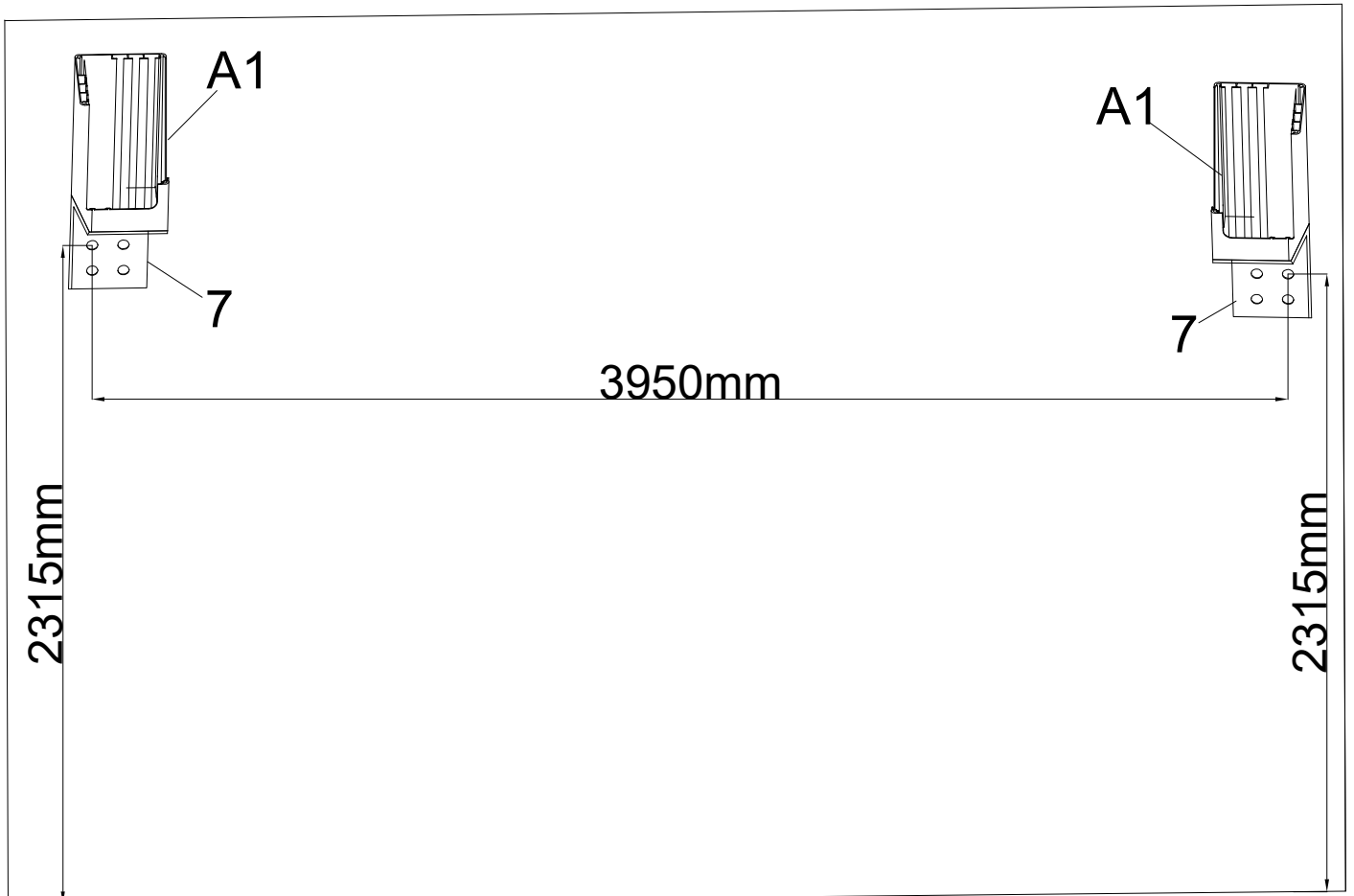
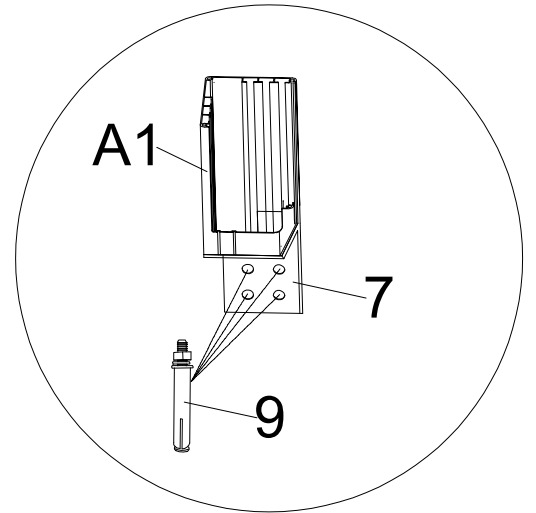
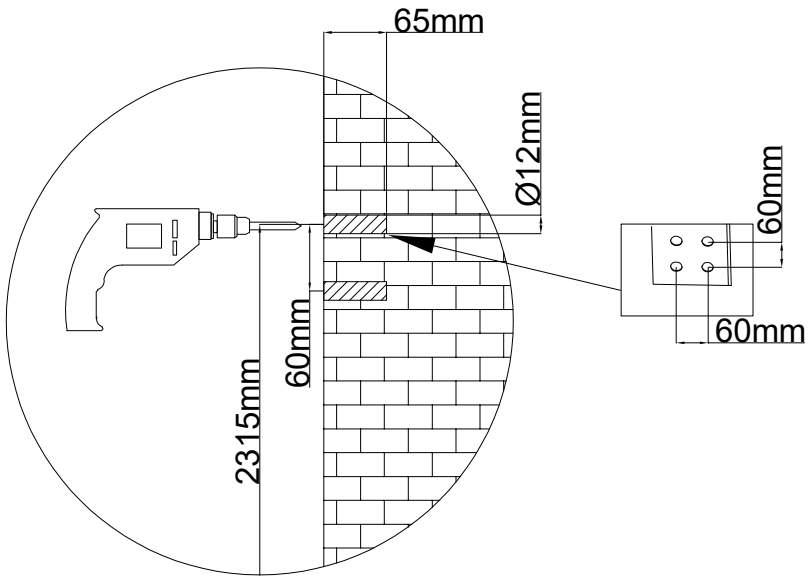


7:2PCS

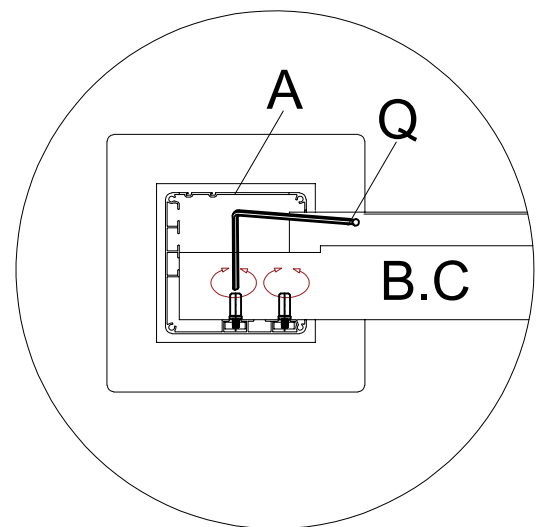
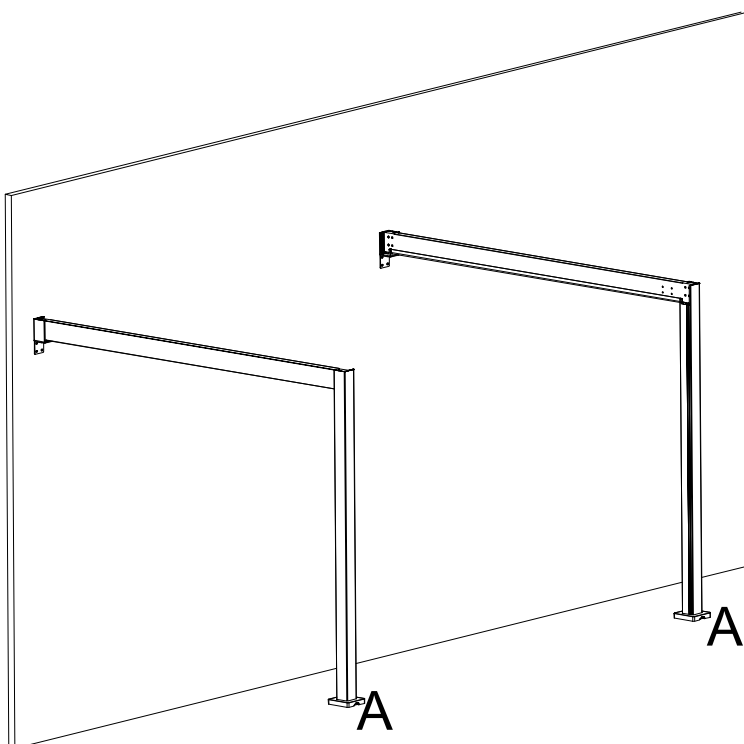
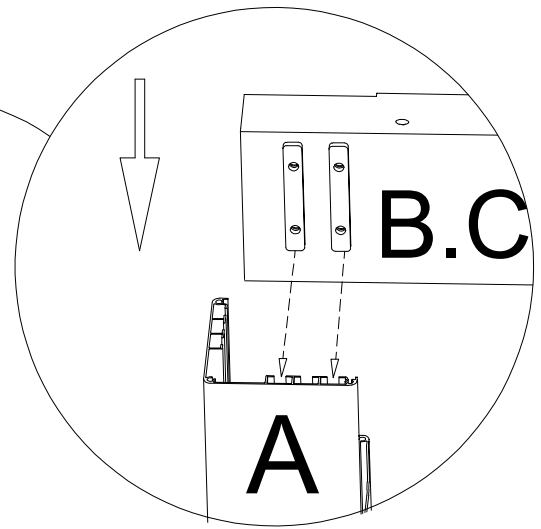
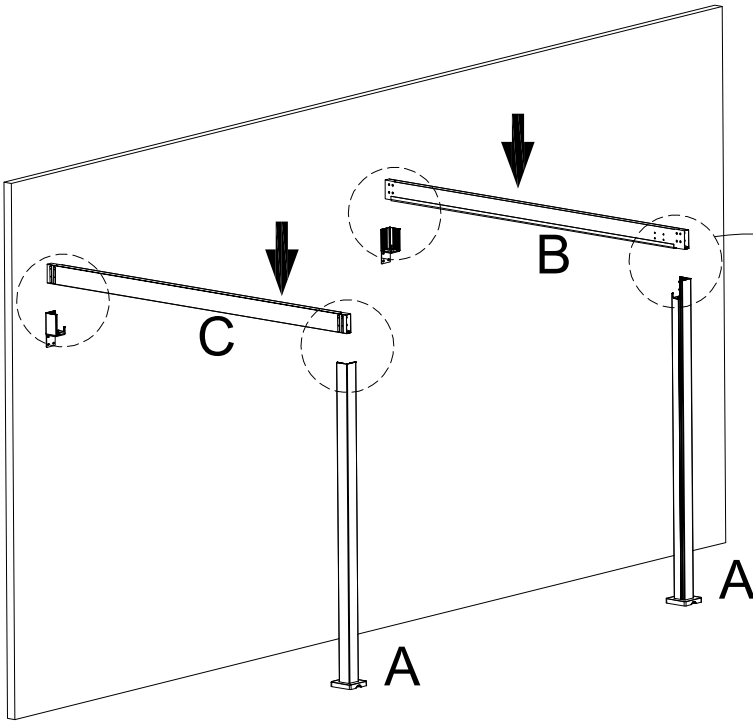
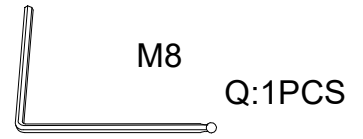
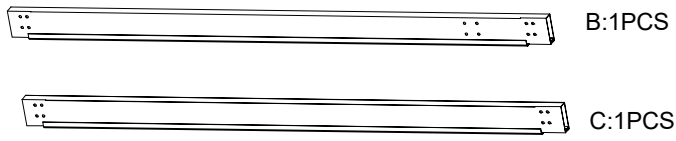


STEP 03

 9:8PCS



STEP 04



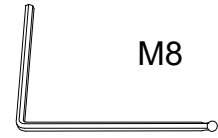
STEP 05



D:4PCS

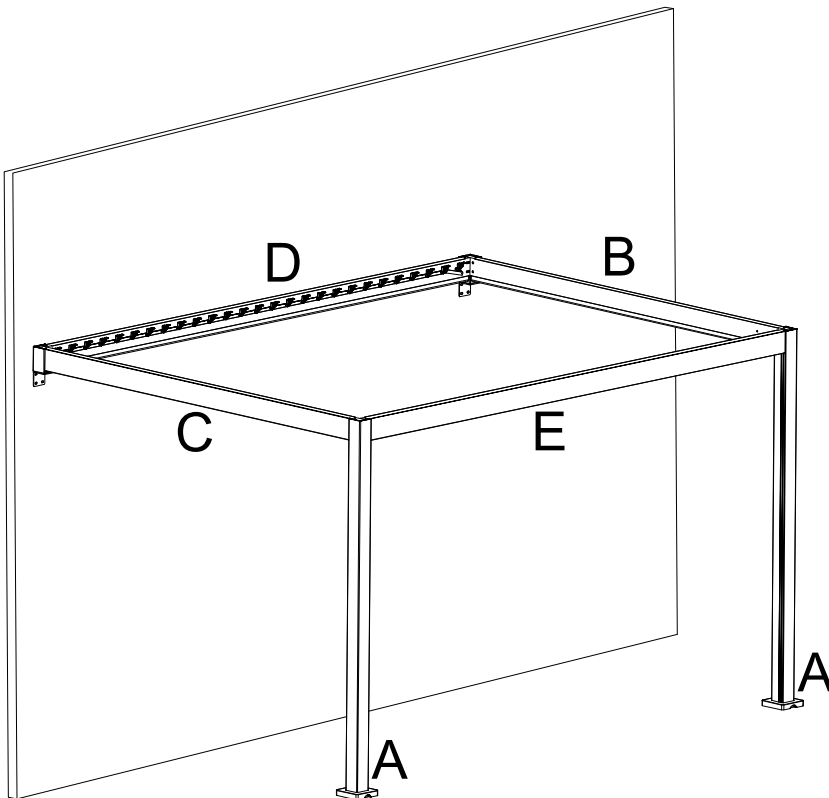
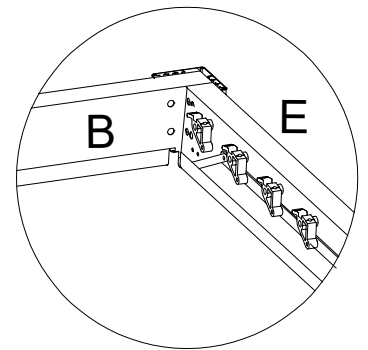
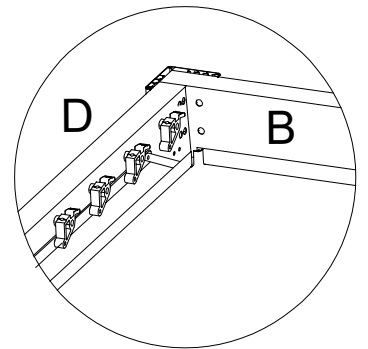
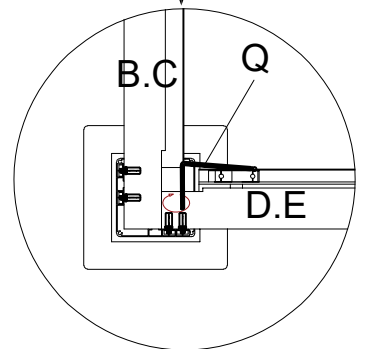
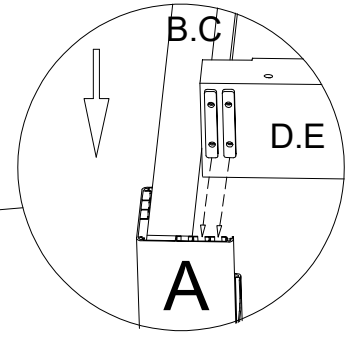
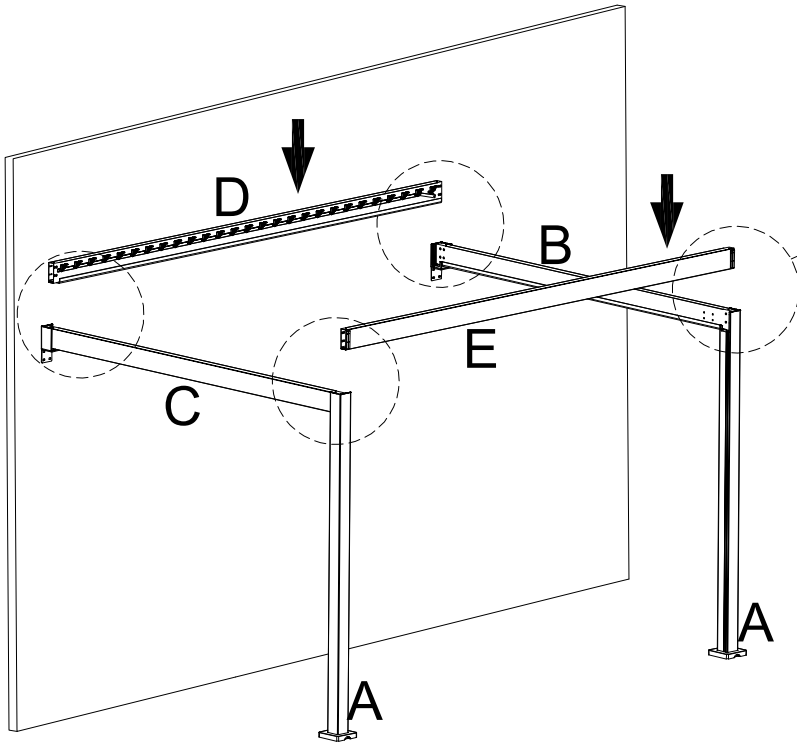


E:1PC



M8

Q:1PCS



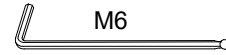
STEP 06



G: 4PCS



J: 12PCS



M6

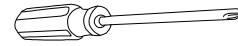
P2:1PCS



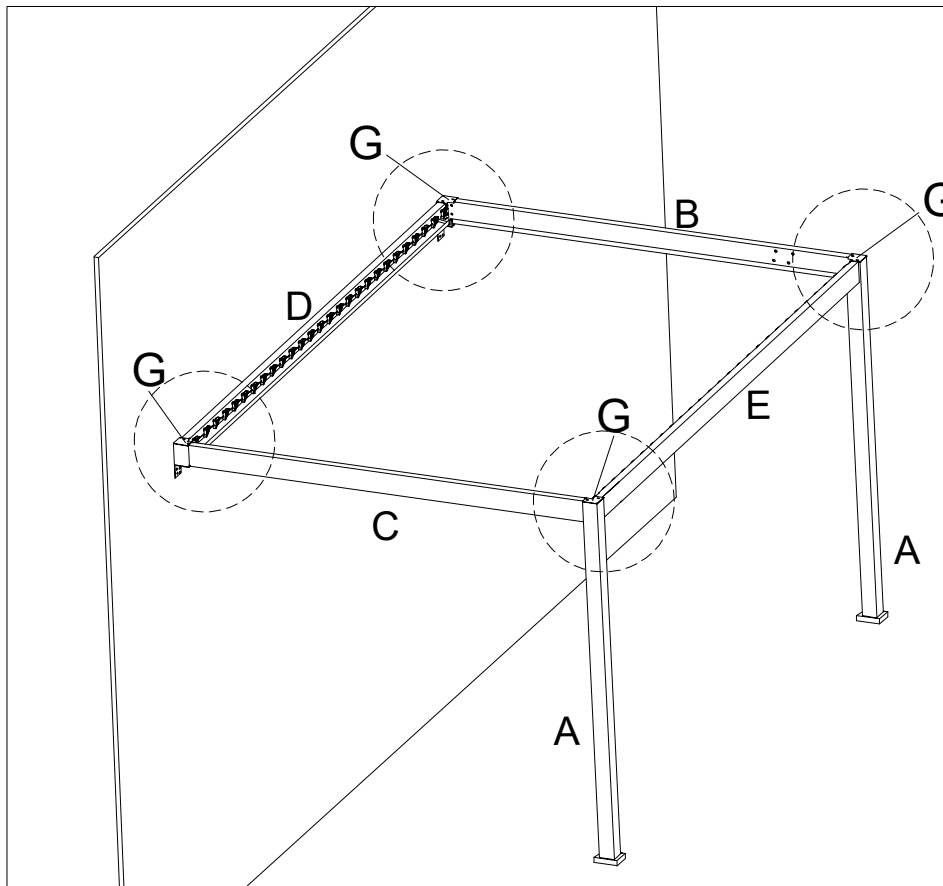
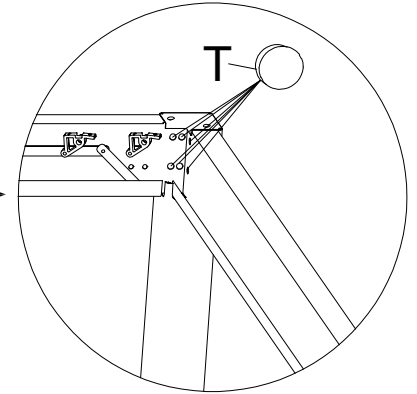
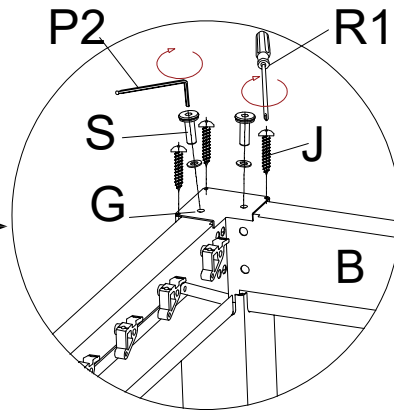
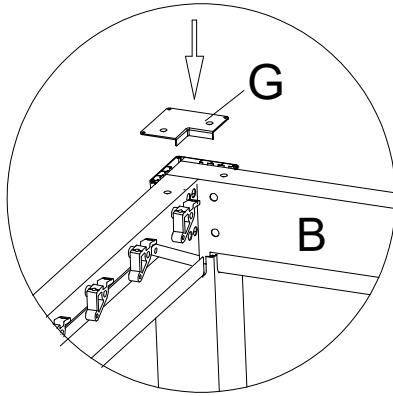
S: 8PCS



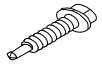
T: 24PCS



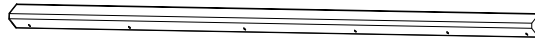
R1:1PCS



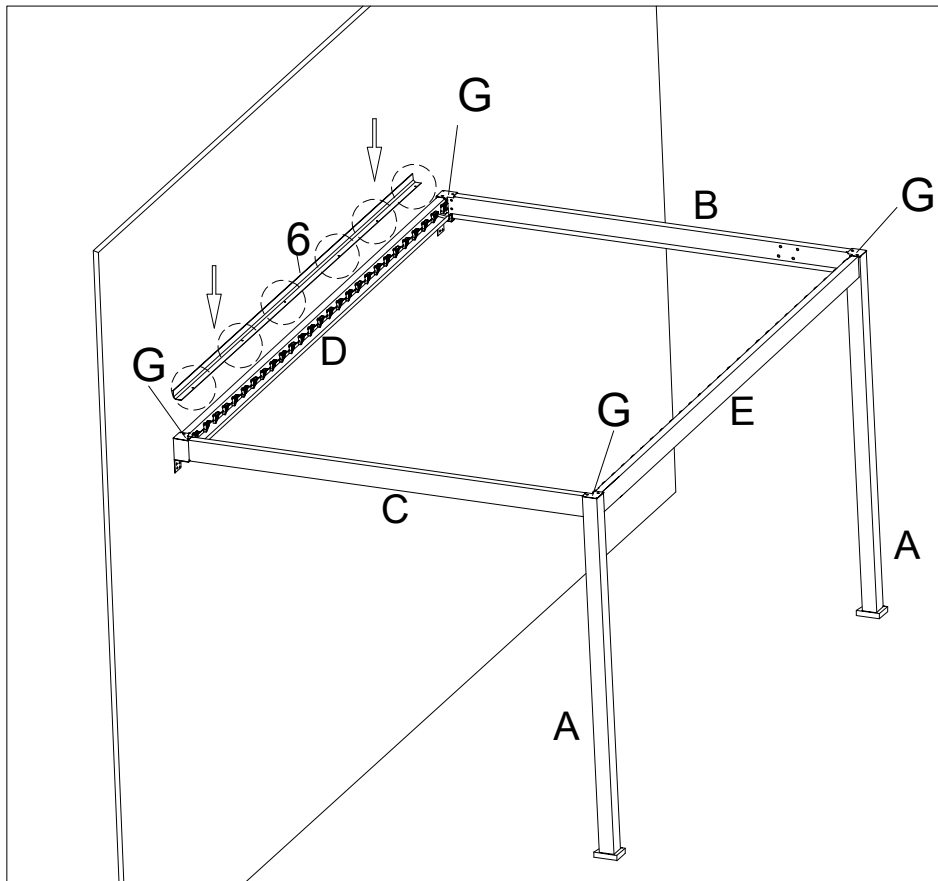
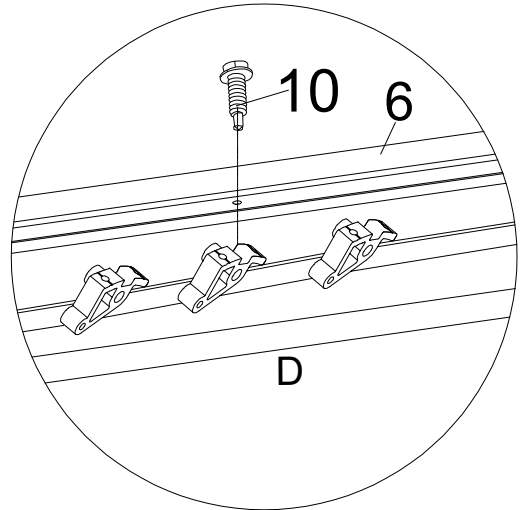
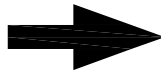
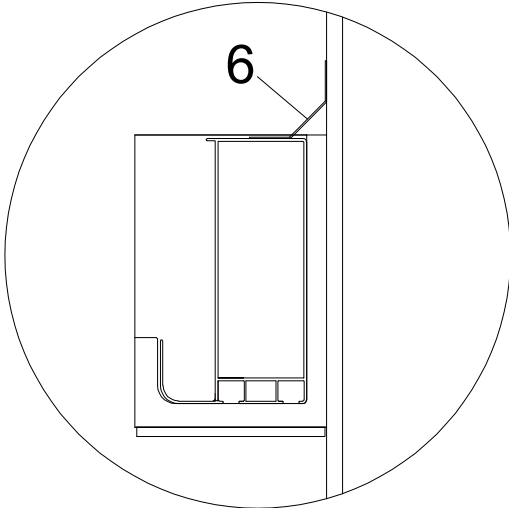
STEP 07



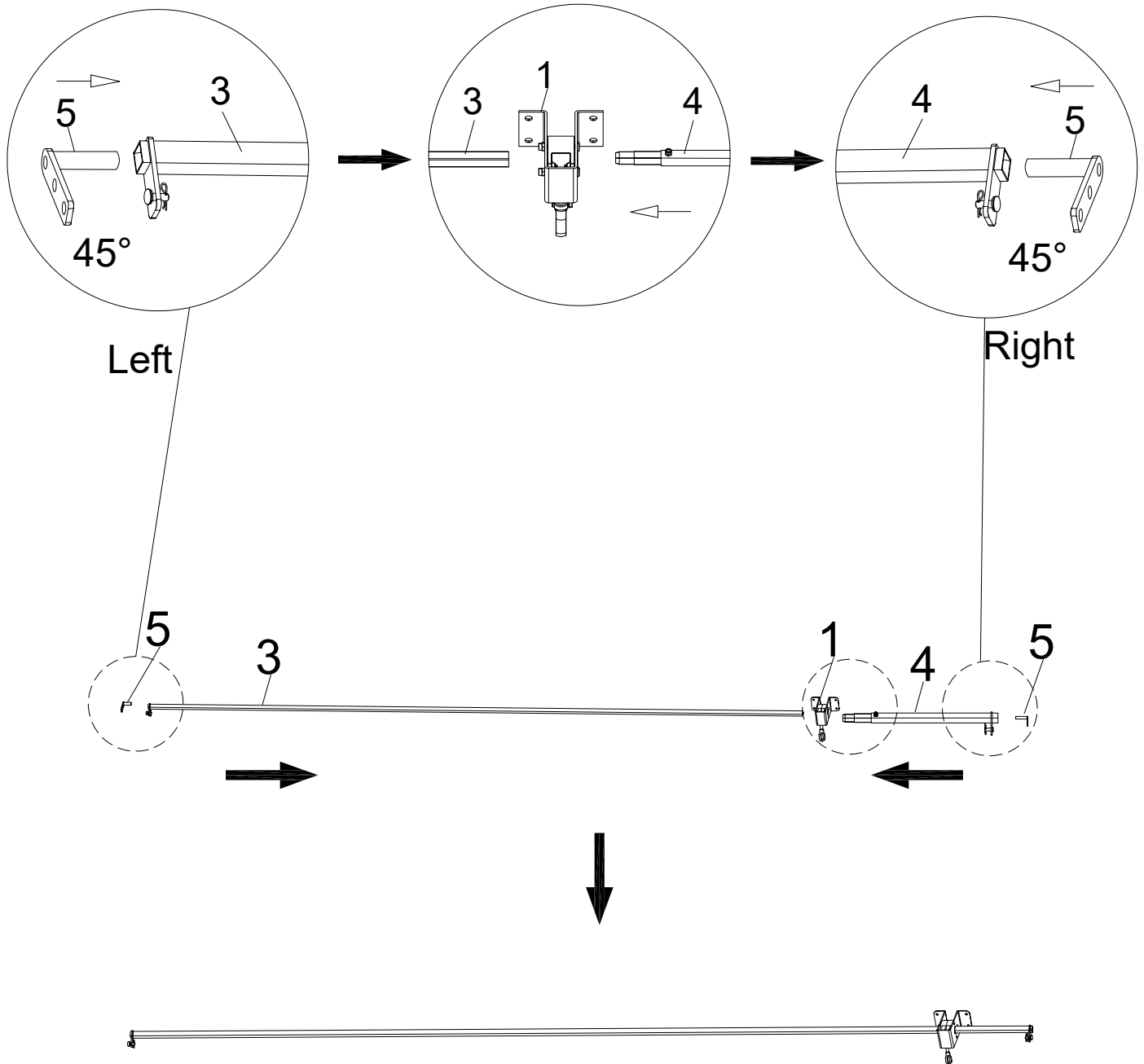
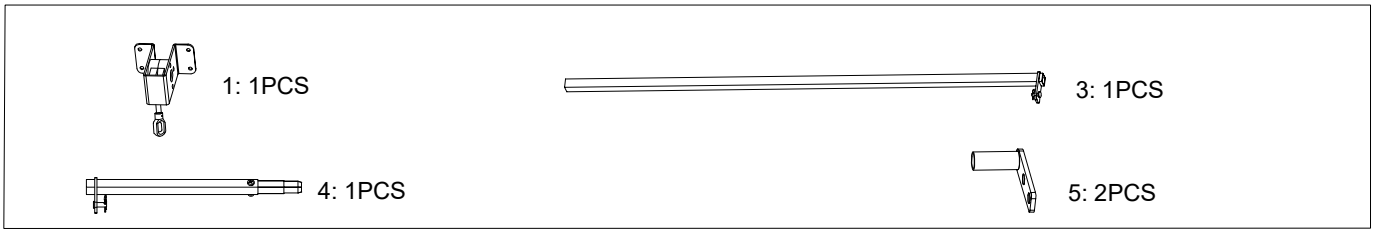
10:6PCS



6:1PCS

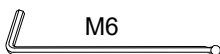


STEP 08

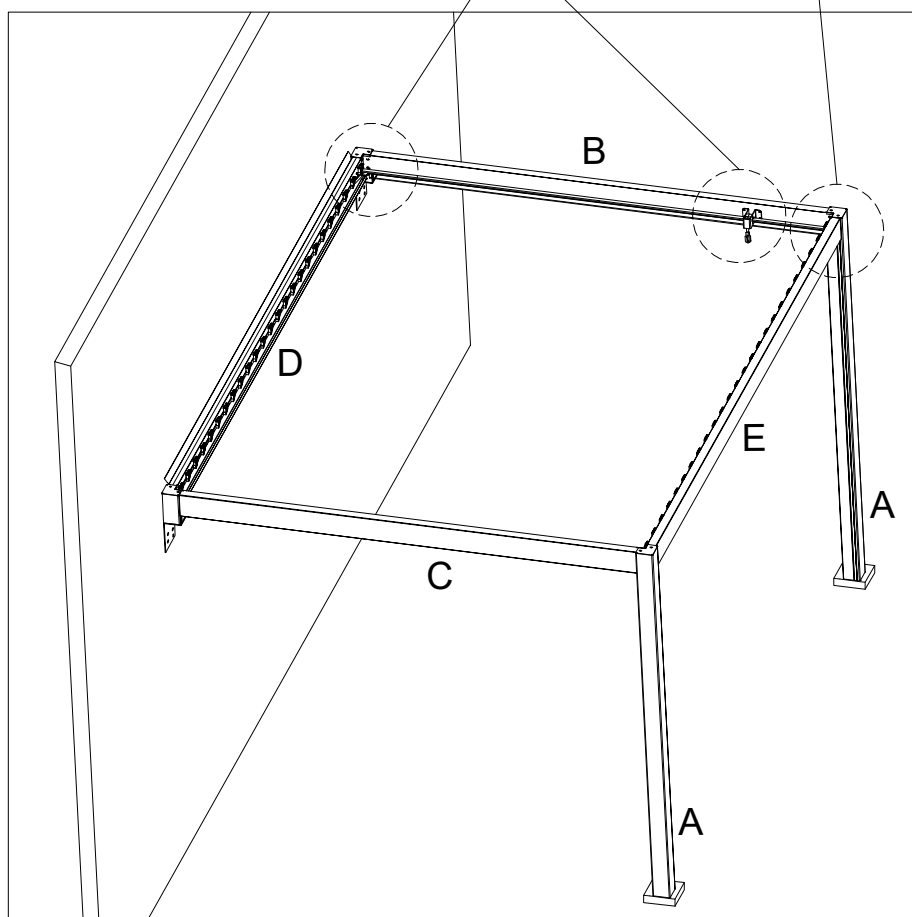
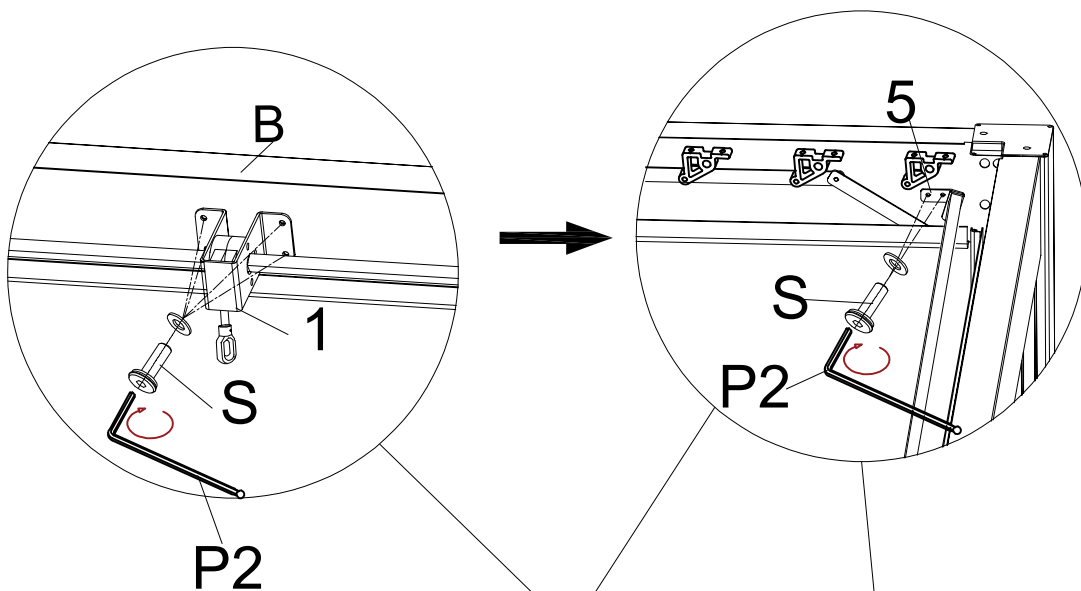


STEP 09

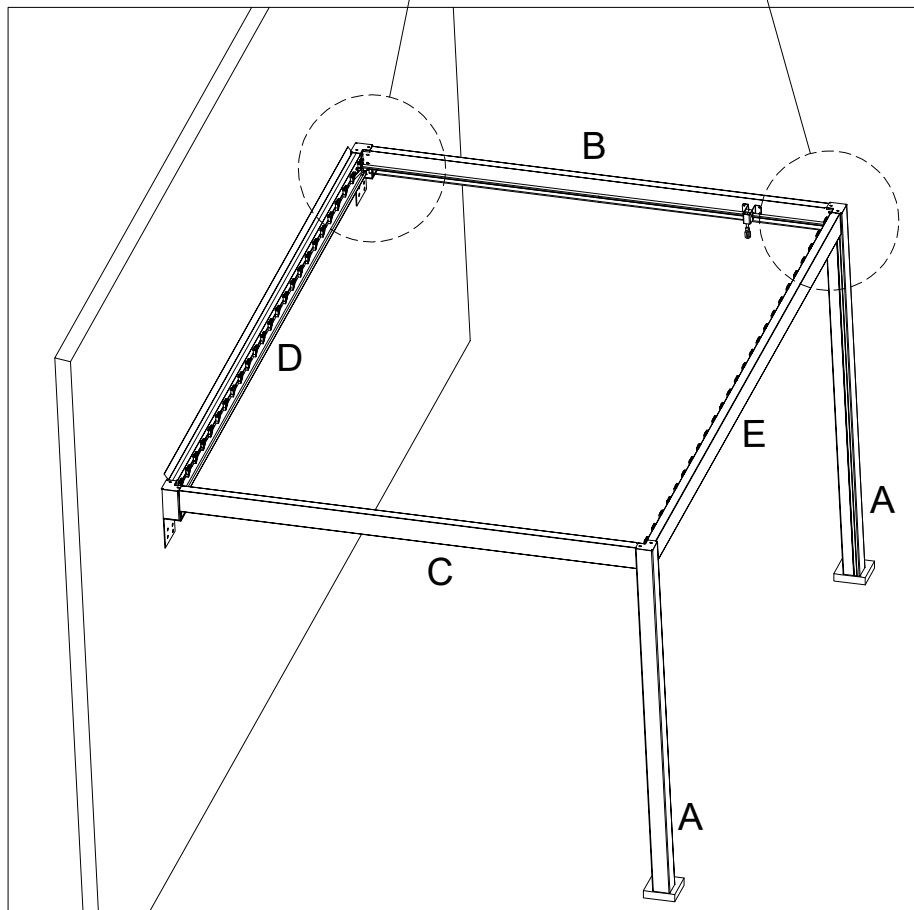
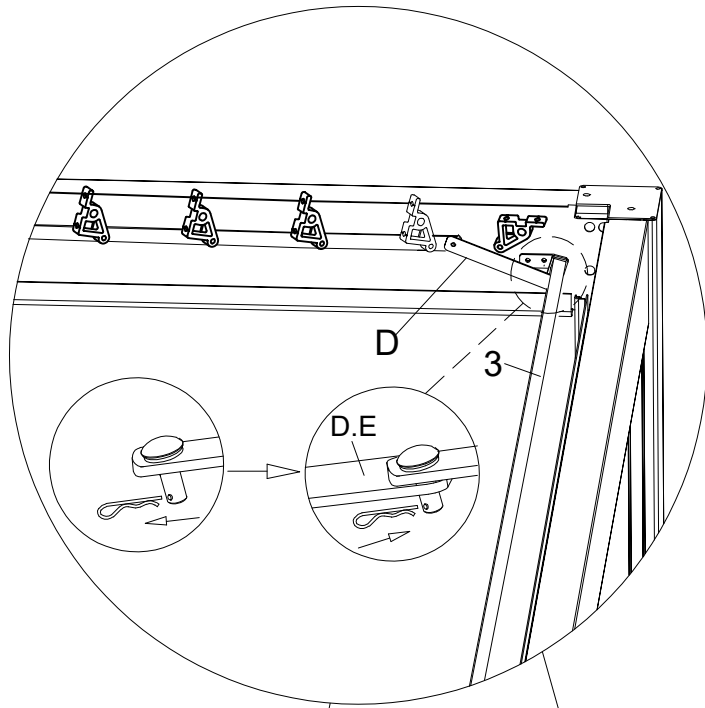
 S: 8PCS

 M6

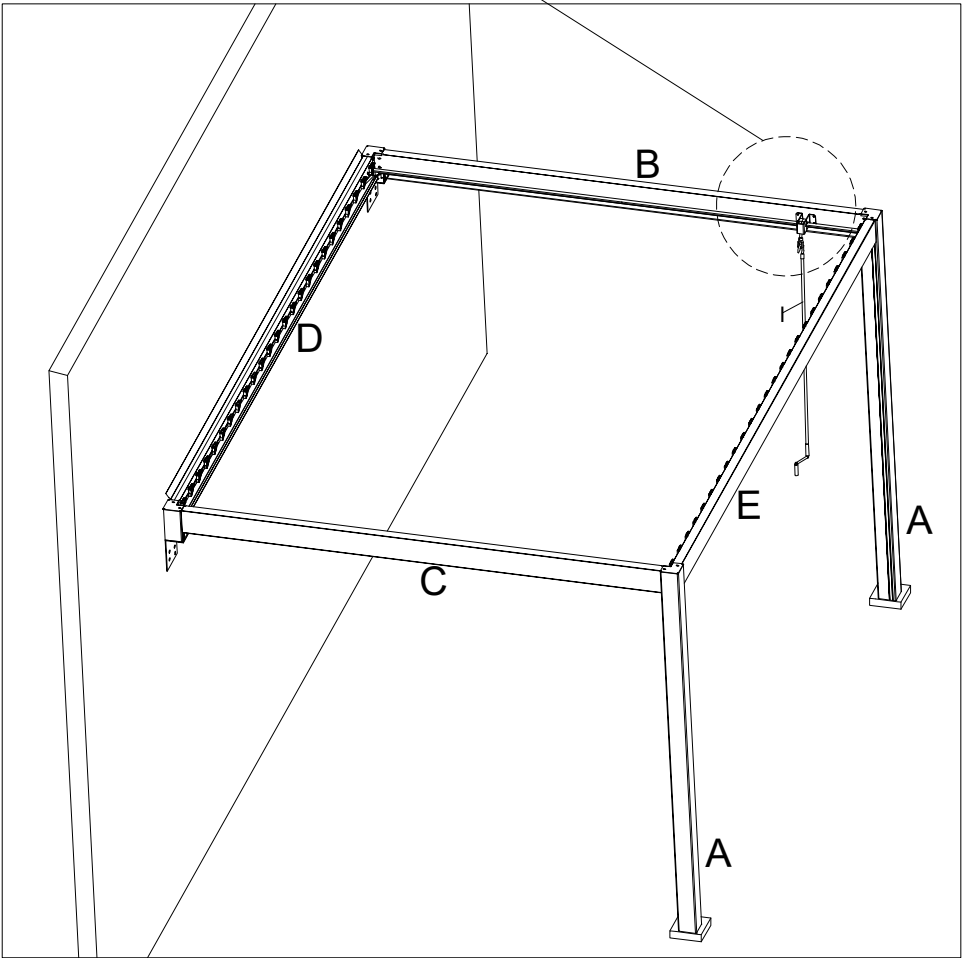
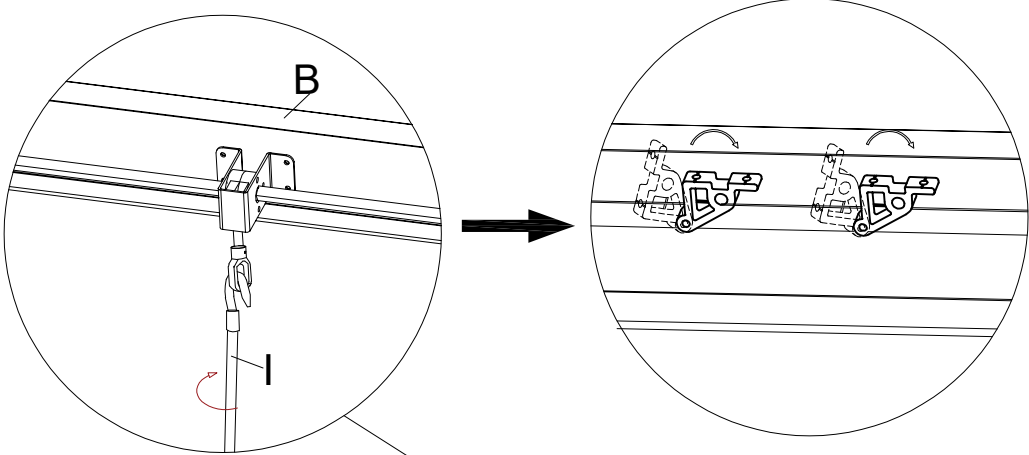
P2: 1PCS



STEP 10



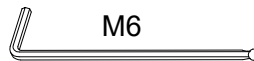
STEP 11



STEP 12



F: 27PCS

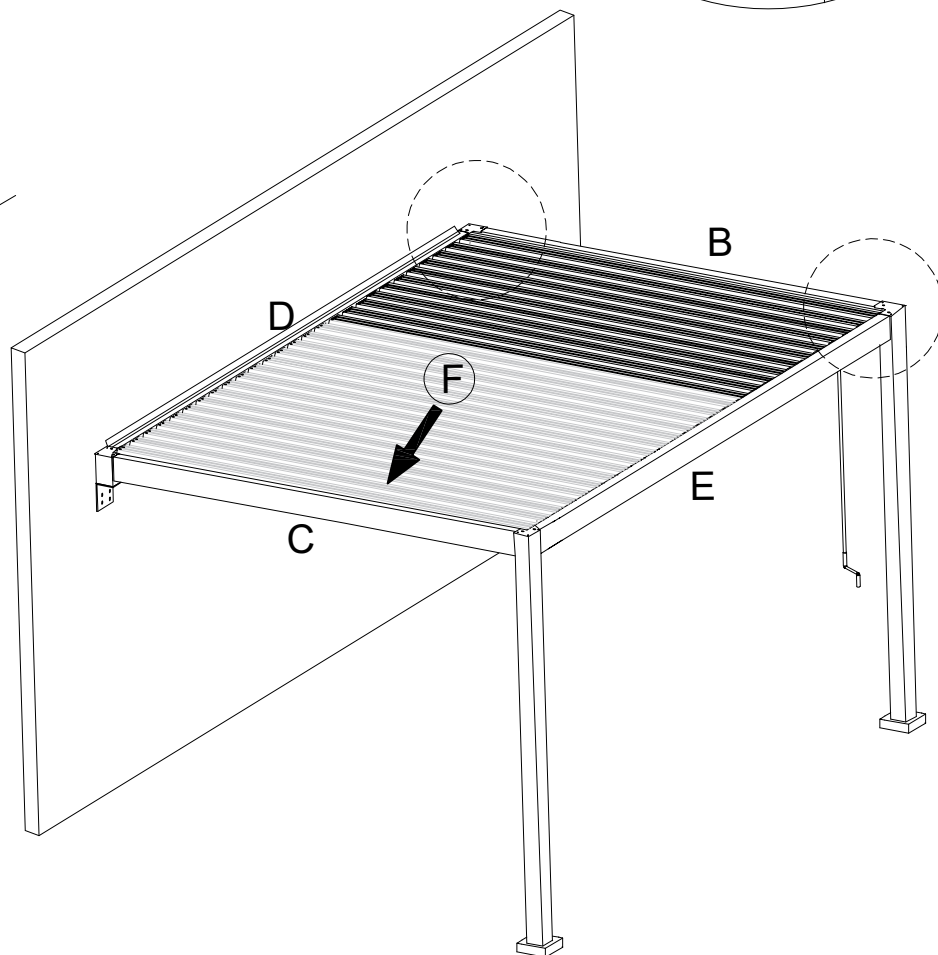
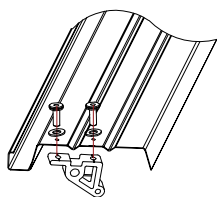
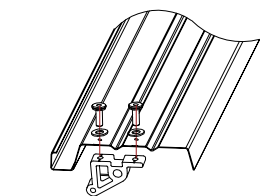
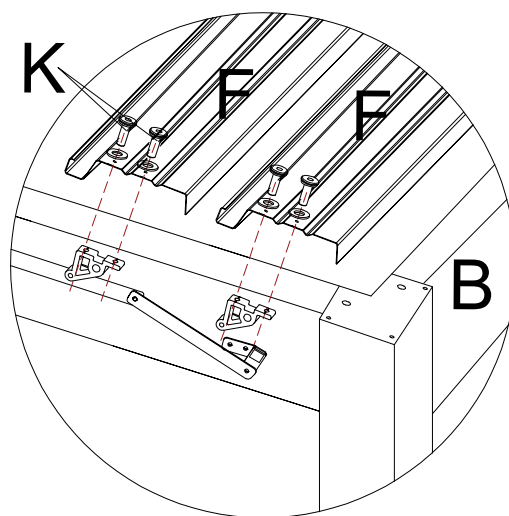
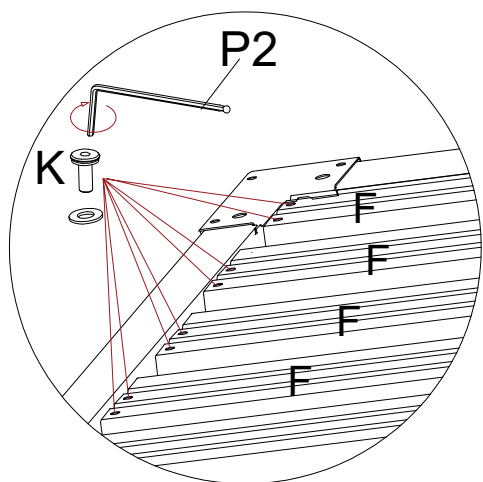


M6

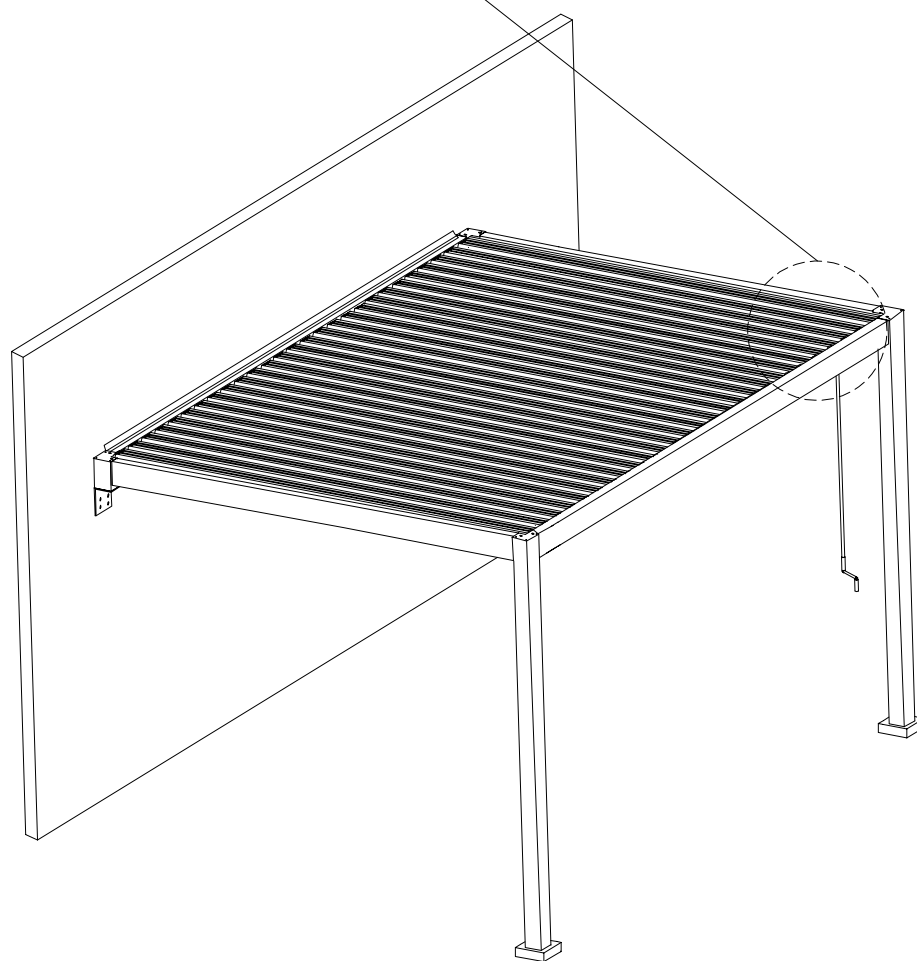
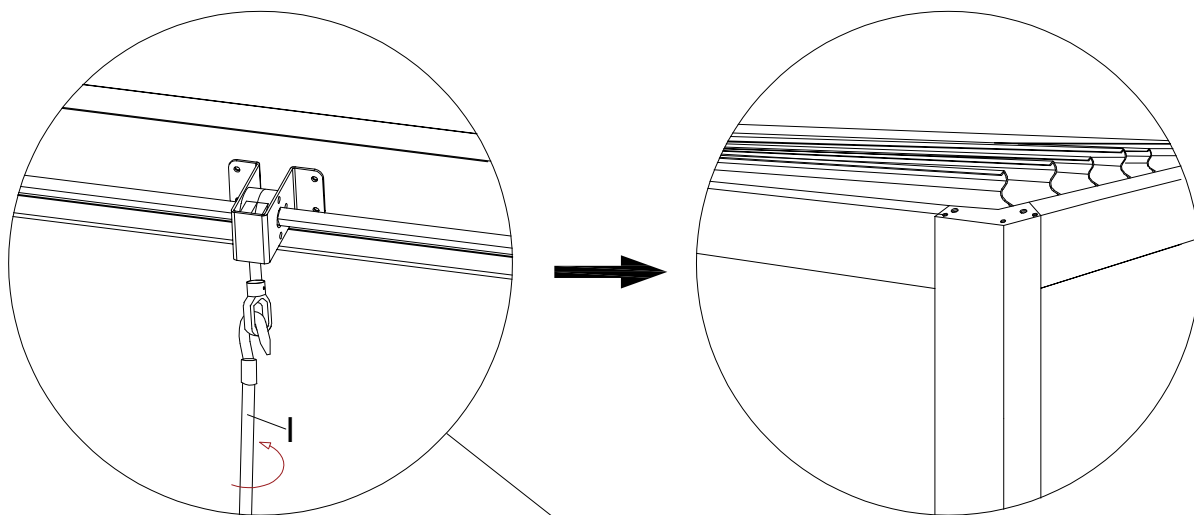
P2: 2PCS



K: 108PCS



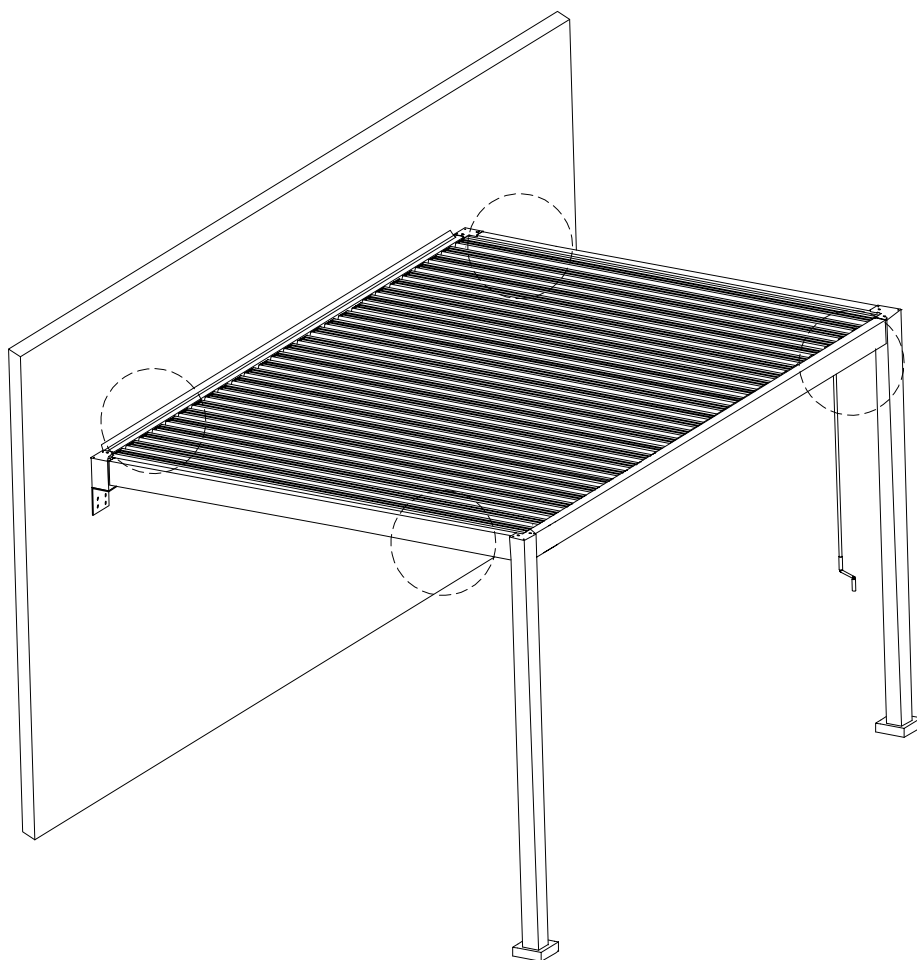
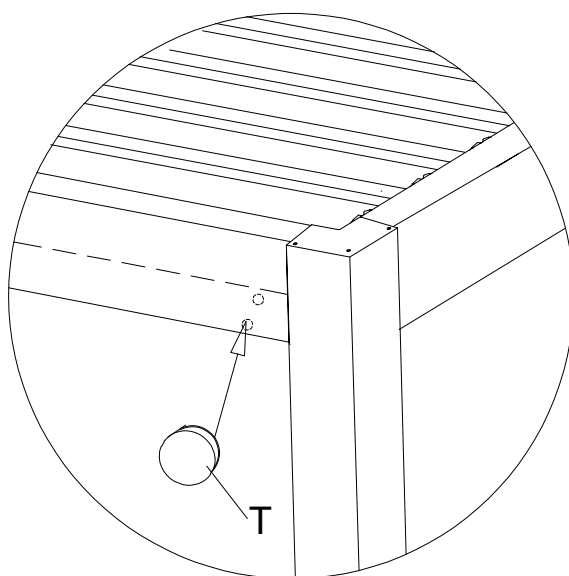
STEP 13



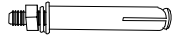
STEP 14

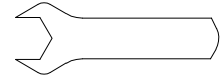


T: 8PCS



STEP 15

 L: 8PCS

 O: 1PCS

