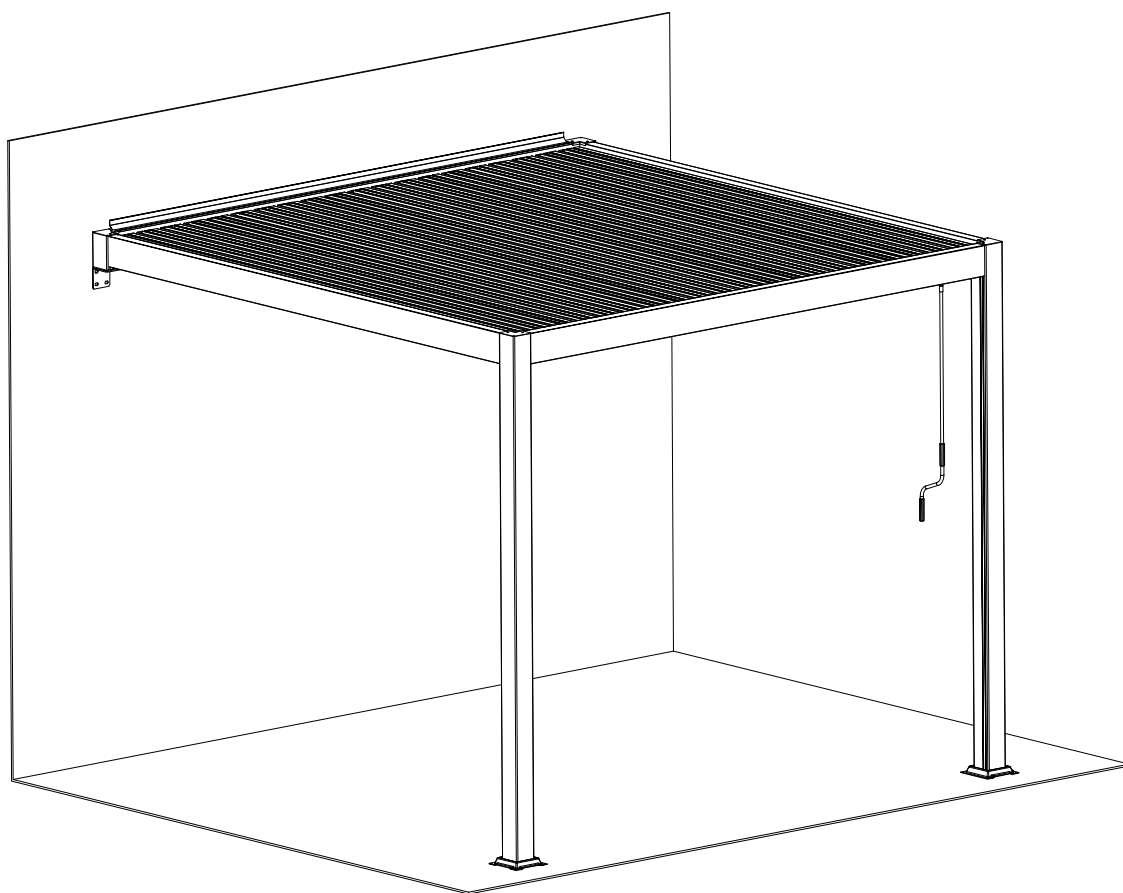





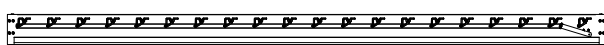

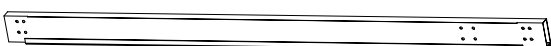

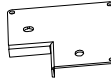
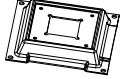

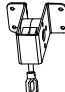

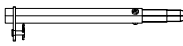

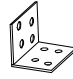
PERGOLA - 3 X 3M WITH WALL MOUNTING



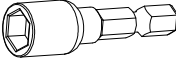

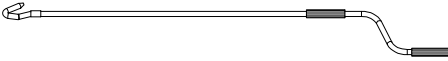

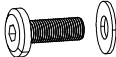
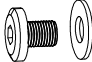
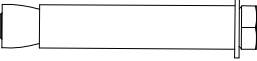
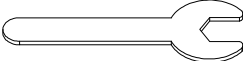


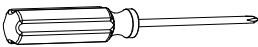
BARCODE:8050919

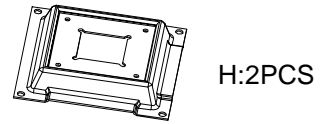
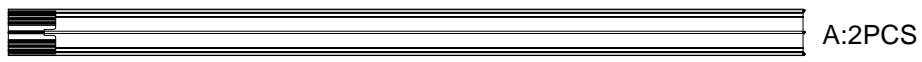


WARNING

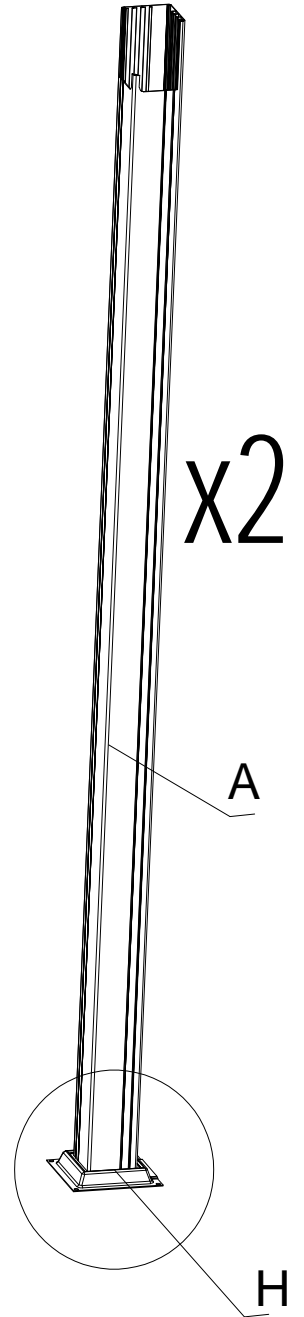
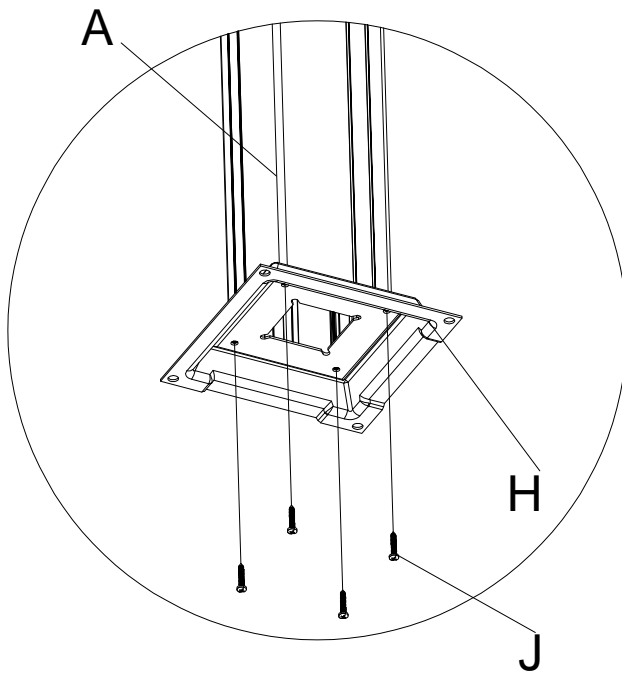
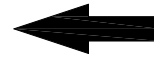
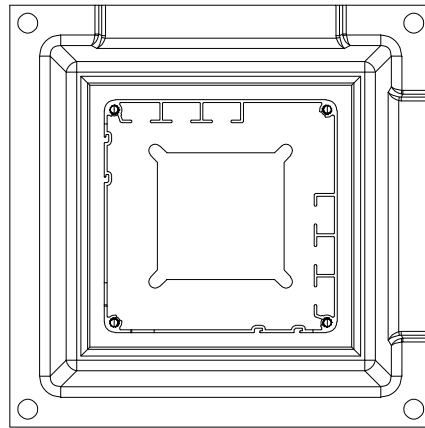
1. Install the product in strict accordance with the assembly instructions
2. The installation must be assembled by more than 3 adults
3. The installation should be on a flat ground of at least 5M x 5M, and the parts in contact with the ground should be padded to prevent scratching the surface of the product;
4. Checking the number of the parts against the parts list before installation
5. The pressure of the shutter is 20 kg per square meter, if the weight exceeds this value in extreme weather such as snow and ice, the shutter must be opened in advance
6. Shutter open and close, according to the direction of rotation, can not be too hard to rotate, so as not to damage the internal structure of the rotating device;
7. When pergola against wall and there is a gale, please open the louvers to keep ventilation.
8. Please clean the gutters regularly to avoid weep hole blocked by leaves or others.
9. When turn the crank handle in clockwise or anti-clockwise direction about 5 circles, louvers would be open or close completely.
10. Clean the product with a lightly moistened cloth and mild detergent. Strong detergents/solvents/alcohol must not be used on this product.
11. No walking on the top of the pergola.

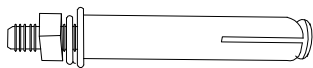
Name	part code	part sketch	Quantity
	A		2
	A1		2
	B		1
	C		1
	D		1
	E		1
	F		20
	G		4
	H		2
	1		1
	2		1
	3		2
	5		1
	6		1
	7		2

Name	part code	part sketch	Quantity
	9	 M10x62	8
	10		4
	11		1
	T		32+2
	I		1
	J	 M4.2x25	20+2
	S	 M6*15	24
	K	 M6x10	80+5
	L		8
	O		1
	P2	 M6	2
	Q	 M8	1
	R1		1



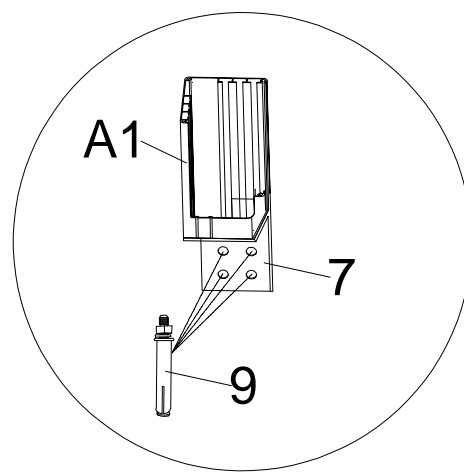
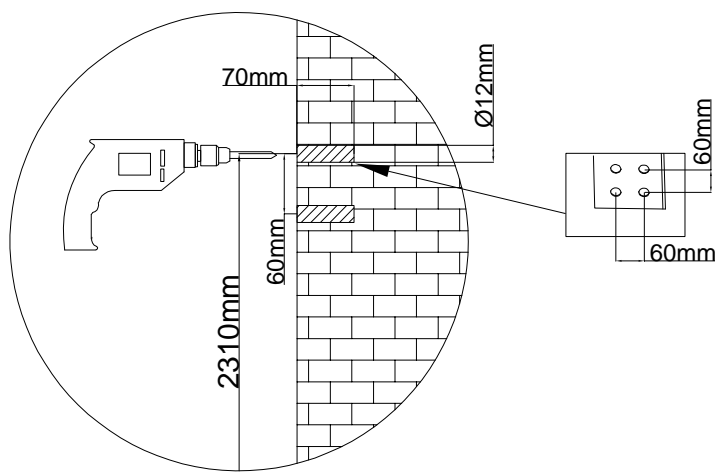
STEP:1

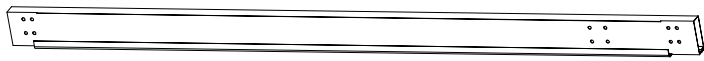




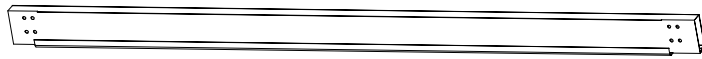
9:8PCS

STEP:3





E:1PCS

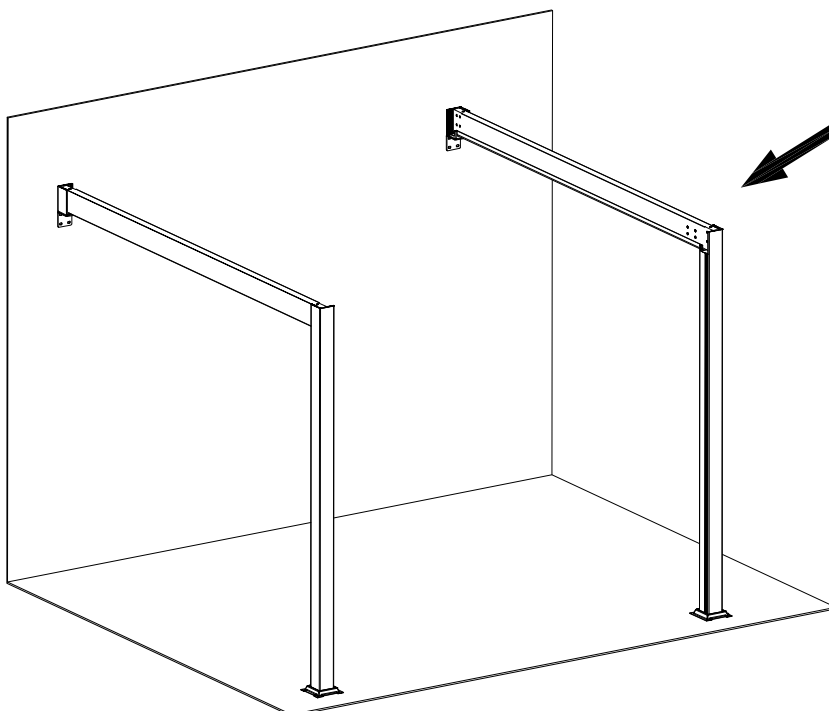
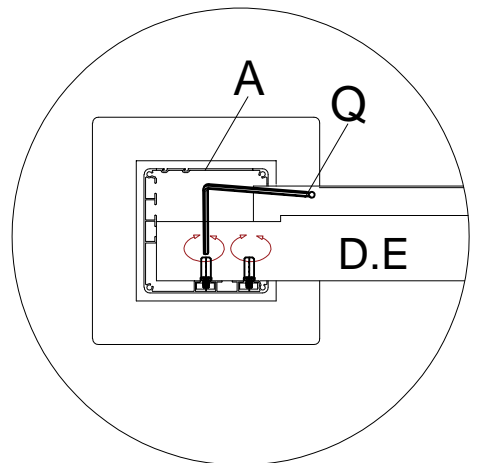
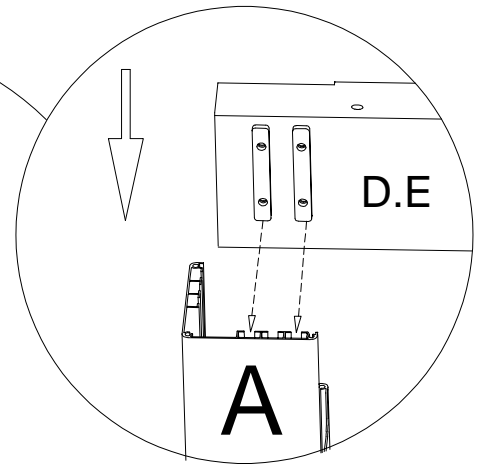
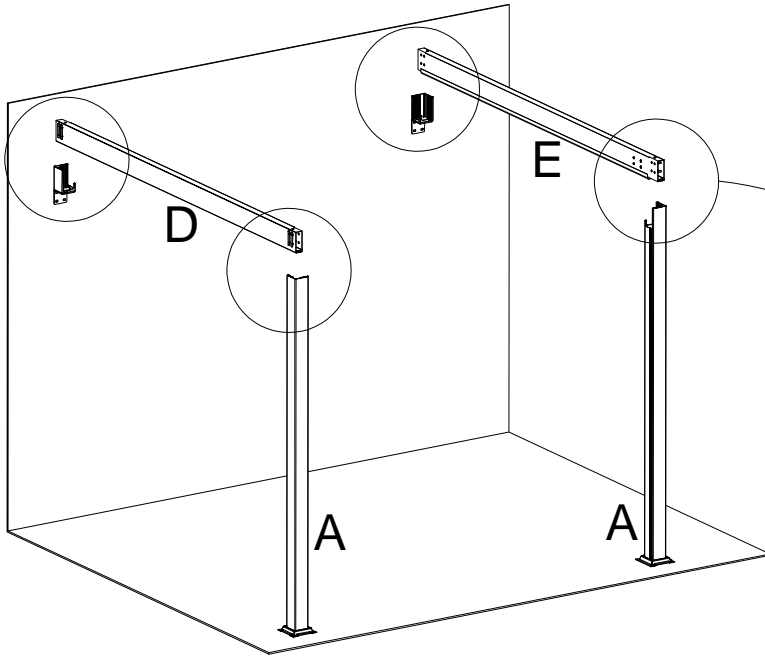


D:1PCS



Q:1PCS

STEP:4

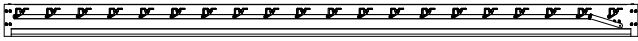




B:1PCS

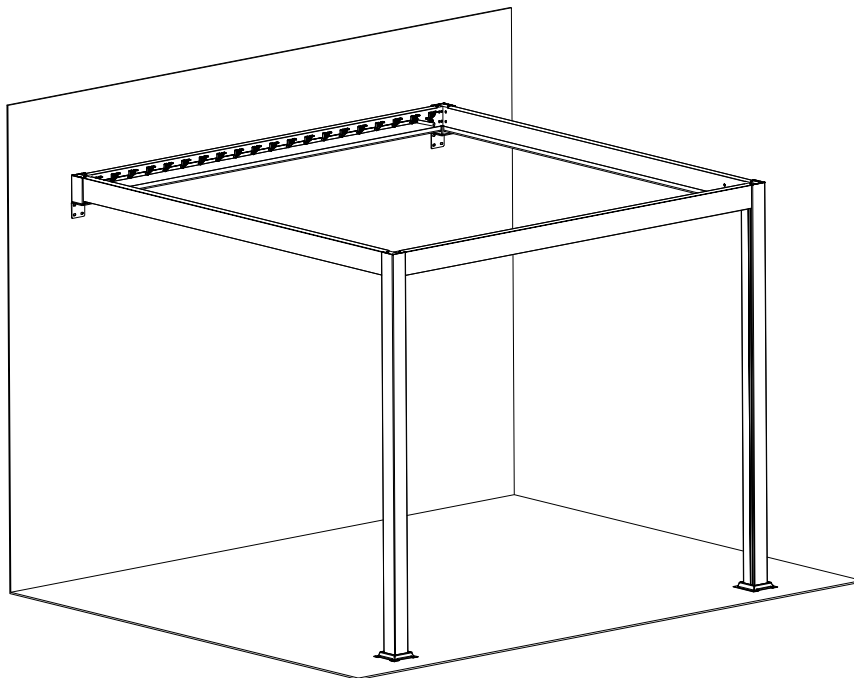
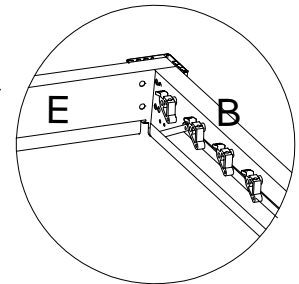
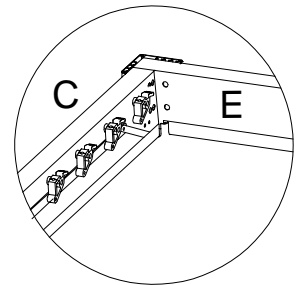
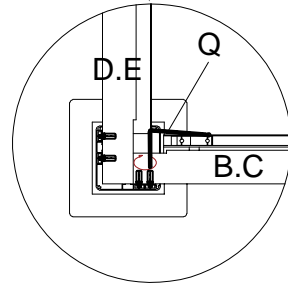
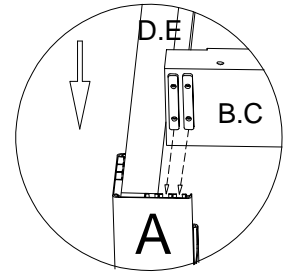
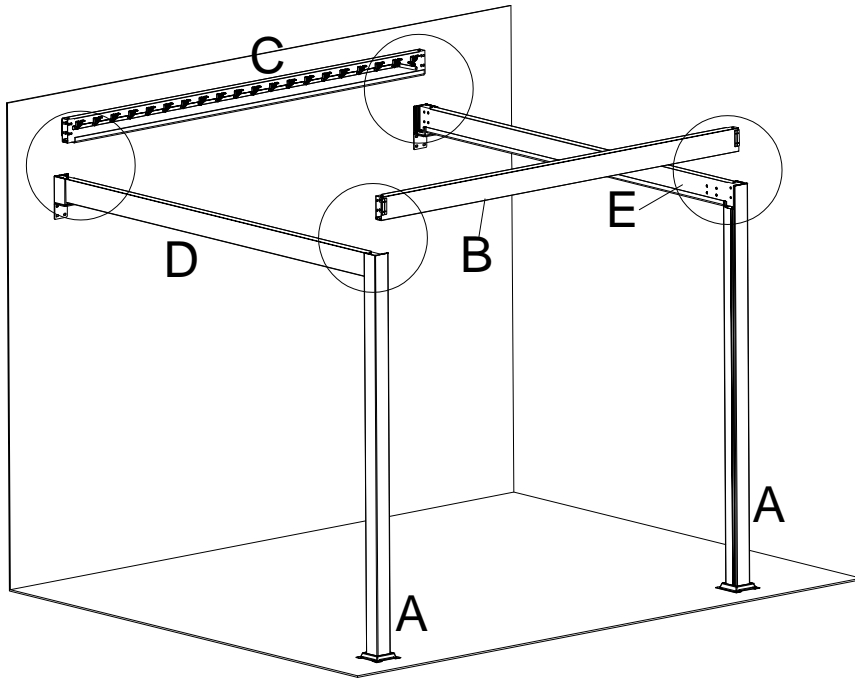


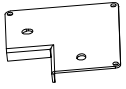
Q:1PCS



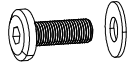
C:1PCS

STEP:5





G:4PCS



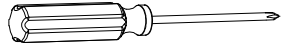
S:8PCS



T:24PCS



J:12PCS

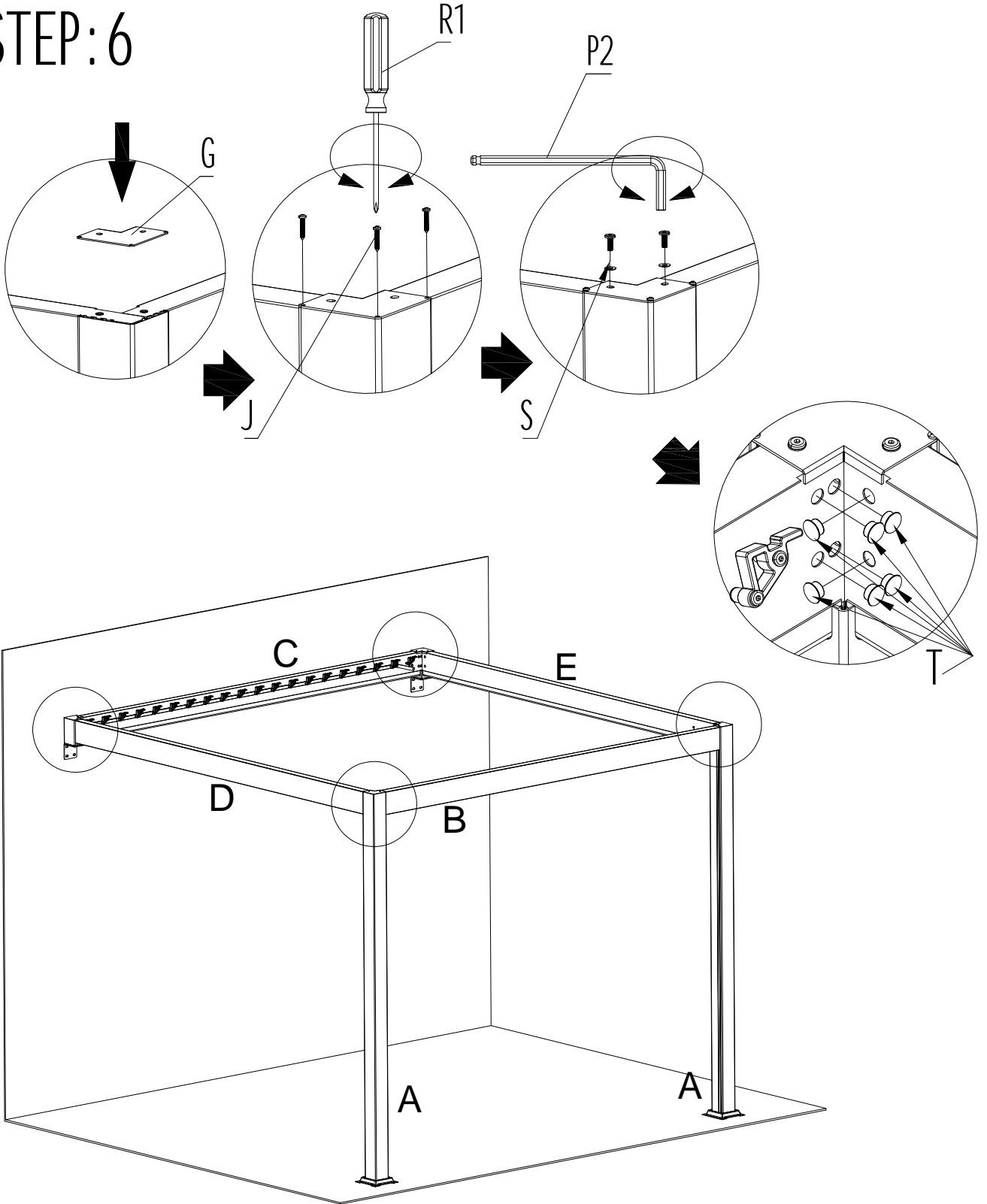


R1:1PCS



P2:1PCS

STEP:6



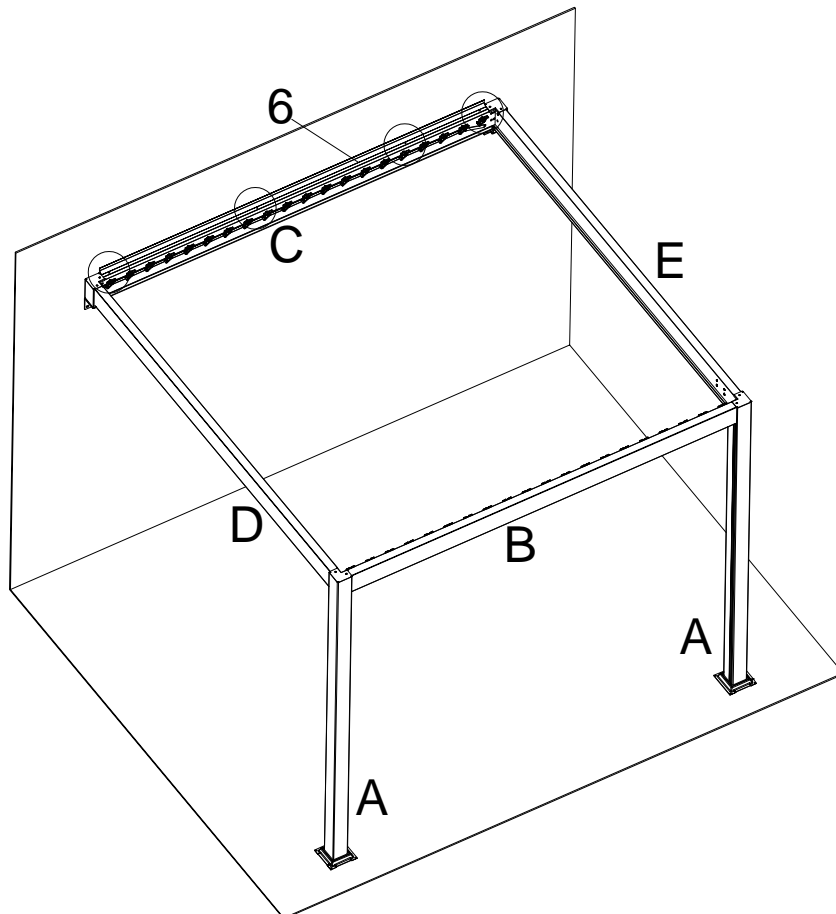
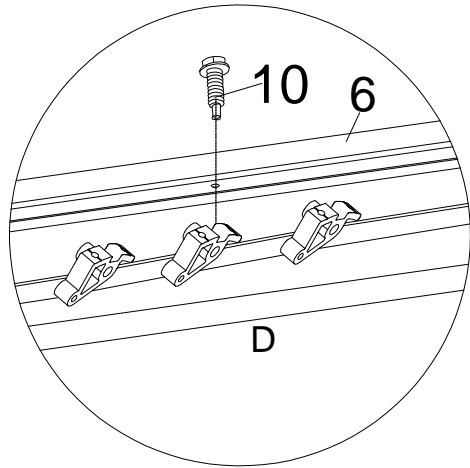
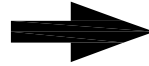
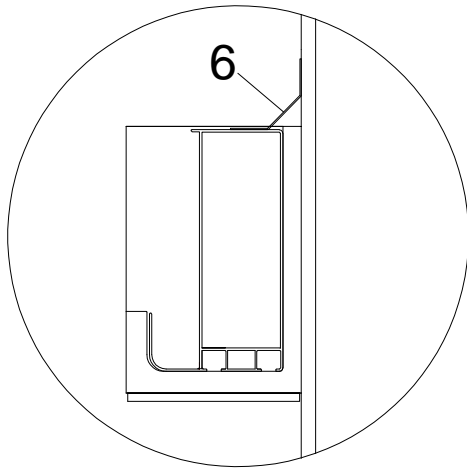


6:1PCS

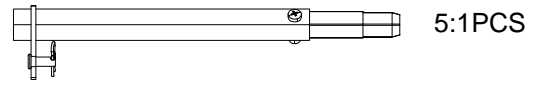
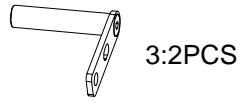
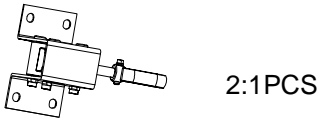


10:4PCS

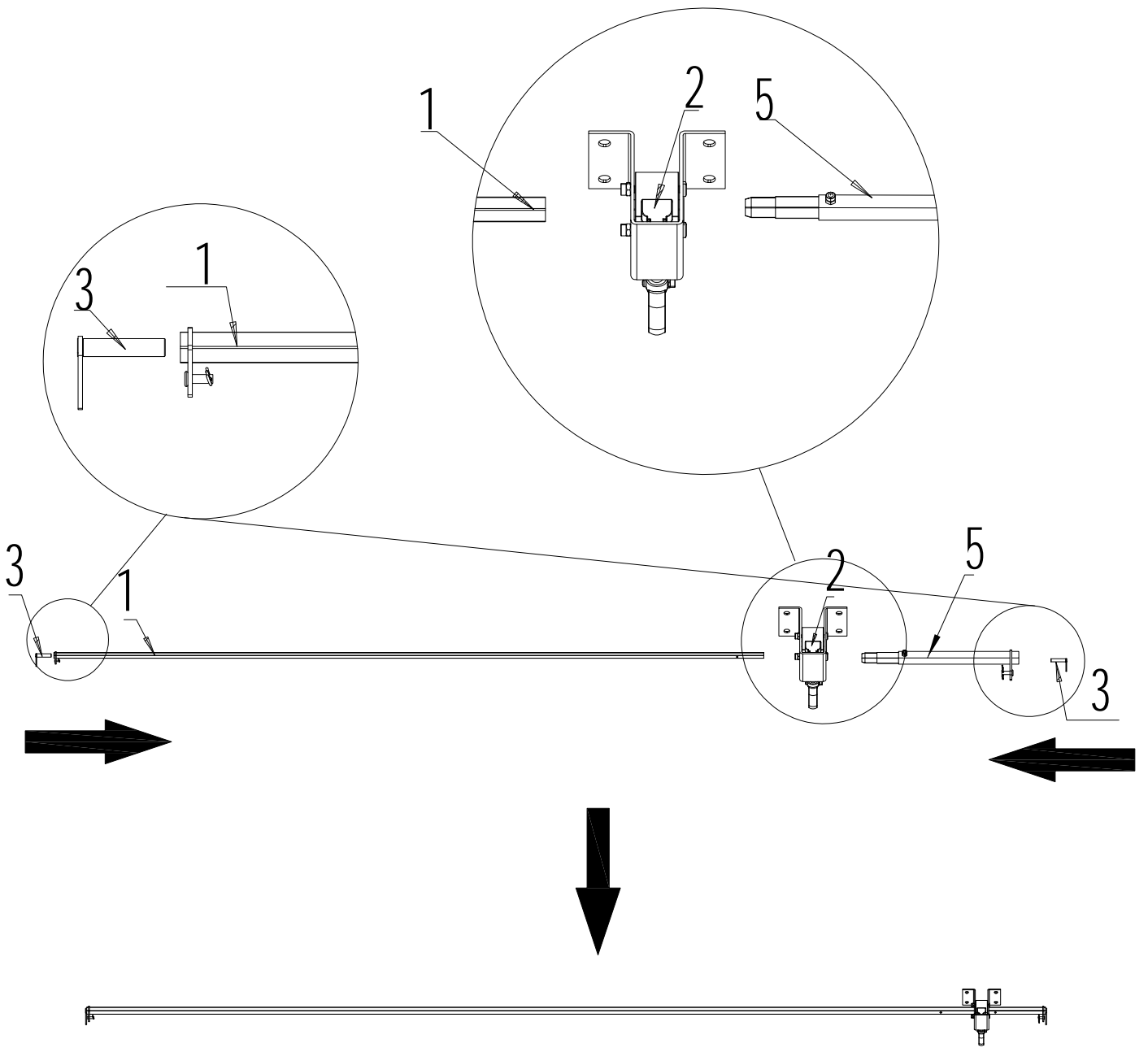
STEP:7



1:1PCS

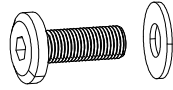


STEP:8



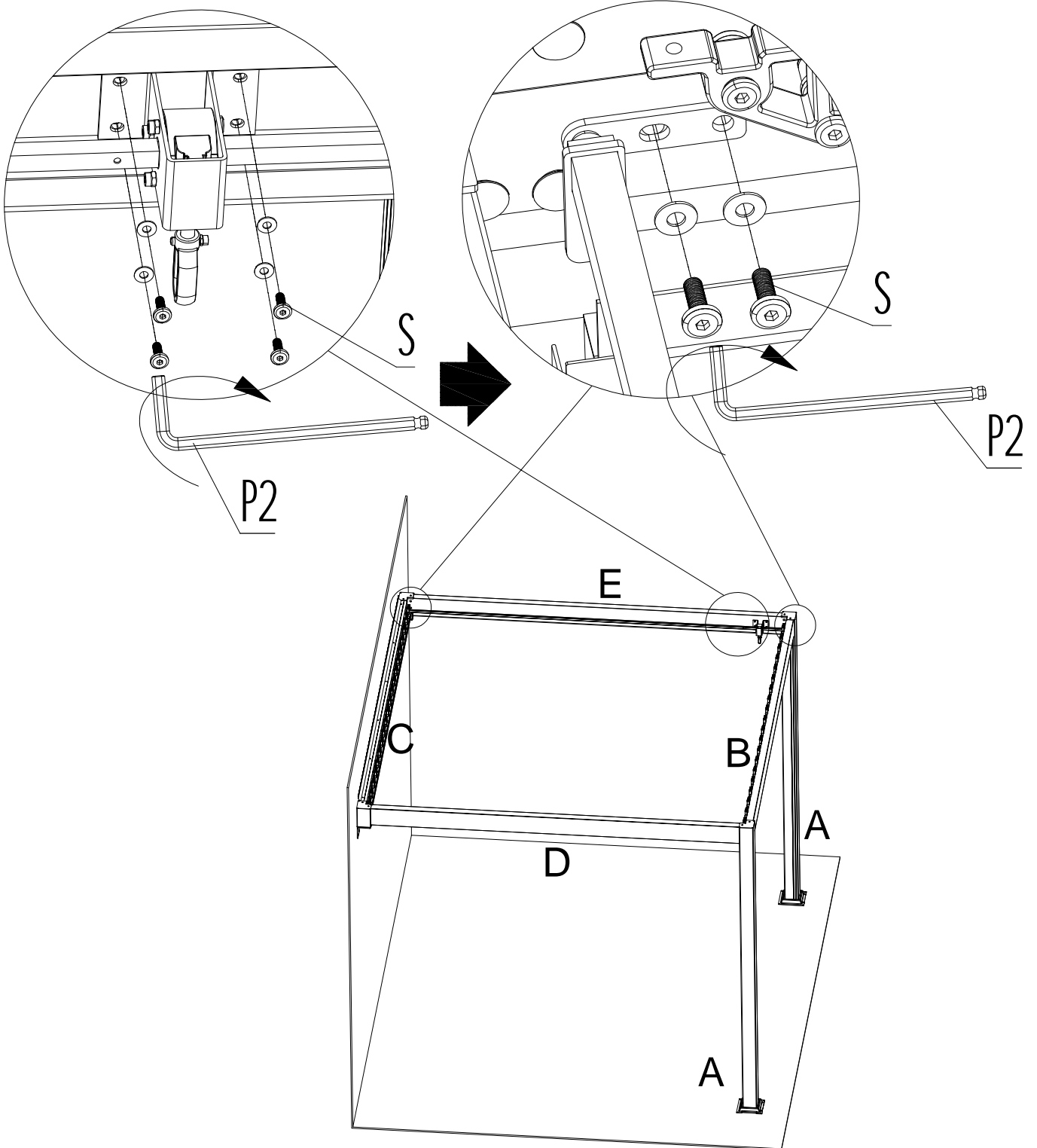


P2:1PCS

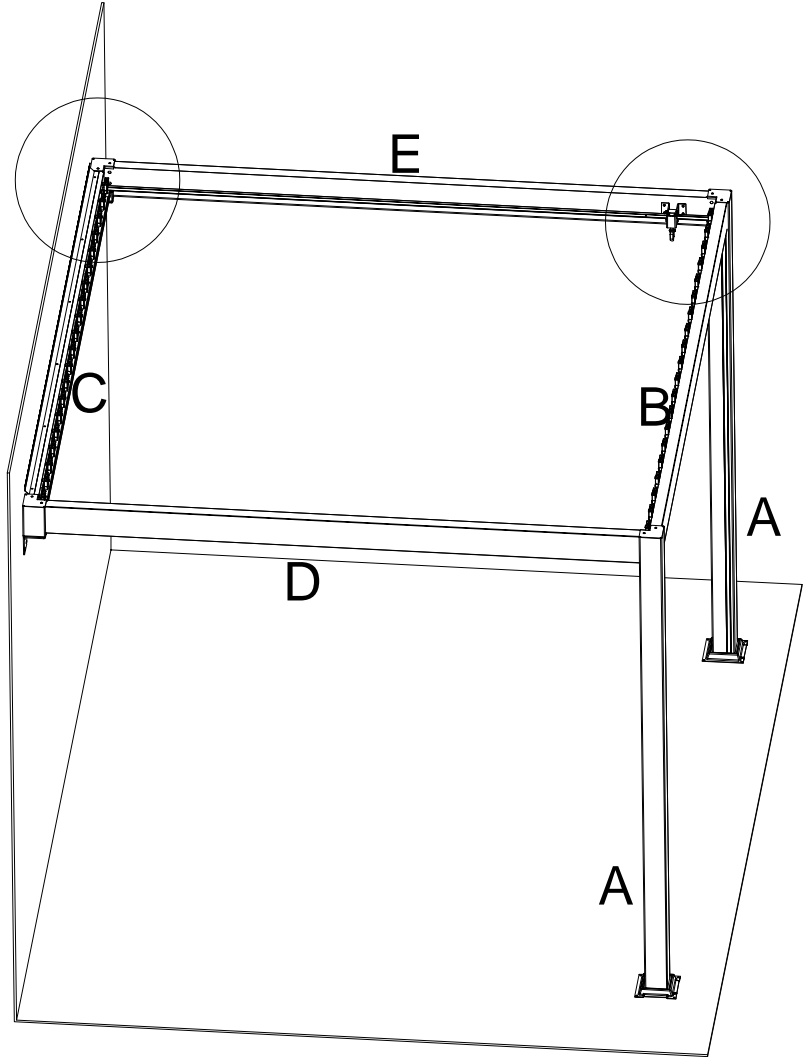
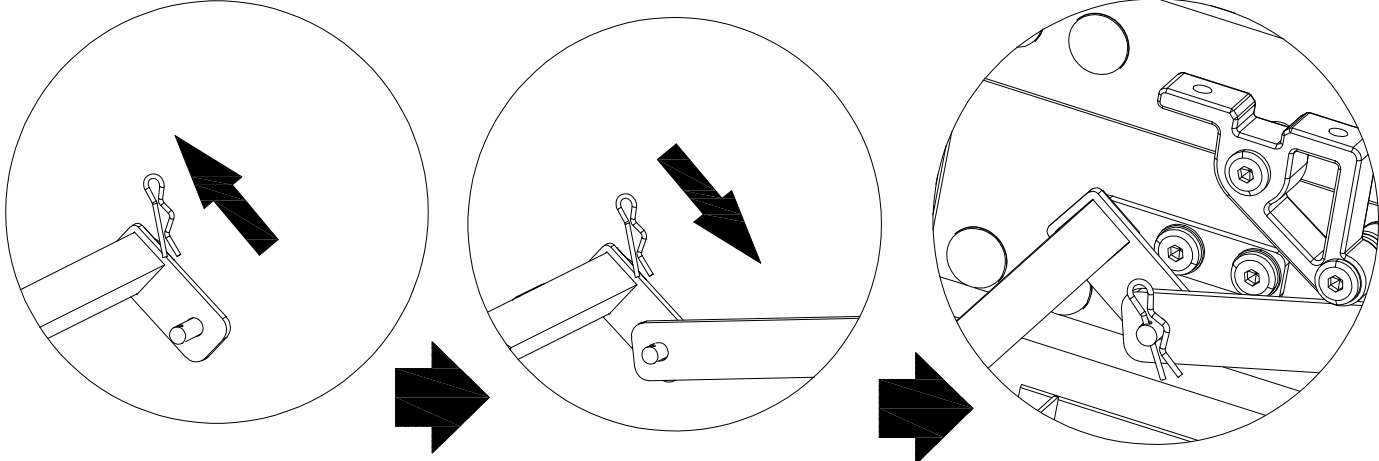


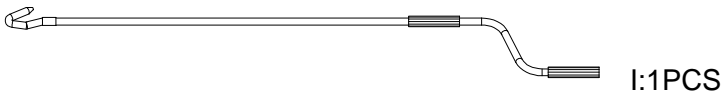
S:8PCS

STEP:9

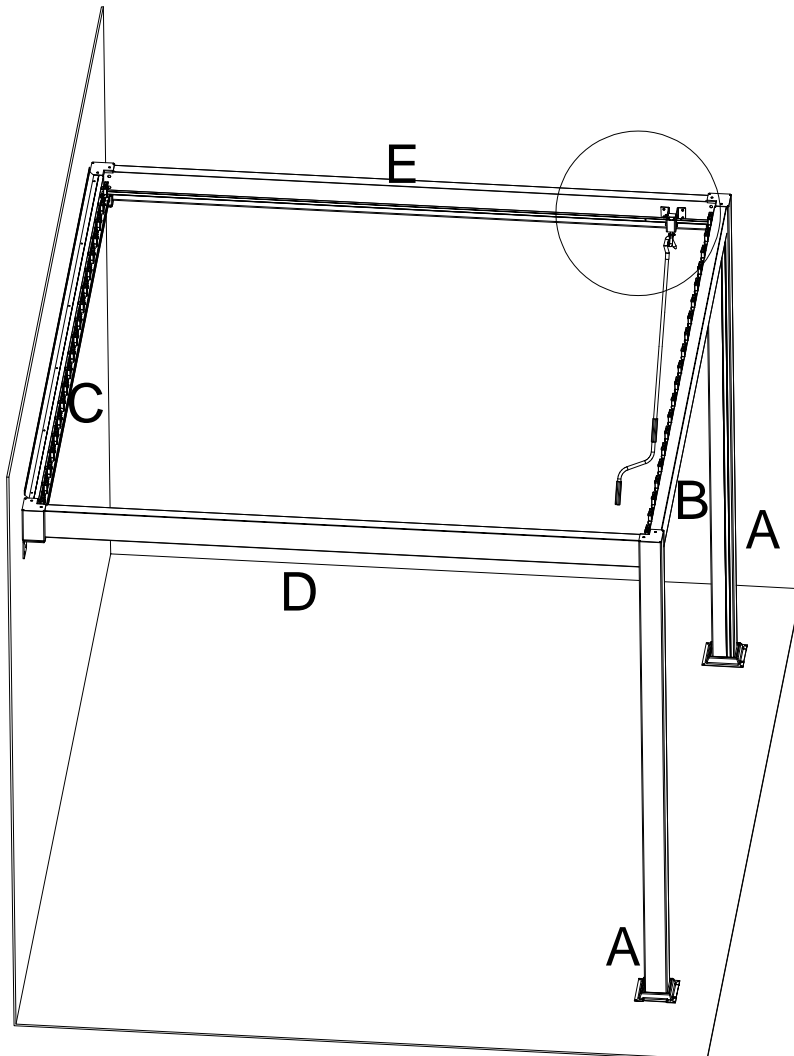
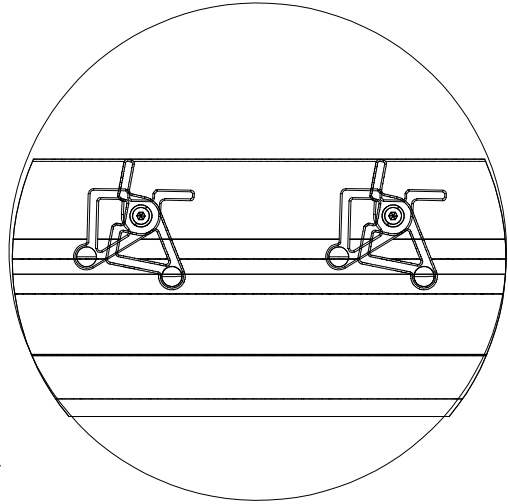
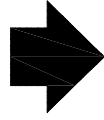
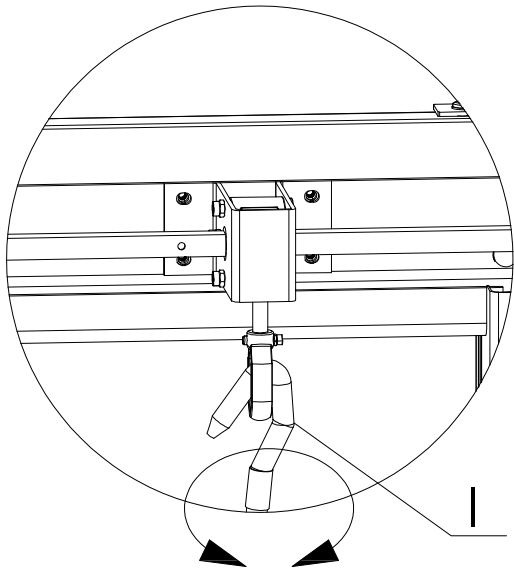


STEP: 10



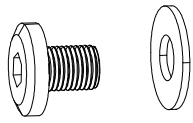


STEP:11

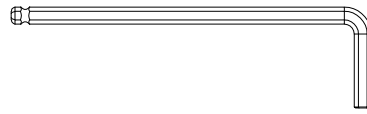




F:20PCS

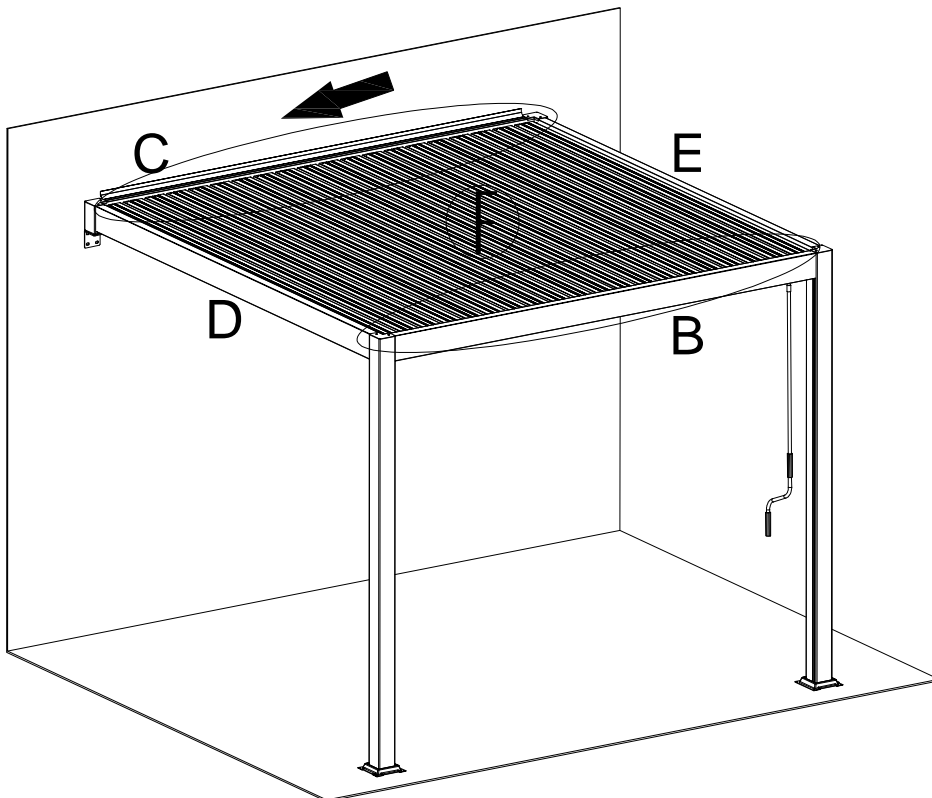
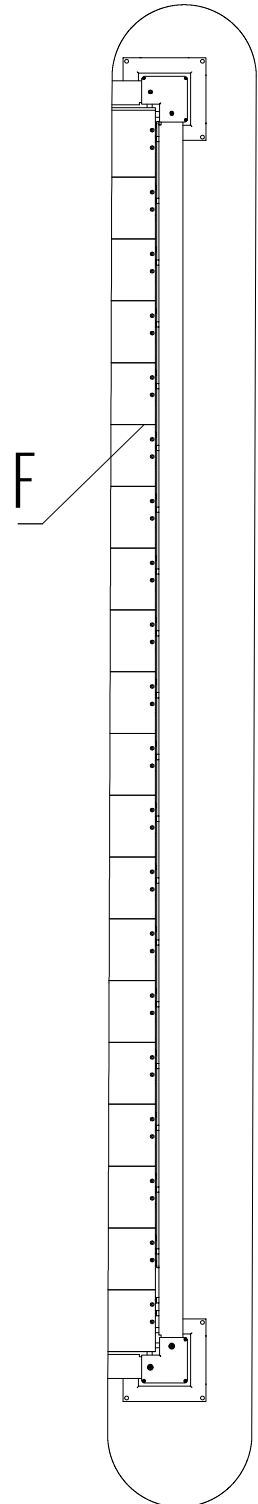
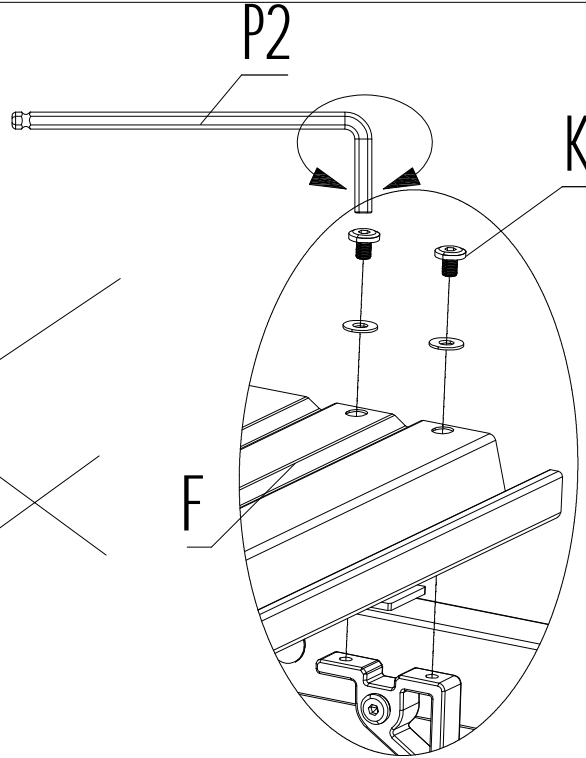
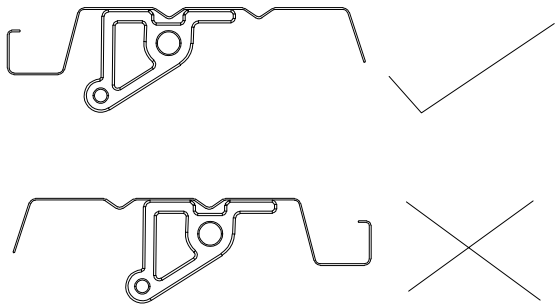


K:80PCS

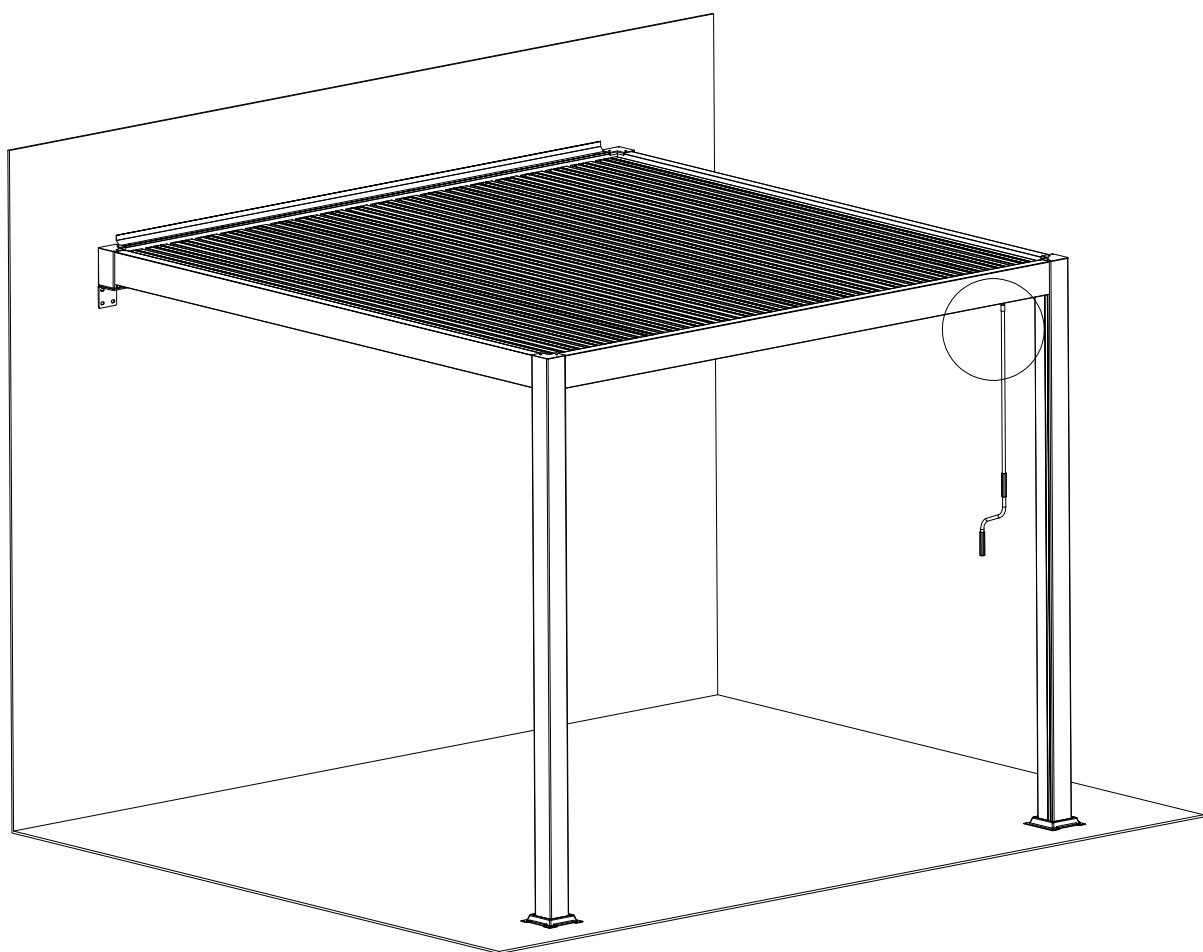
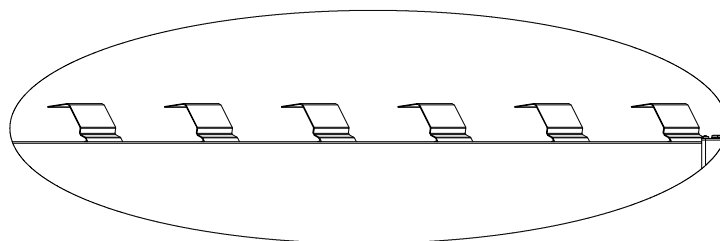
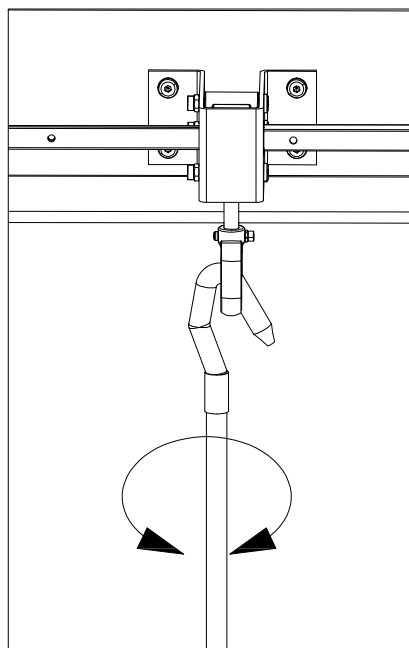


P2:2PCS

STEP:12



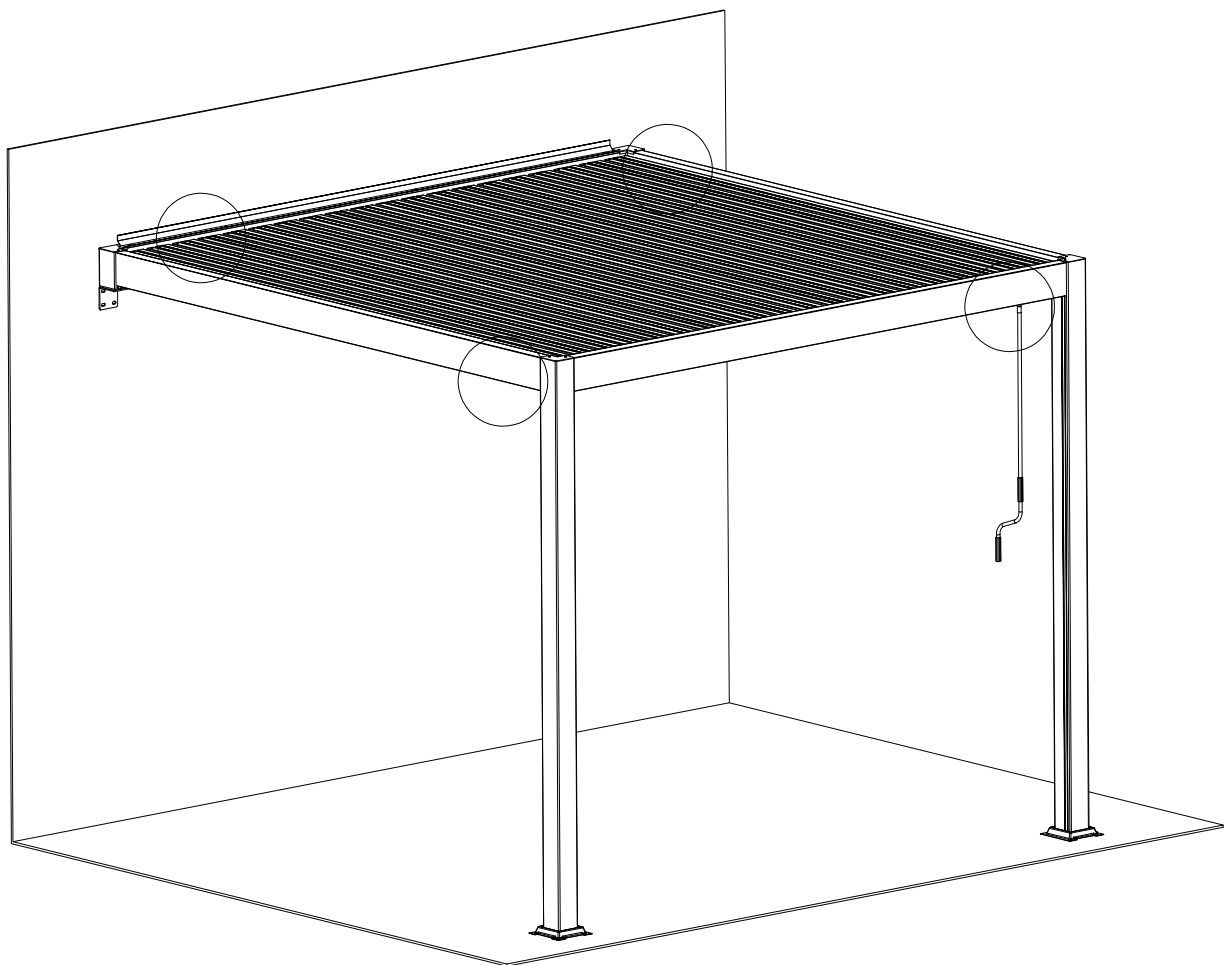
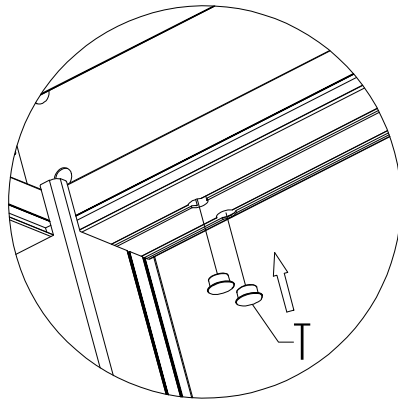
STEP: 13

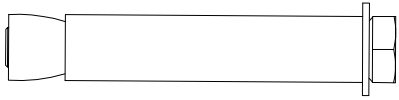




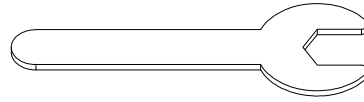
T: 8PCS

STEP: 14





L:8PCS



O:1PCS

STEP: 15

