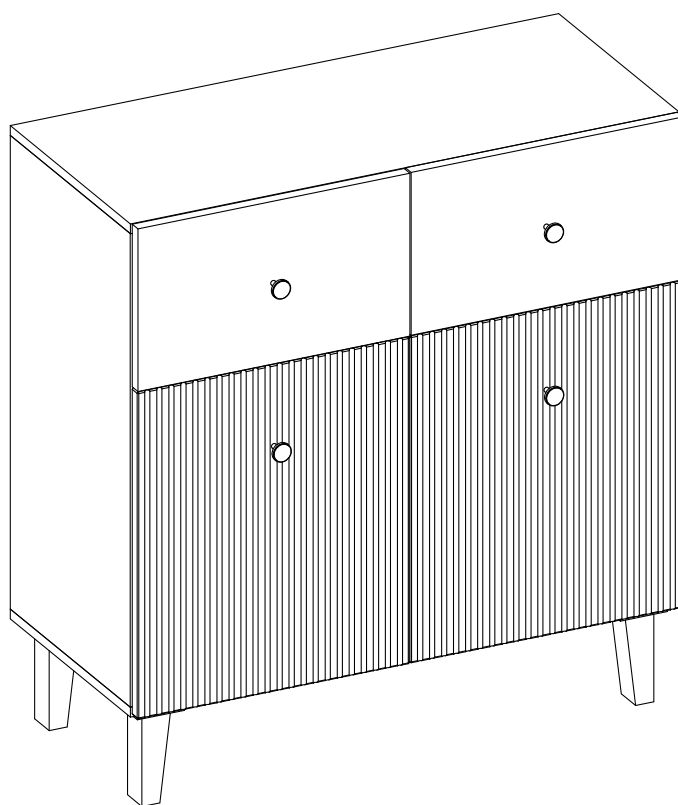
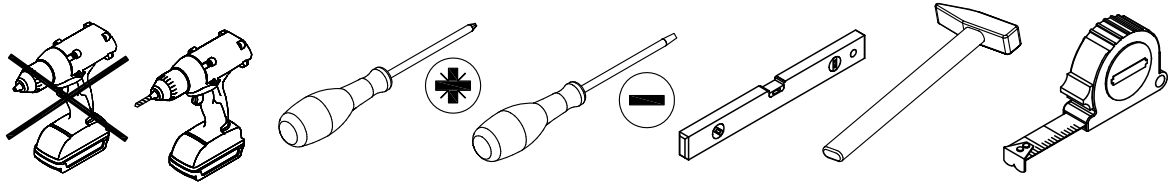
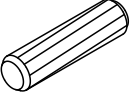
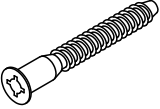

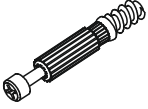
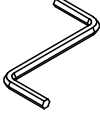

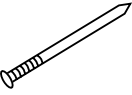
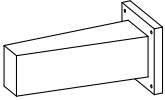
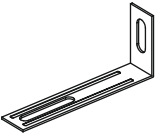


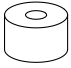

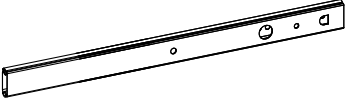
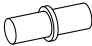


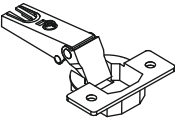
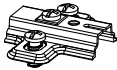



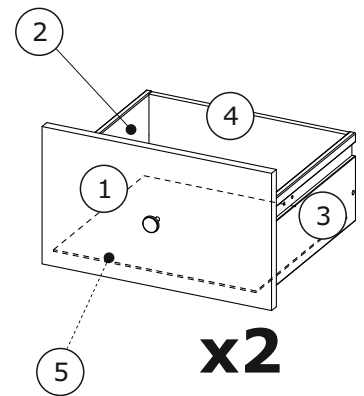
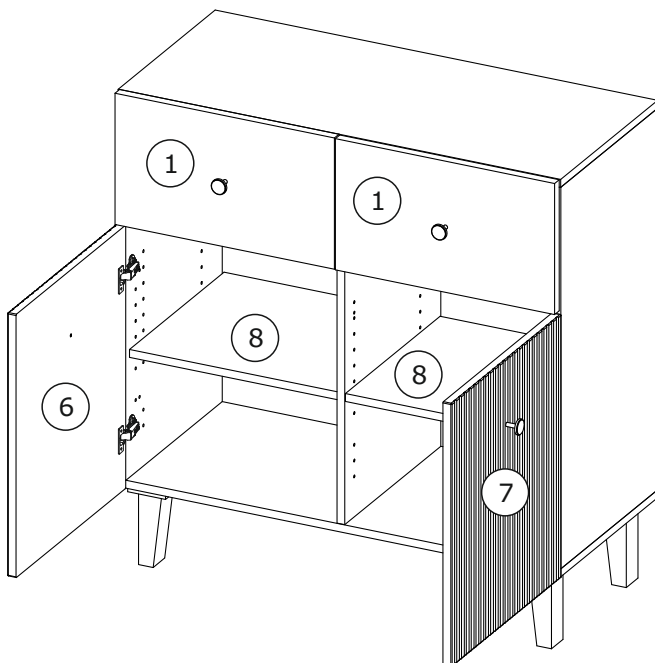
# Berlin

## Chest of drawers 2D2S



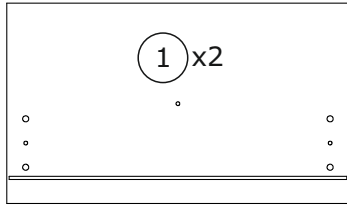


<p>A1 x 8</p>  <p>Ø6x30 mm</p>	<p>B x 4</p>  <p>Ø7x50 mm</p>	<p>C x 4</p>  <p>Ø15x10 mm</p>	<p>D x 4</p>  <p>Ø5x44 mm</p>	<p>E x 1</p>  <p>● 4 mm</p>	<p>F x 4</p>  <p>20 mm</p>
<p>G x 8</p>  <p>1,2x25 mm</p>	<p>H x 4</p> 	<p>I x 2</p> 	<p>J x 10</p>  <p>3,5x16 mm</p>	<p>K x 4</p>  <p>Ø6,3x20 mm</p>	<p>L x 4</p>  <p>8 mm</p>
<p>M x 4</p>  <p>Ø6,3x13 mm</p>	<p>N x 4</p>  <p>310 mm</p>		<p>O x 8</p>  <p>Ø5mm</p>	<p>P x 4</p> 	<p>Q x 4</p>  <p>4x9 mm</p>
<p>R x 4</p> 	<p>S x 4</p> 	<p>T x 16</p>  <p>4x20 mm</p>			

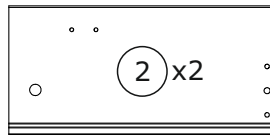




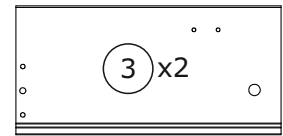
## BOX 1/1:



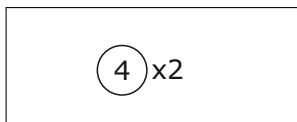
452x265x18 mm



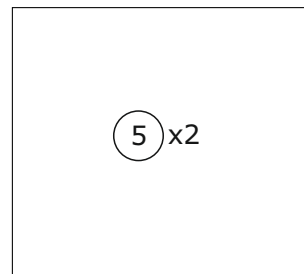
350x170x12 mm



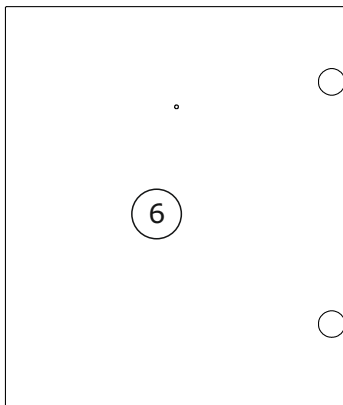
350x170x12 mm



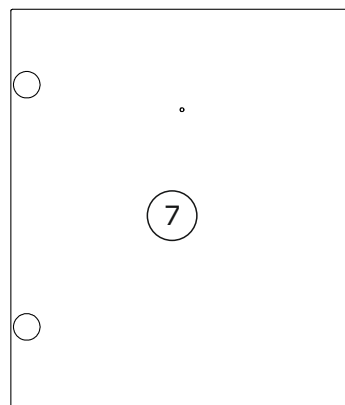
389x155x12 mm



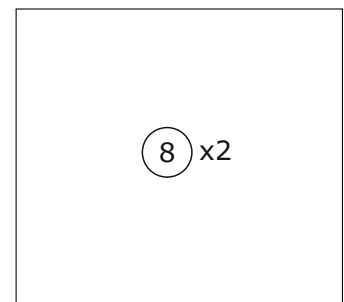
399x356x3 mm



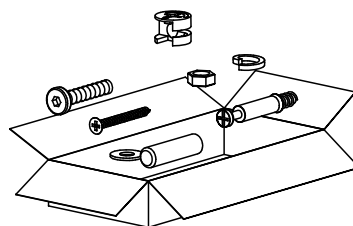
532x452x18 mm



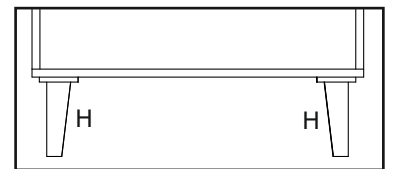
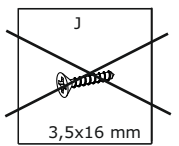
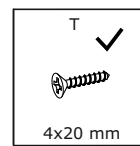
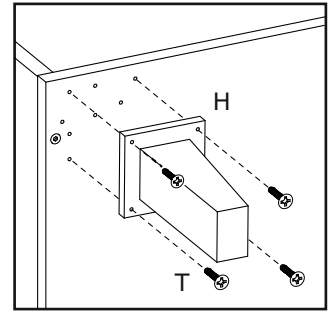
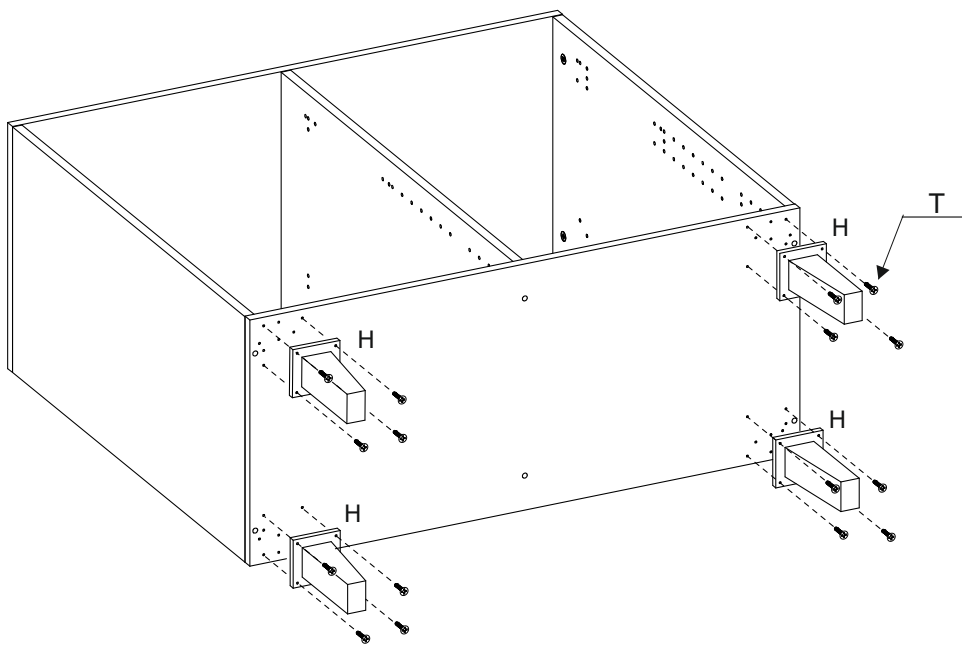
532x452x18 mm



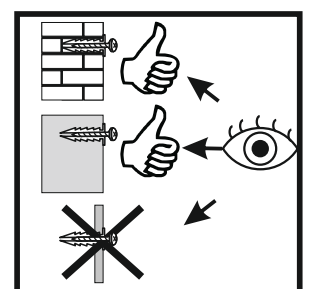
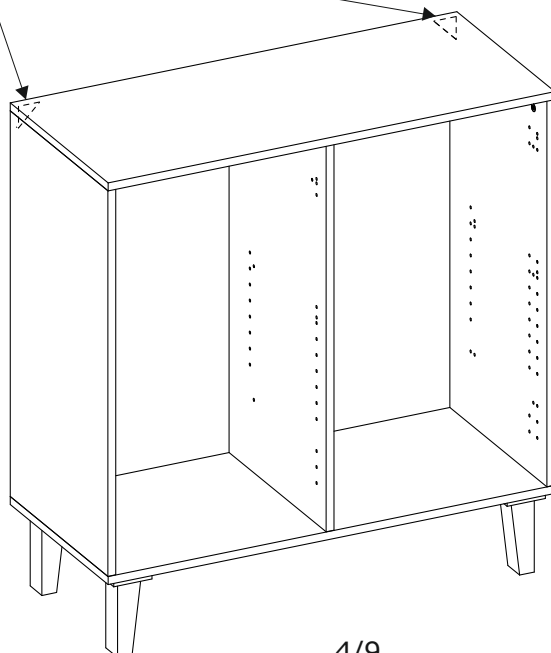
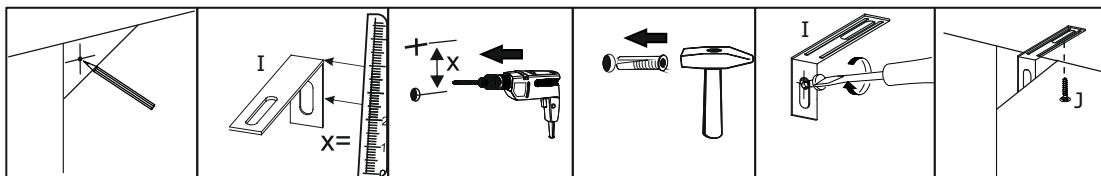
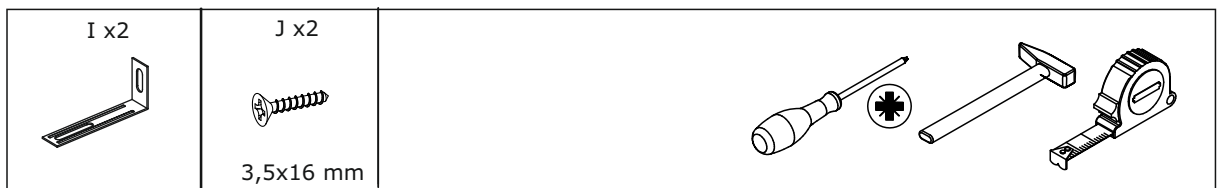
431x390x16 mm



1

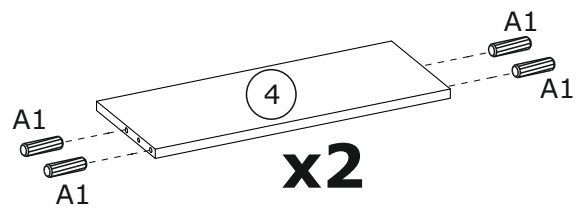
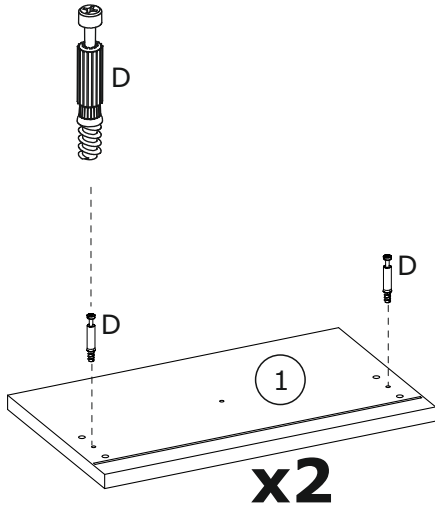
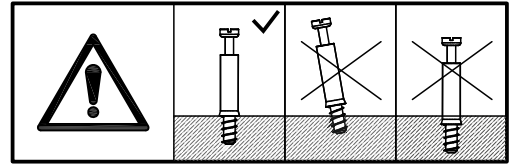


2



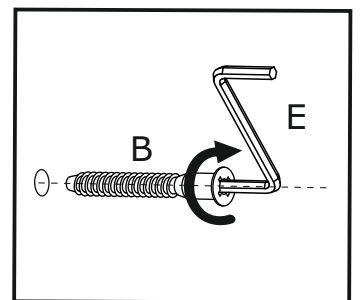
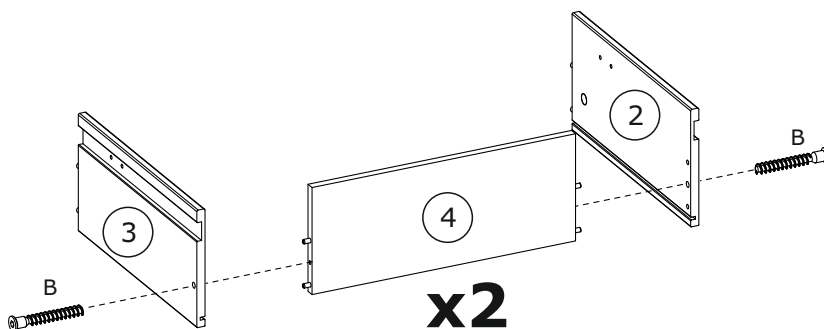
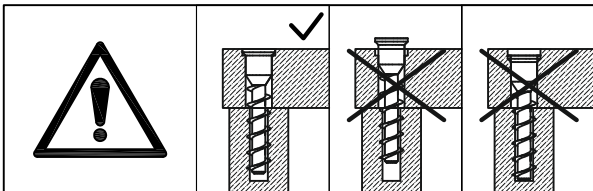
3

D x 4  Ø5x44 mm	A1 x 8  Ø6x30 mm	
--------------------------------------------------------------------------------------------------------	---------------------------------------------------------------------------------------------------------	-------------------------------------------------------------------------------------



4

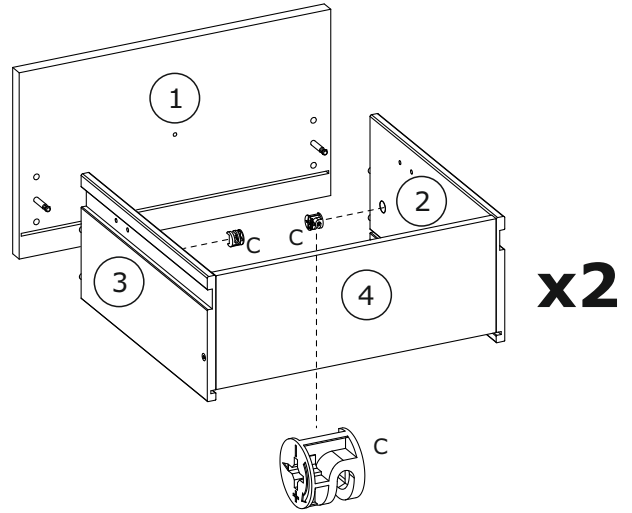
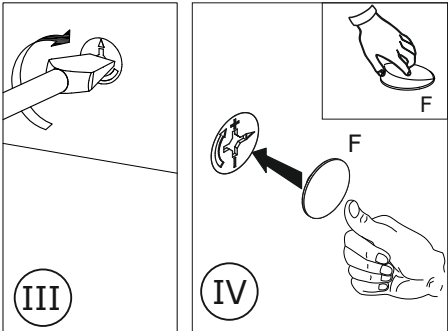
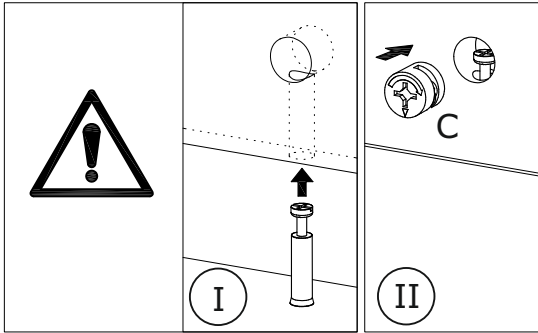
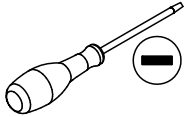
B x 4  Ø7x50 mm	E x 1  ● 4 mm	
----------------------------------------------------------------------------------------------------------	--------------------------------------------------------------------------------------------------------	--



5

C x 4  
Ø15x10 mm

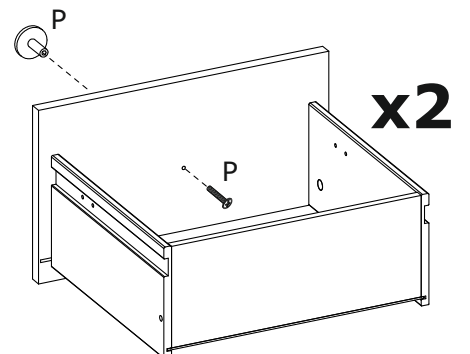
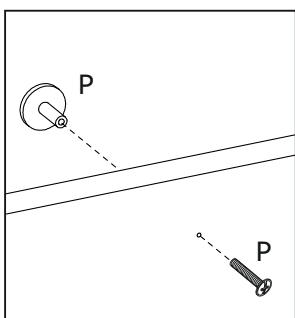
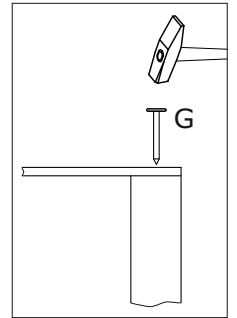
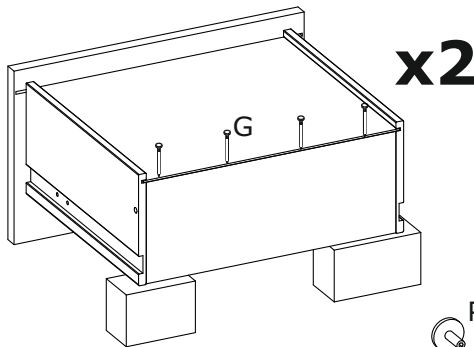
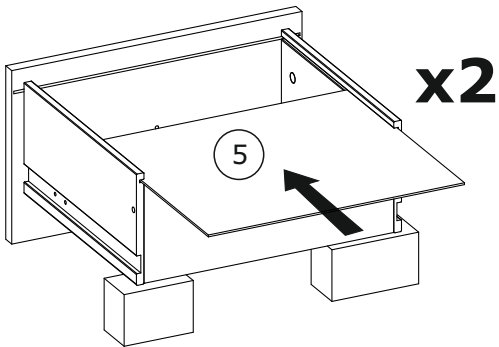
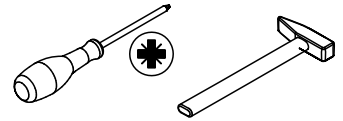
F x 4  
20 mm



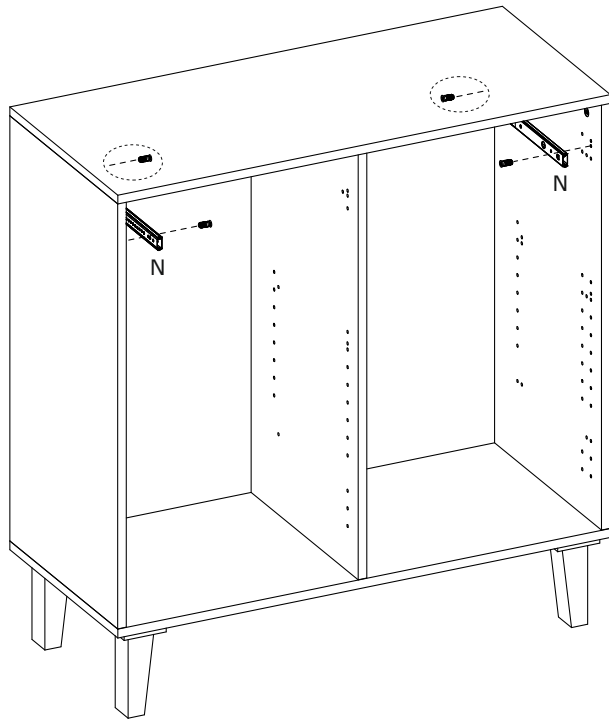
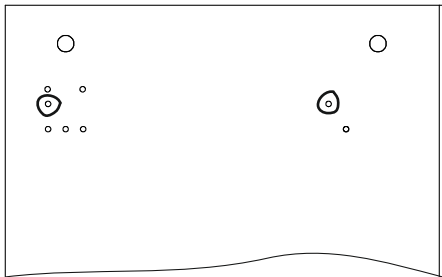
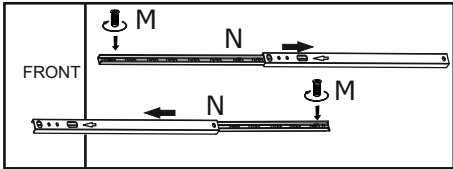
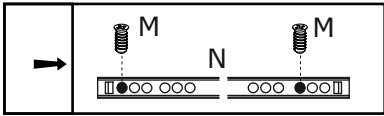
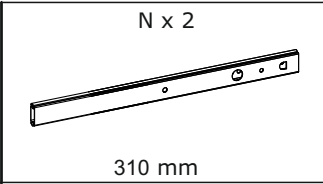
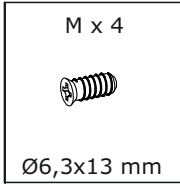
6

G x 8  
1.2x25 mm

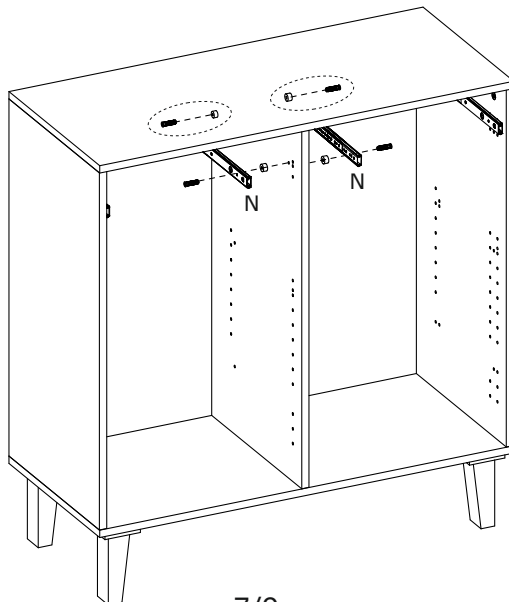
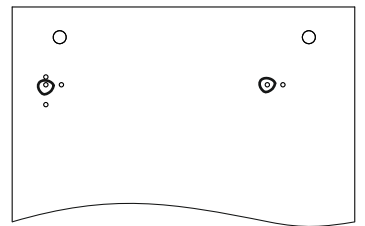
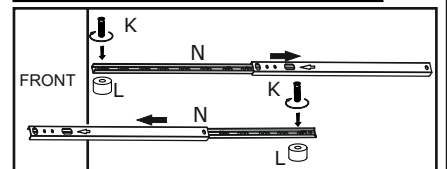
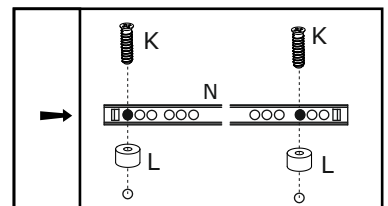
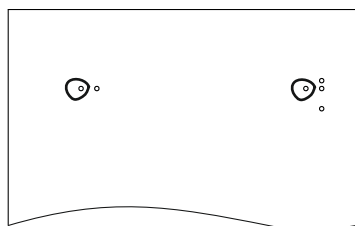
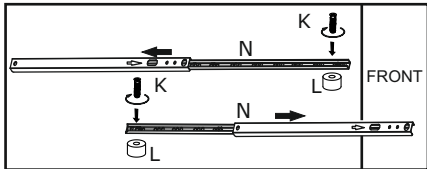
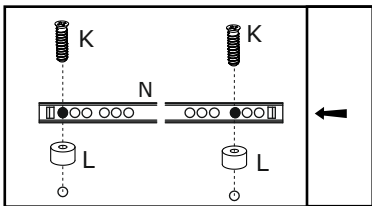
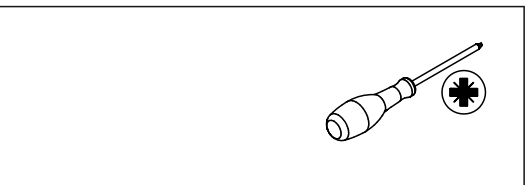
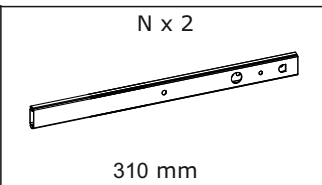
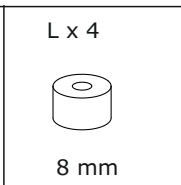
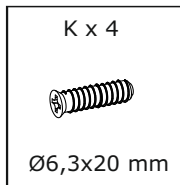
P x 2



7



8

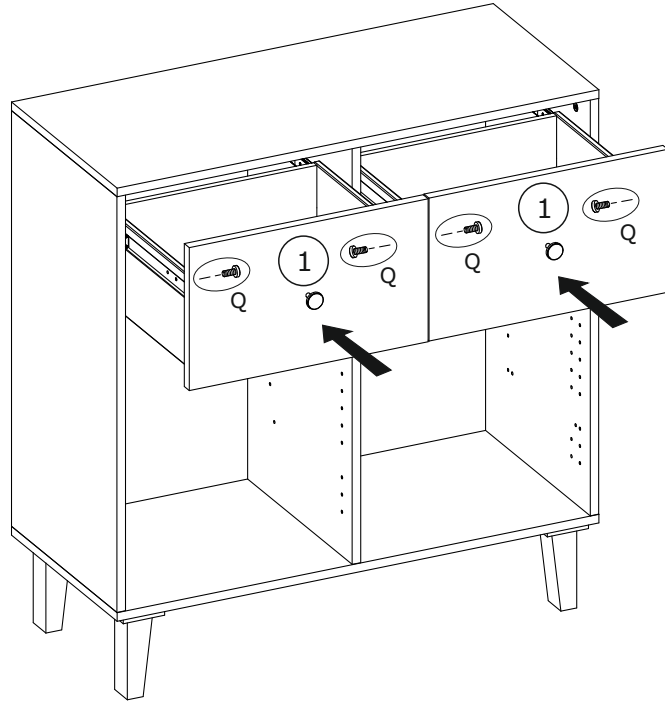
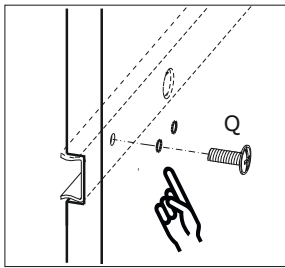
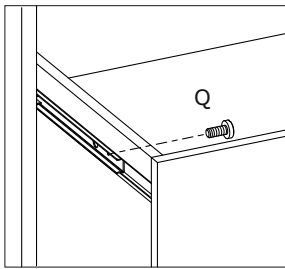
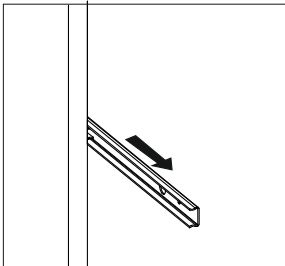
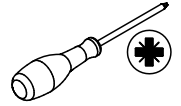


9

Q x 4



4x9 mm

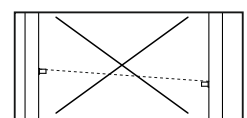
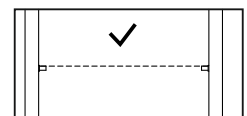
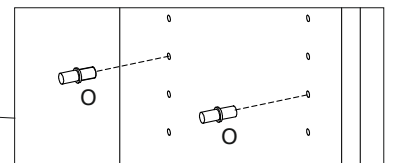
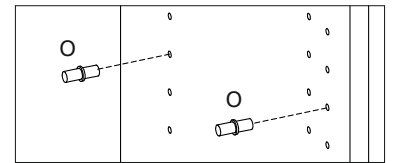
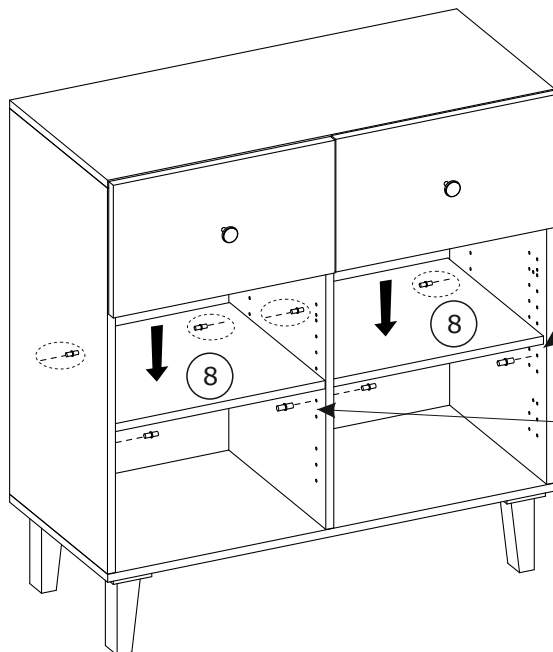
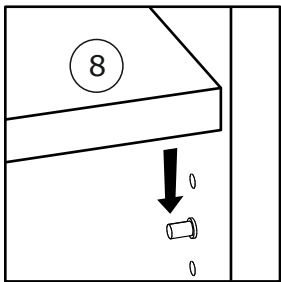


10

O x 8

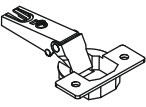
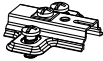

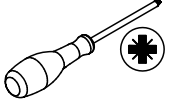


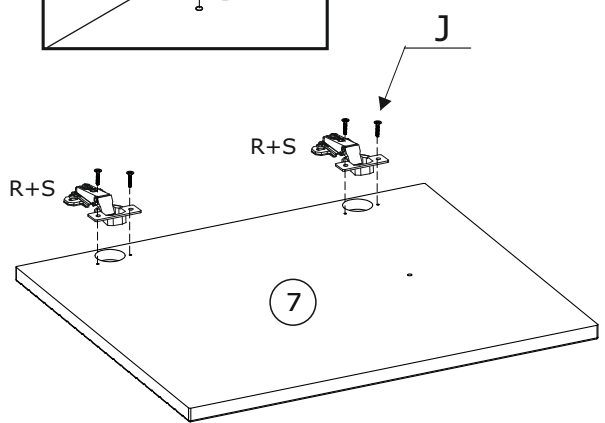
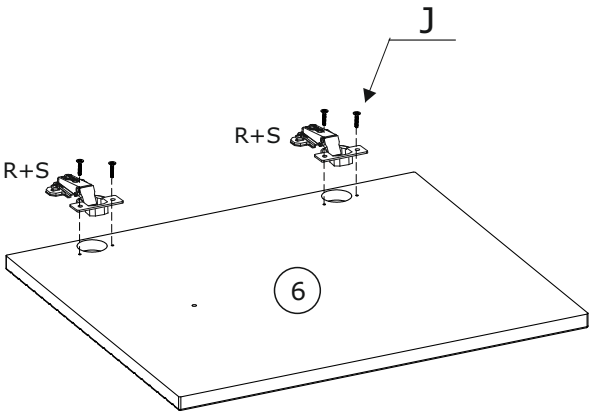
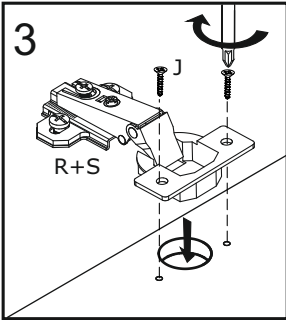
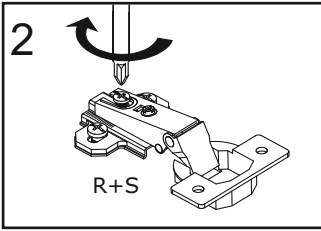
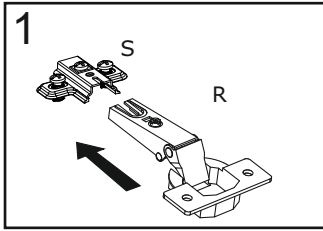
Ø6,3x13 mm





11

R x 4 	S x 4 	J x 8  3,5x16 mm	
--------------------------------------------------------------------------------------------	--------------------------------------------------------------------------------------------	---------------------------------------------------------------------------------------------------------	-------------------------------------------------------------------------------------



12

P x 2 	
----------------------------------------------------------------------------------------------	---------------------------------------------------------------------------------------

