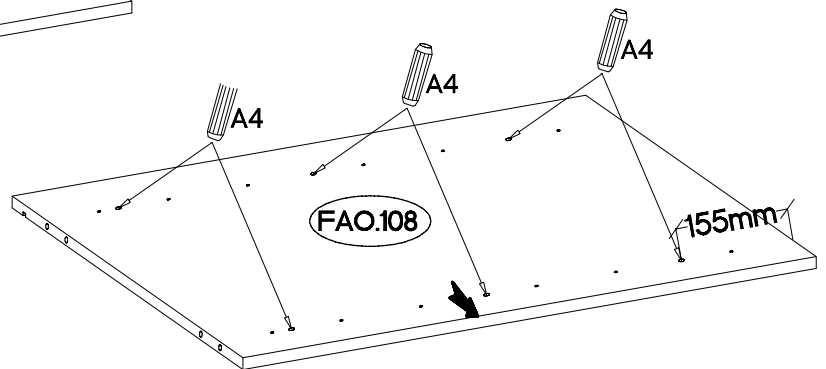
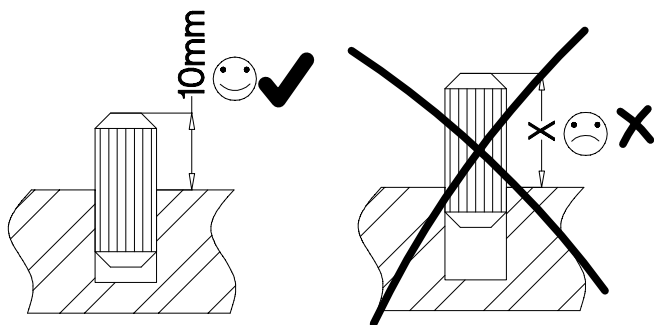
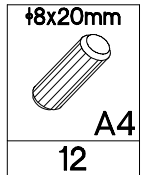
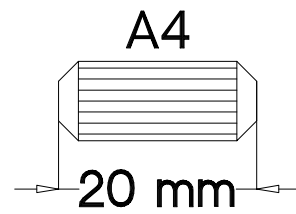
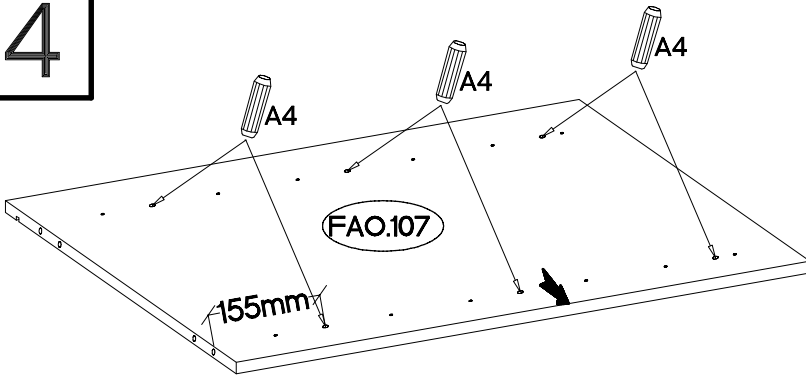
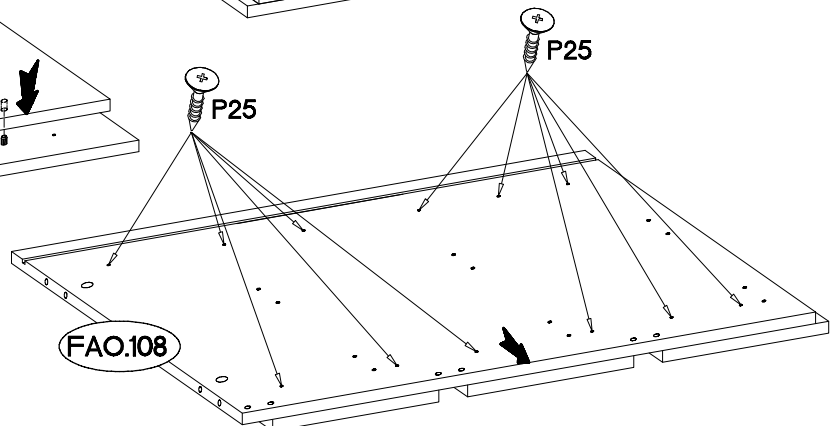
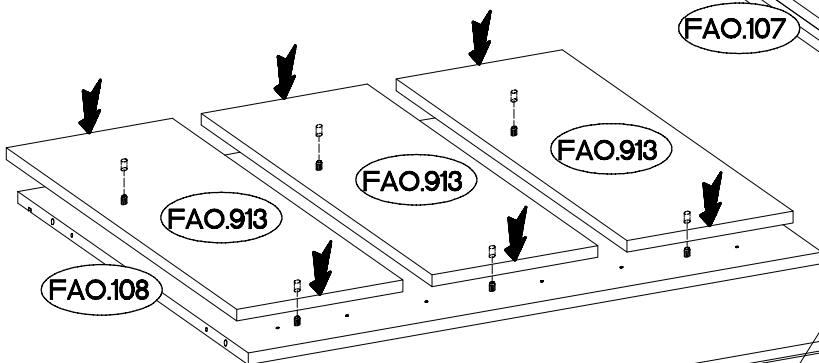
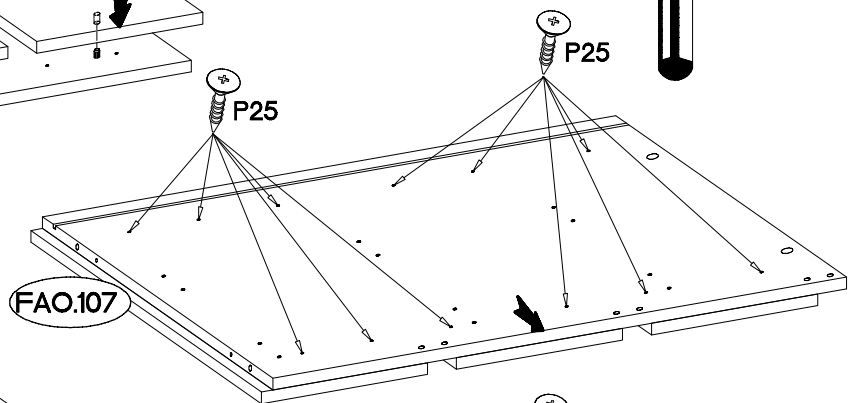
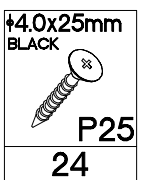
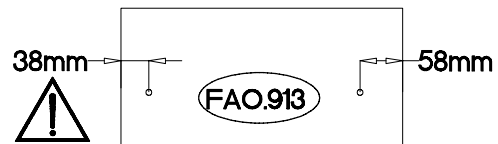
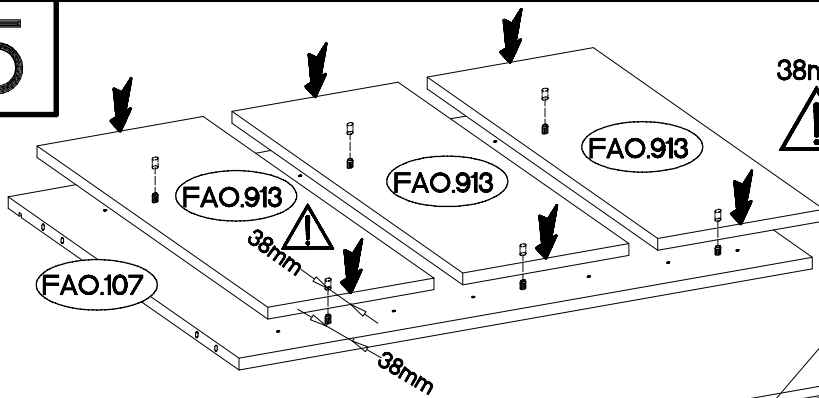

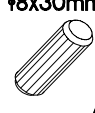





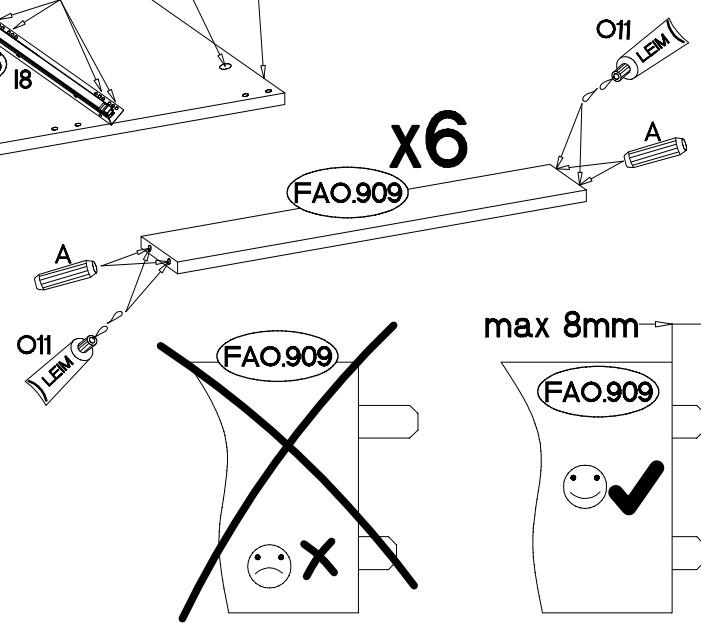
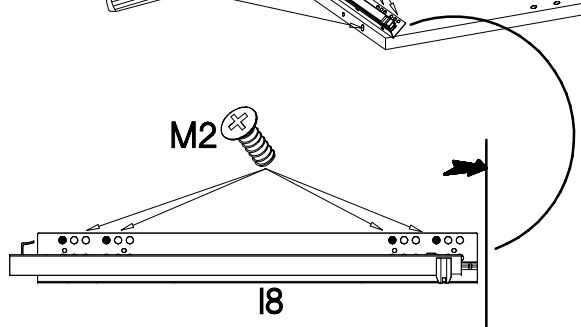
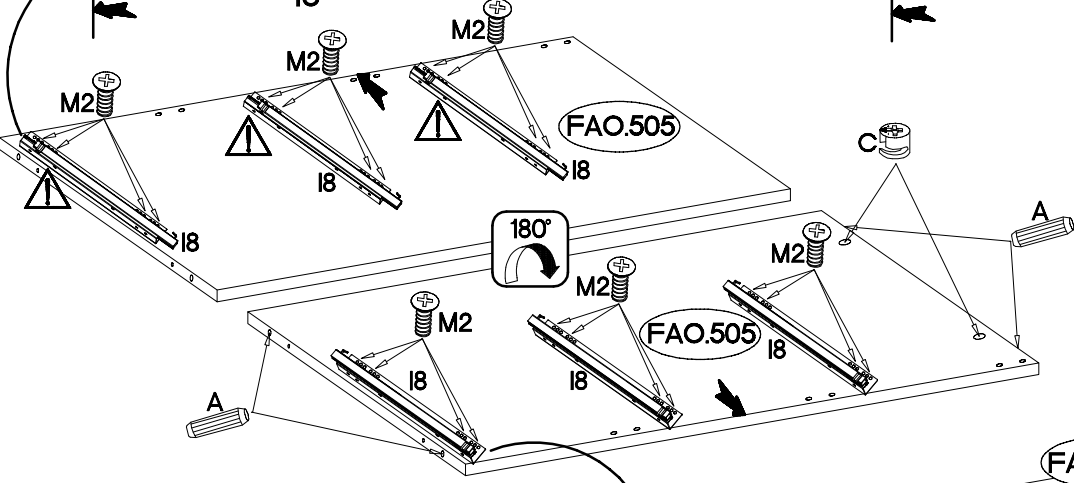
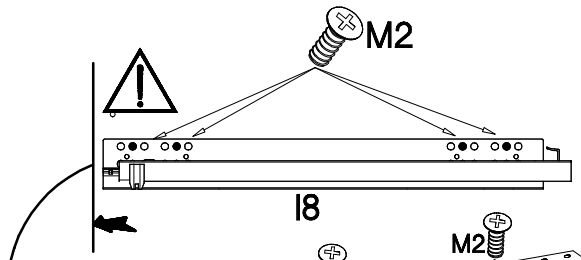
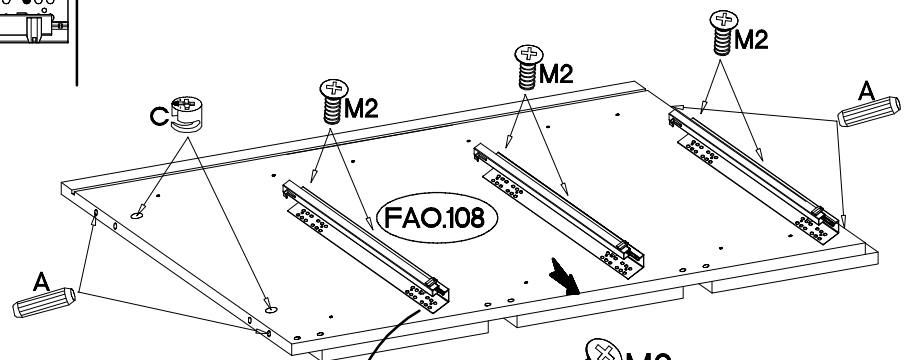
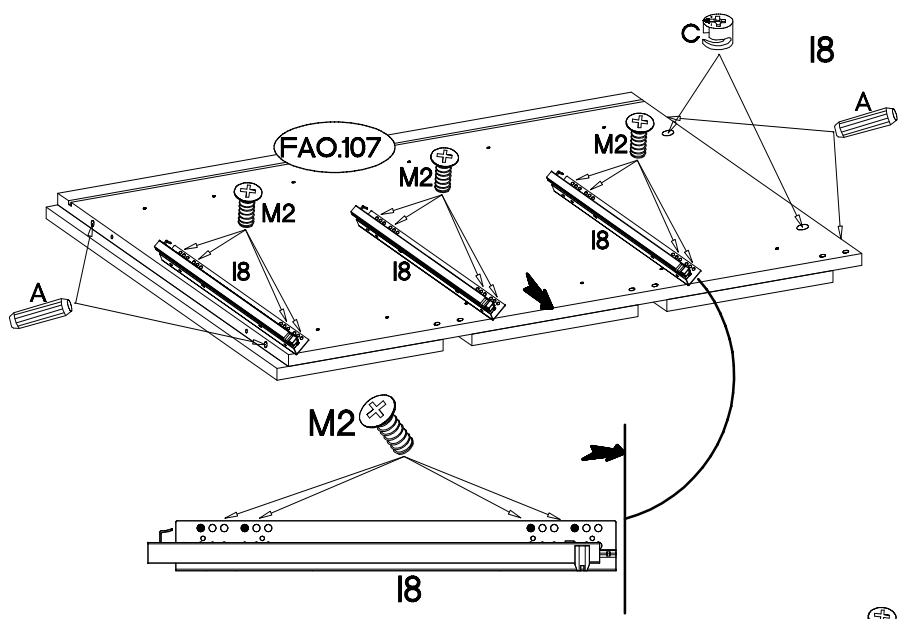
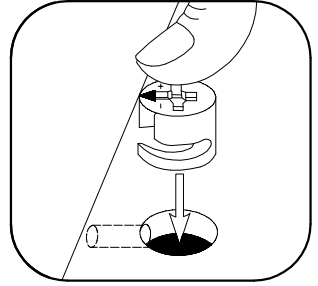
4



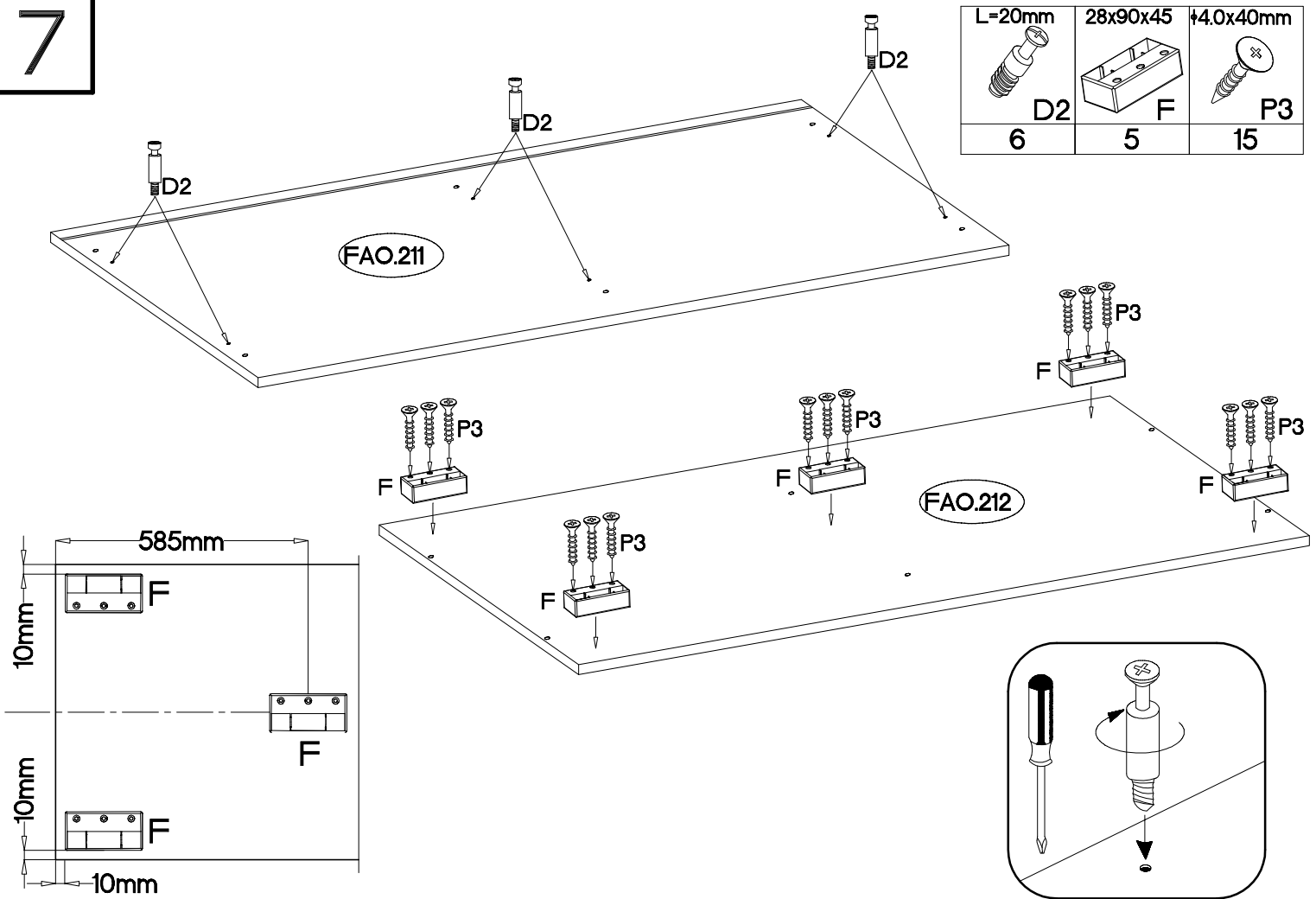
5



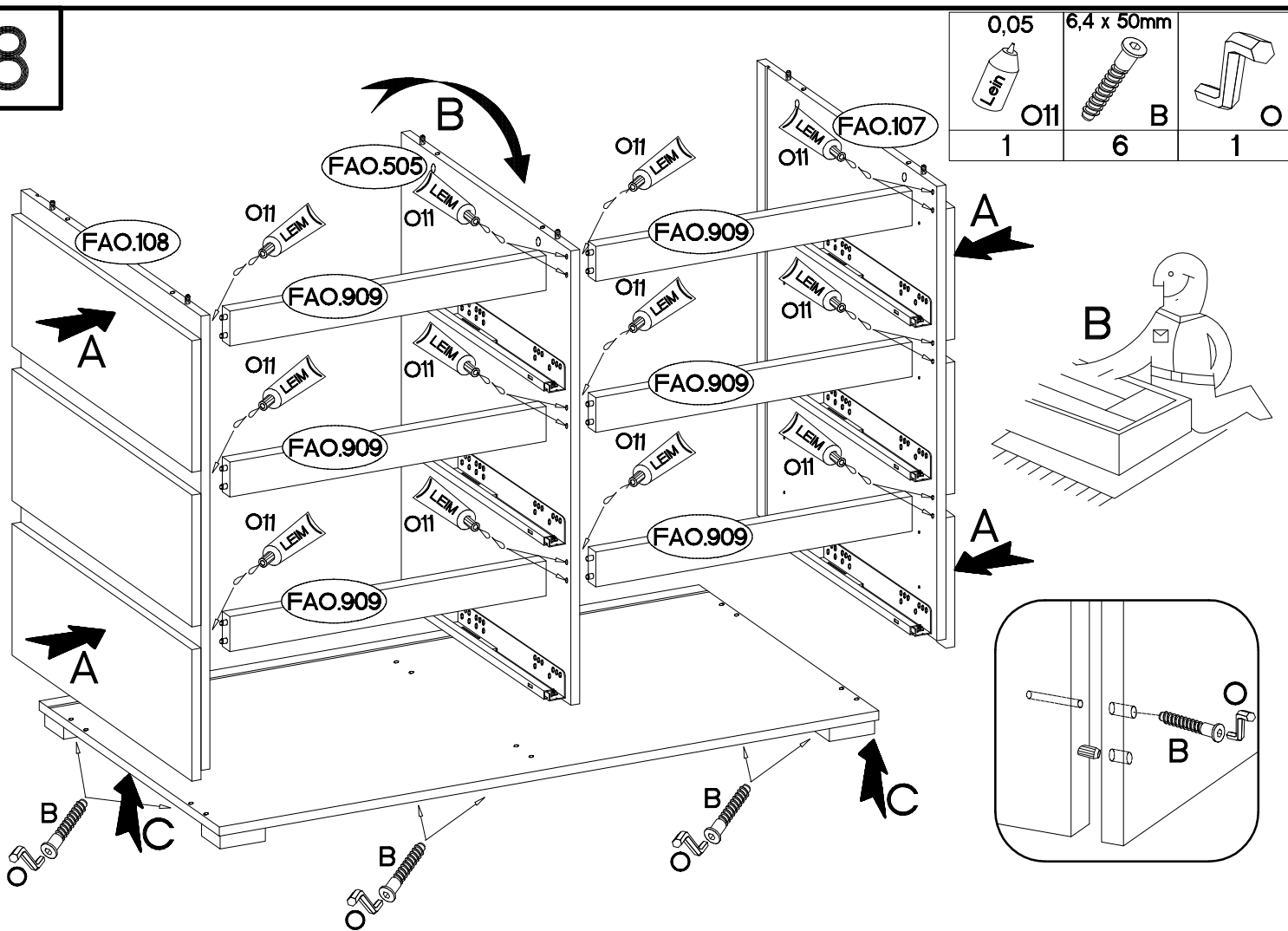
 ‡15/12mm C 6	 ‡8x30mm A 36	 0,05 O11 1	 ‡6,3x13mm M2 48	 L=350mm I8 6
---	---	---	--	---



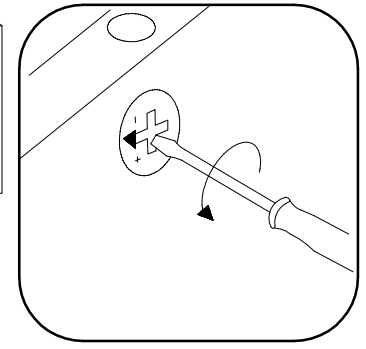
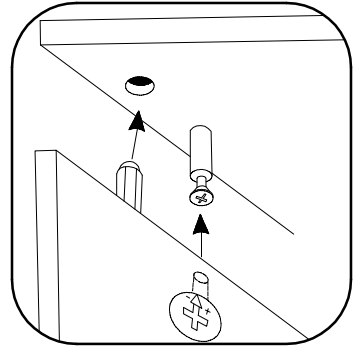
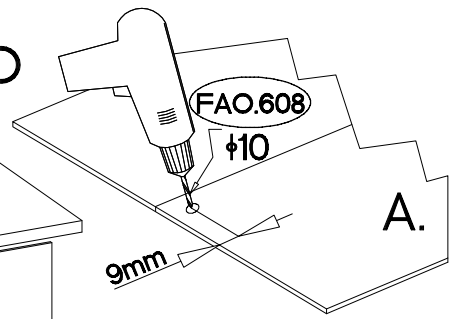
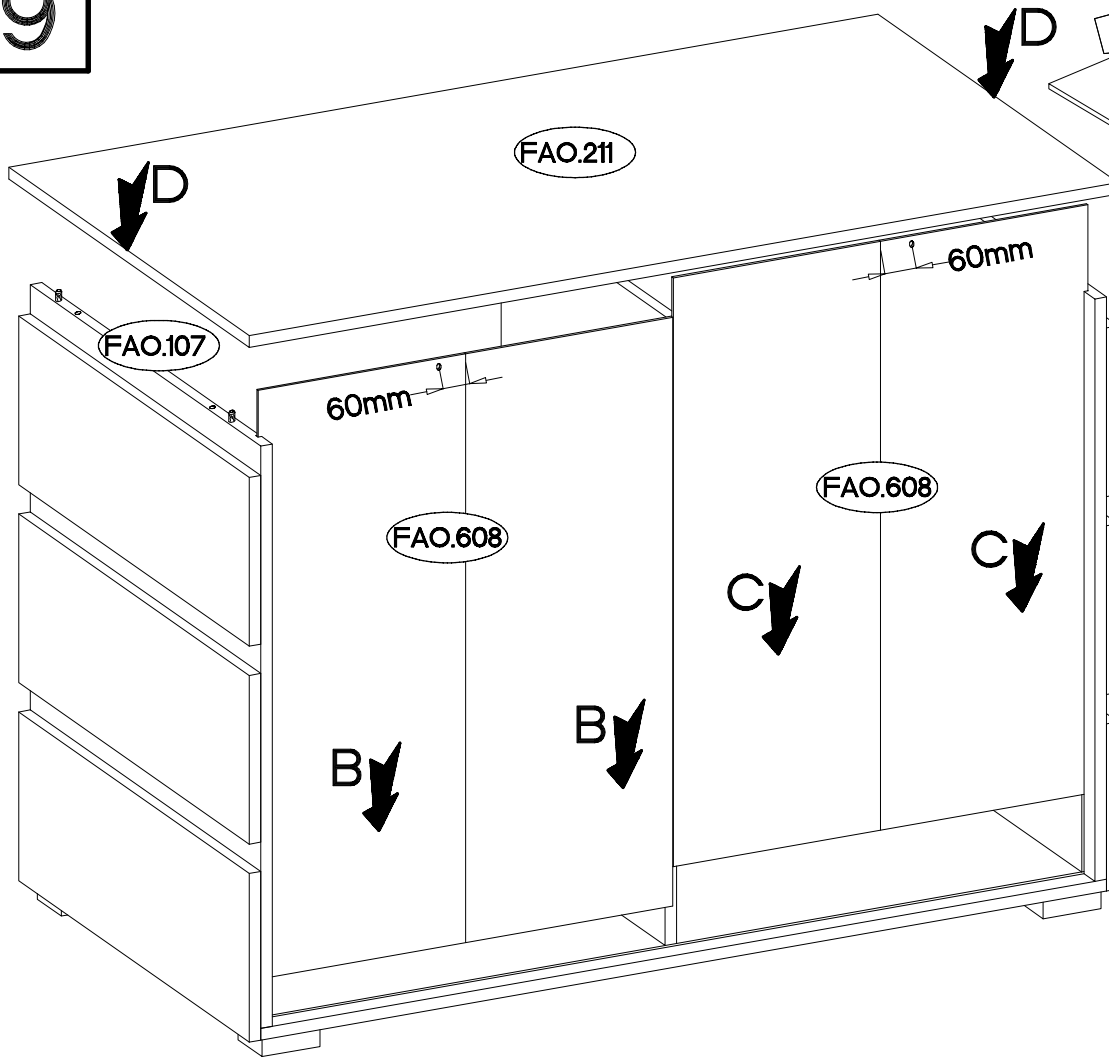
7



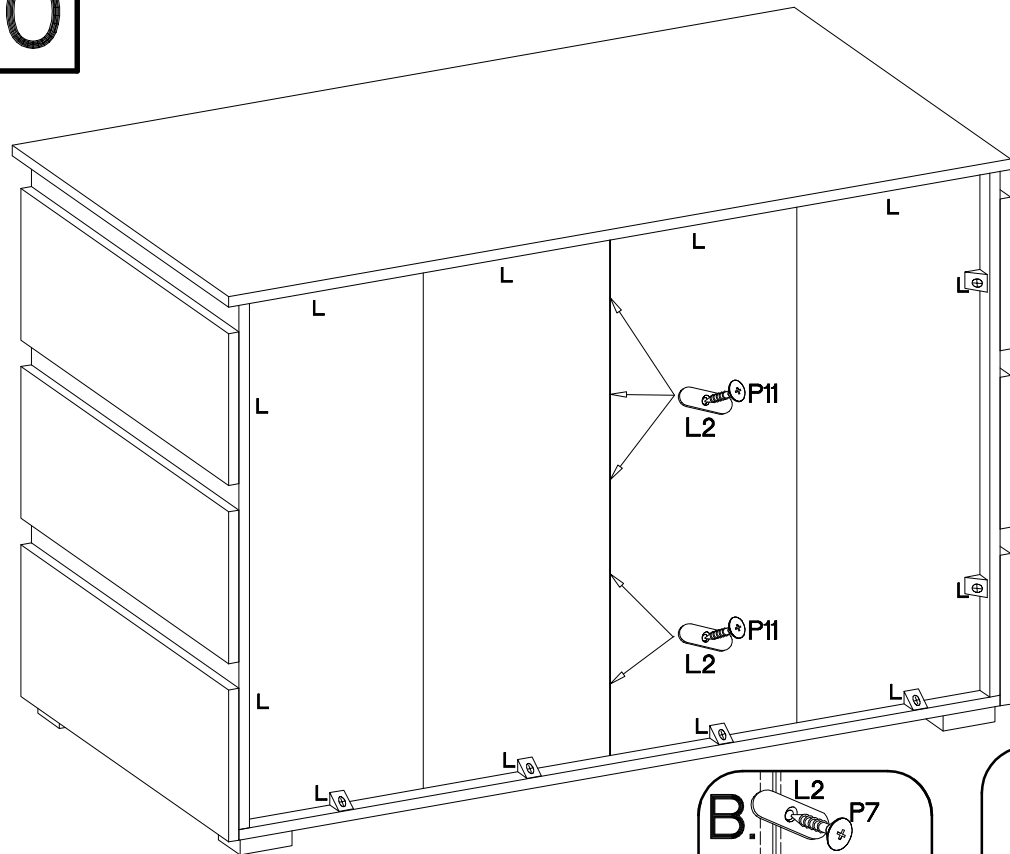
8



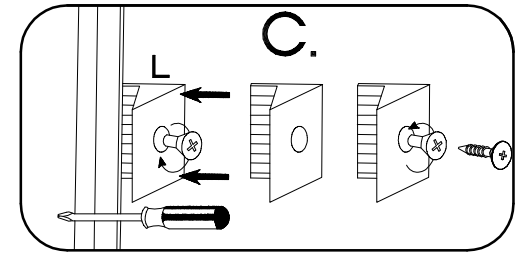
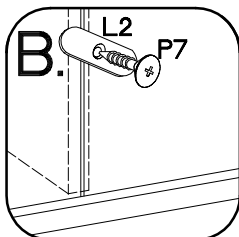
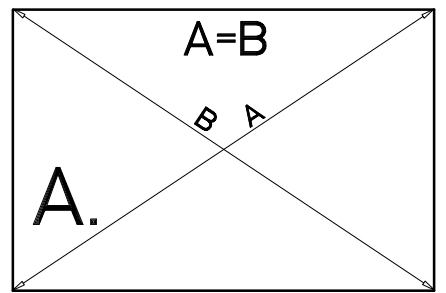
9

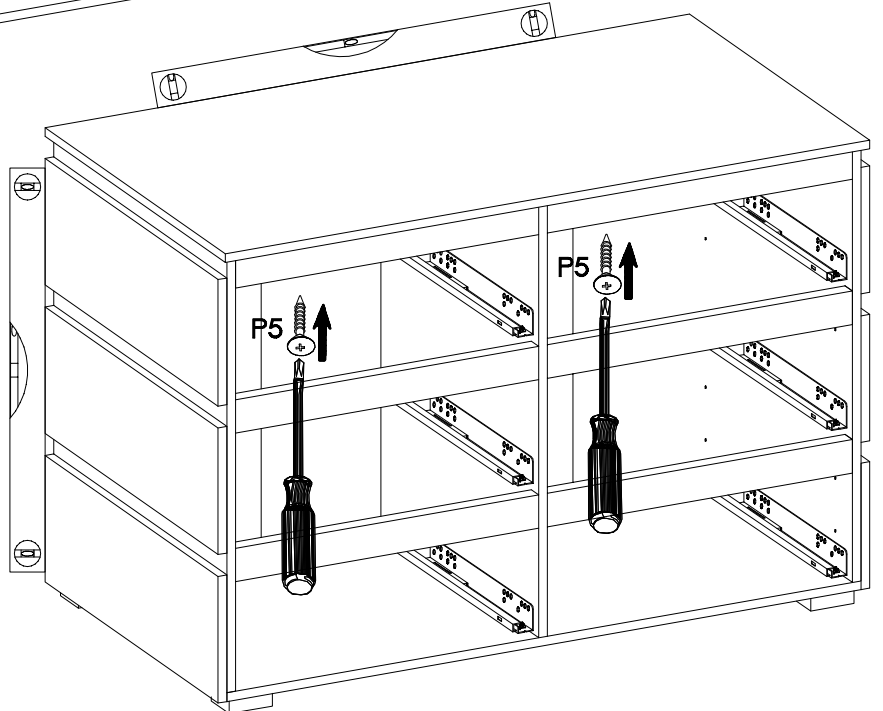
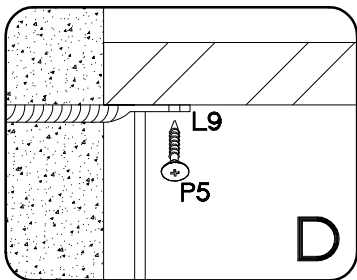
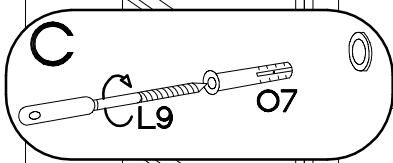
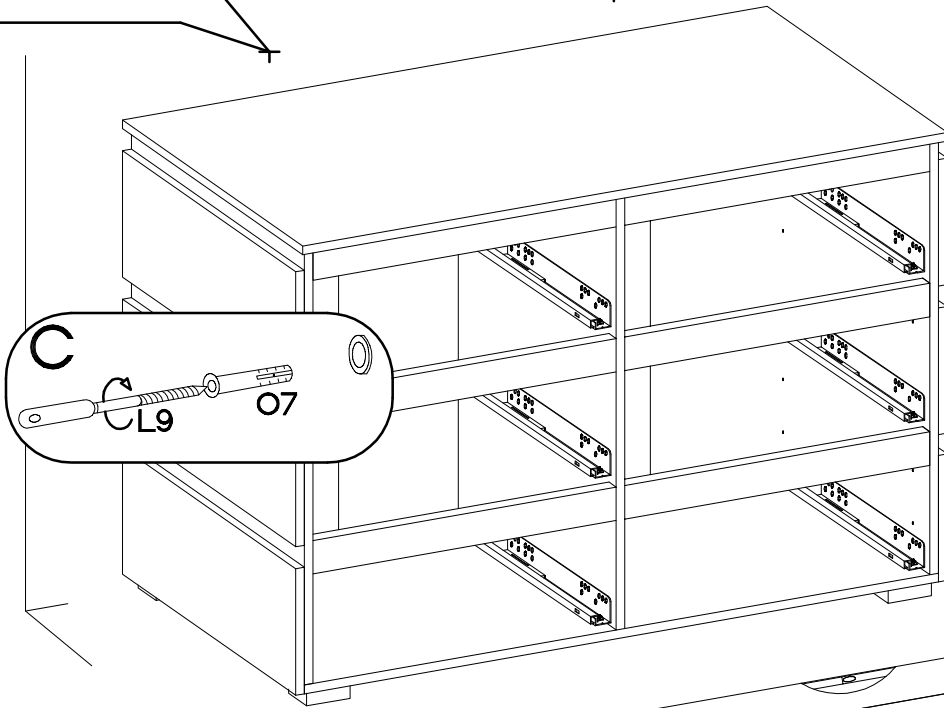
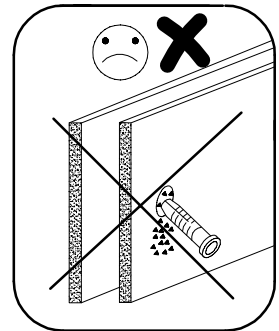
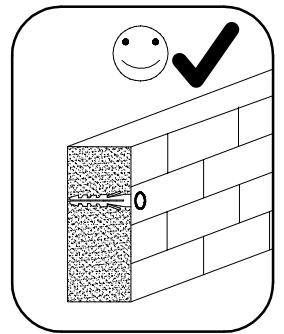
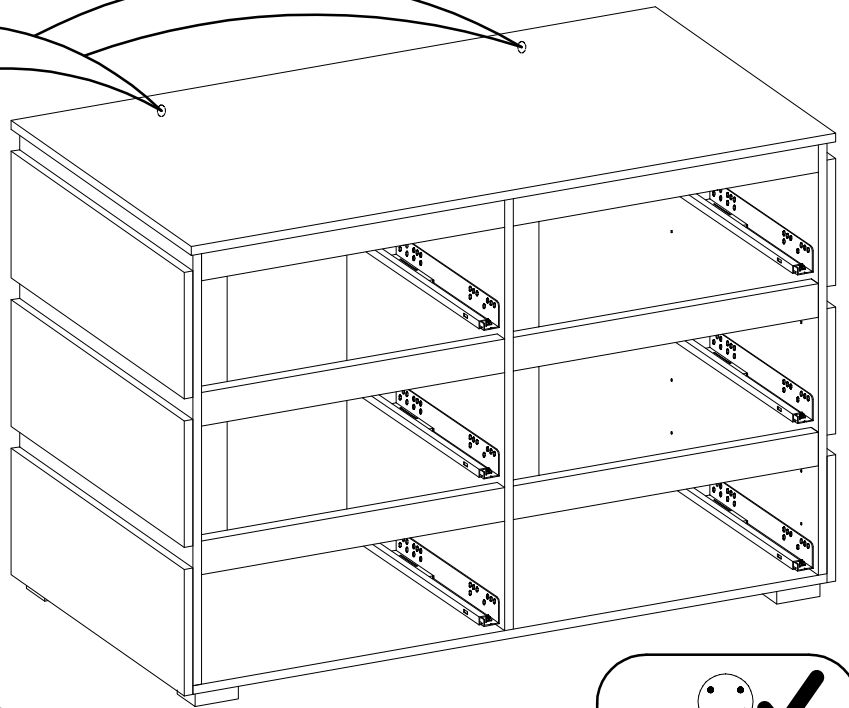
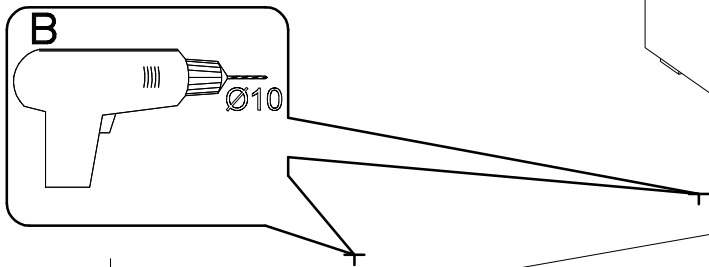
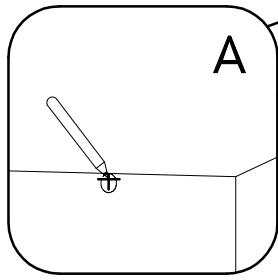


10



L	P7	L2
12	5	5





<p>±3.5x13mm</p> <p>P5</p> <p>2</p>	<p>L9</p> <p>2</p>	<p>±10x50mm</p> <p>Ø7</p> <p>2</p>
-------------------------------------	--------------------	------------------------------------

