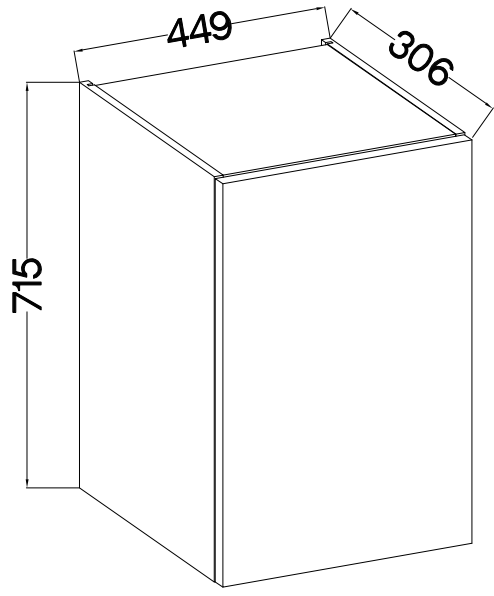
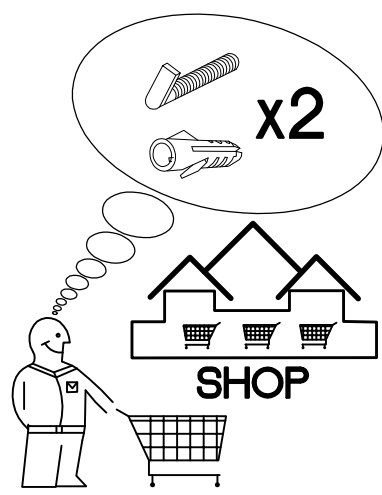
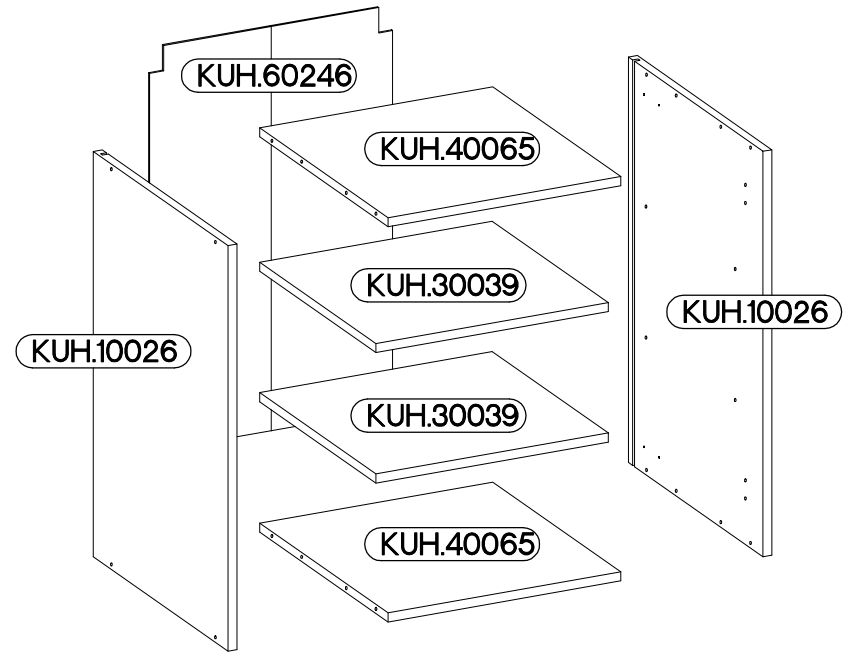
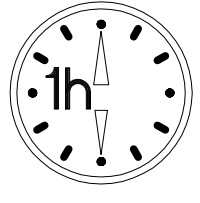


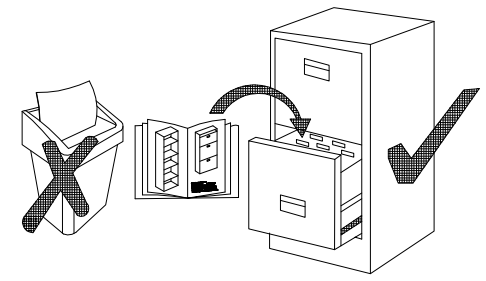
Ø10mm
45 G-72 1F



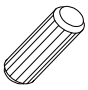
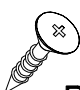
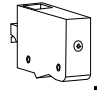
max. 5kg
KUH.30039
KUH.40065

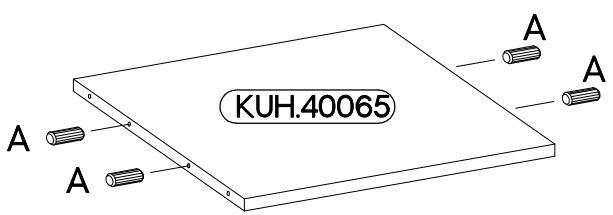
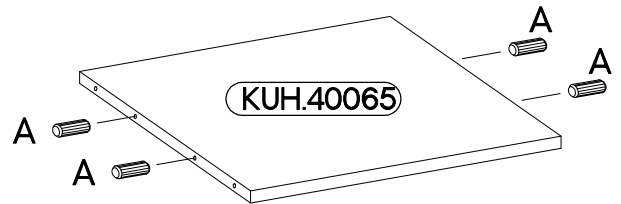
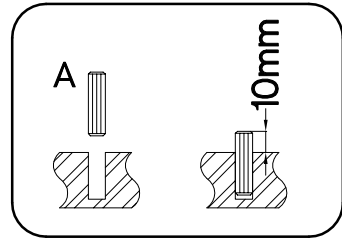
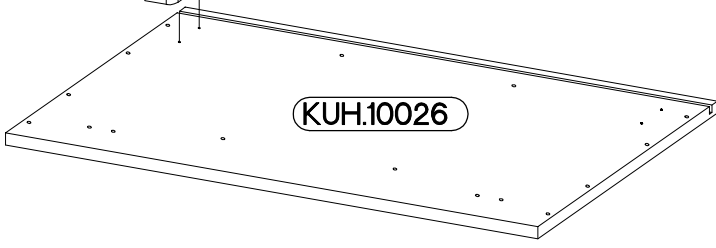
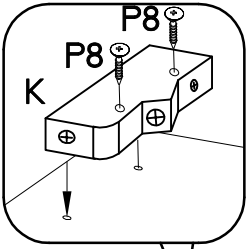
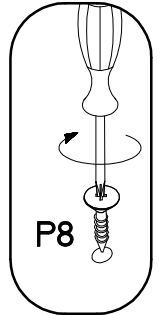
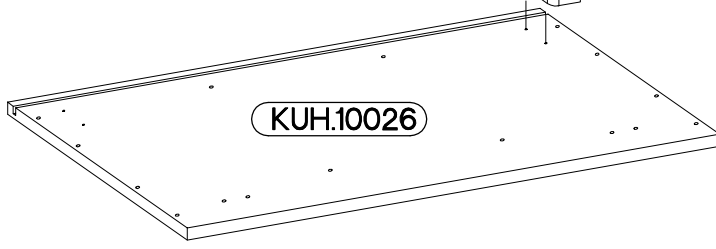
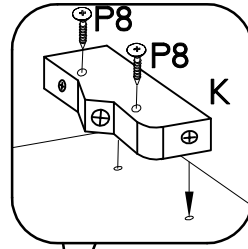
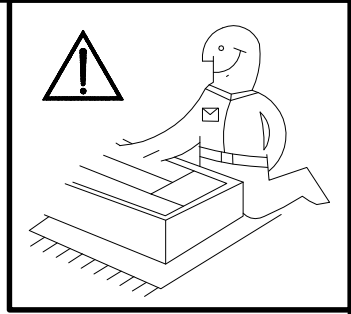


 8x30mm A 8	 6,4 x 50mm B 8	 E1 8	 35/0mm HG 2	 3.5x13mm P5 4	 3.0x20mm P7 8-10	 4.0x30mm P8 4
 J 8	 K 2	 O 1				



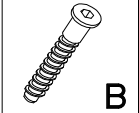
ISM-KUH-01136

 ±8x30mm A	 ±4.0x30mm P8	 K
8	4	2



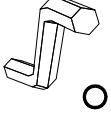
2

6,4 x 50mm



B

4



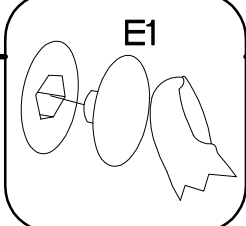
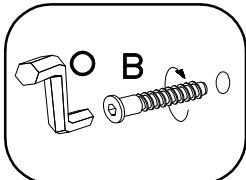
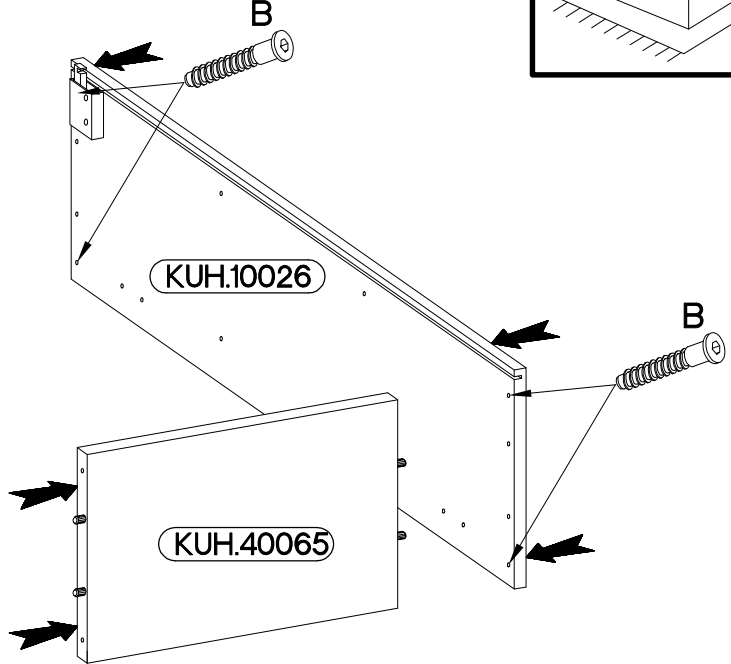
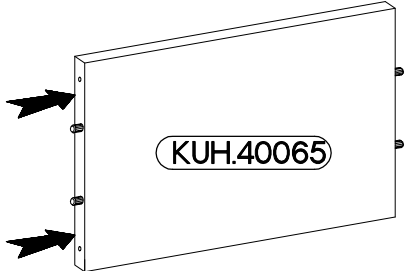
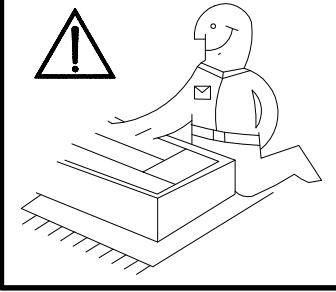
O

1

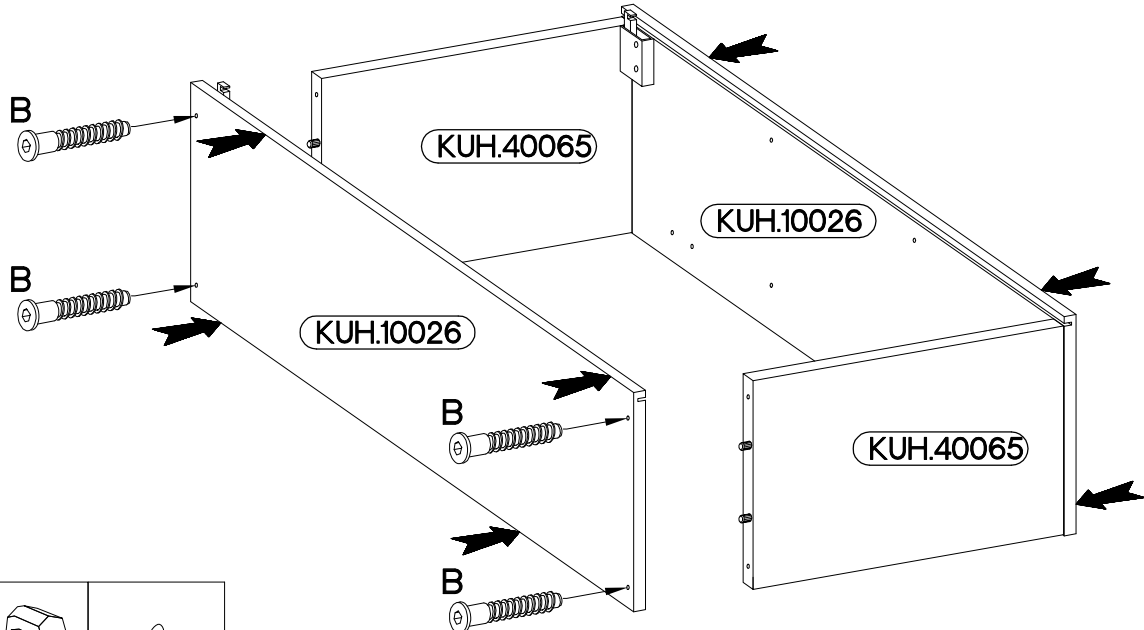


E1

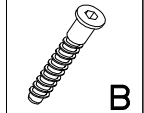
4



3

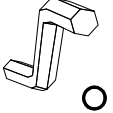


6,4 x 50mm



B

4



O

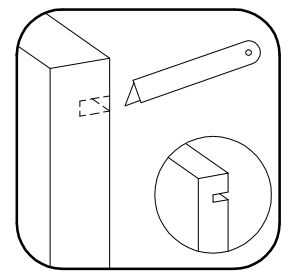
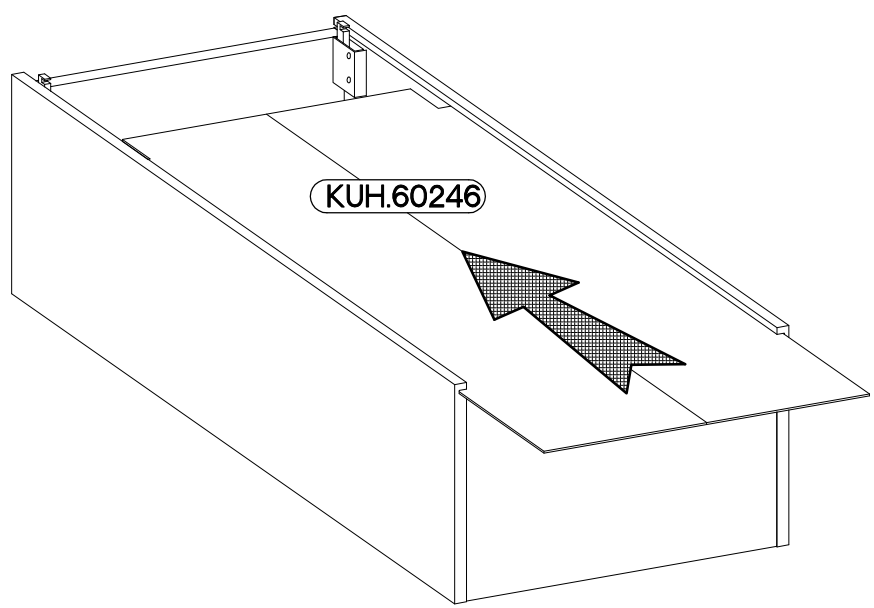
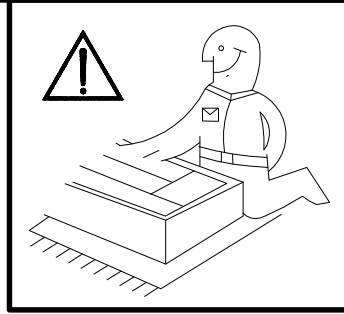
1



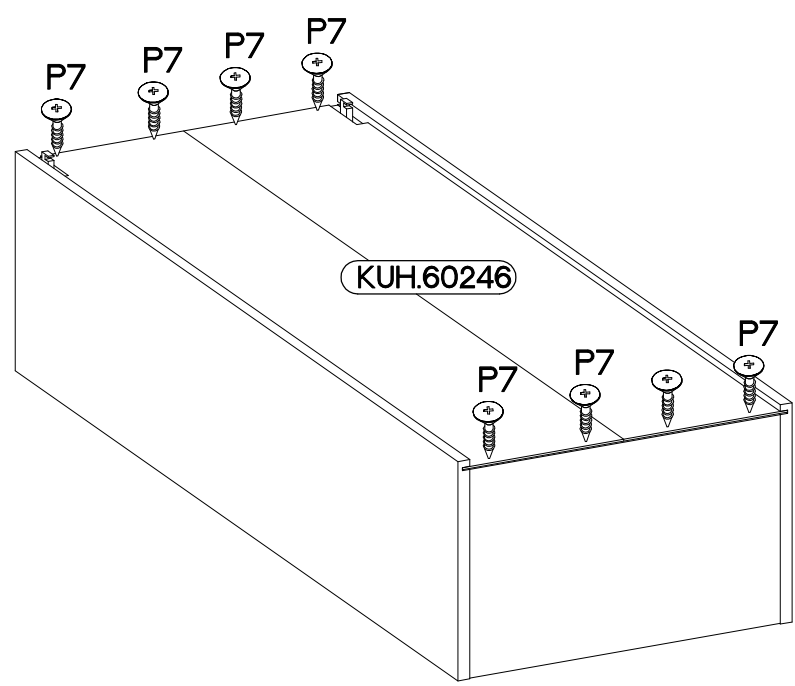
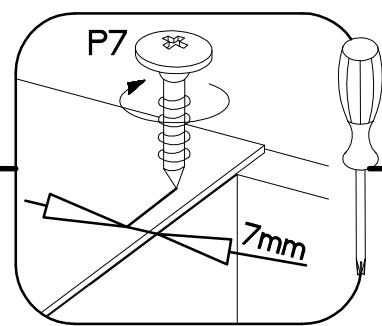
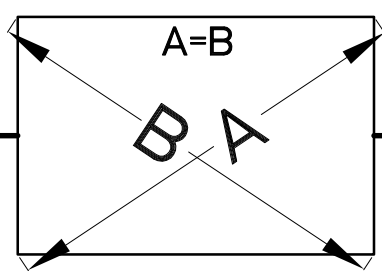
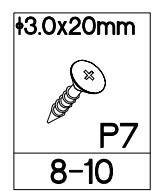
E1

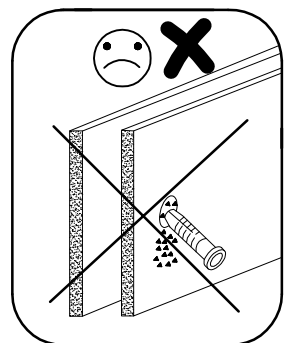
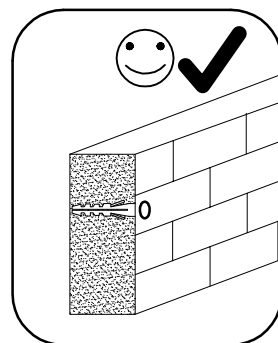
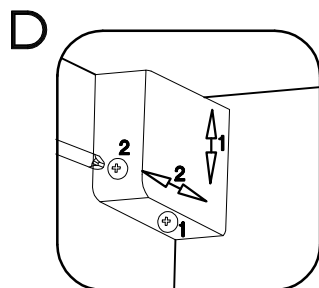
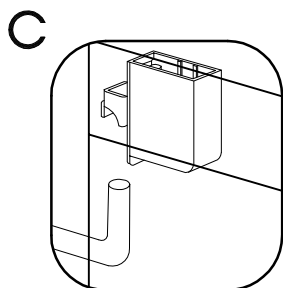
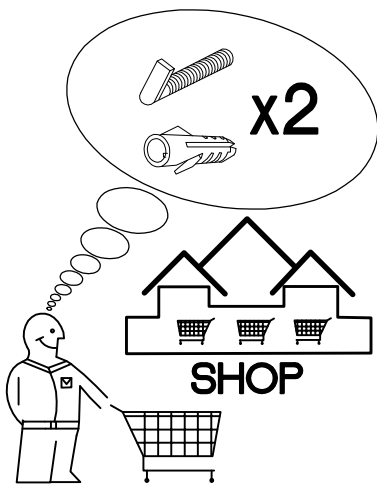
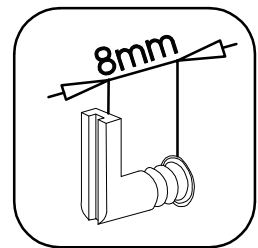
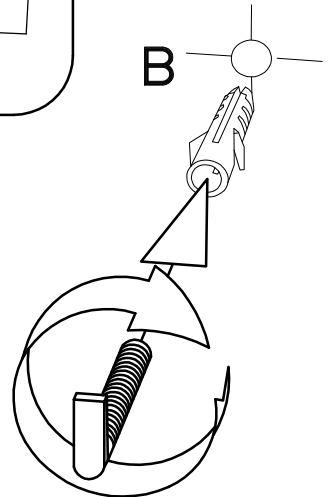
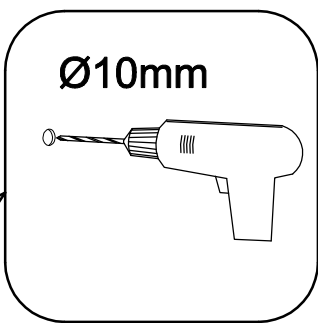
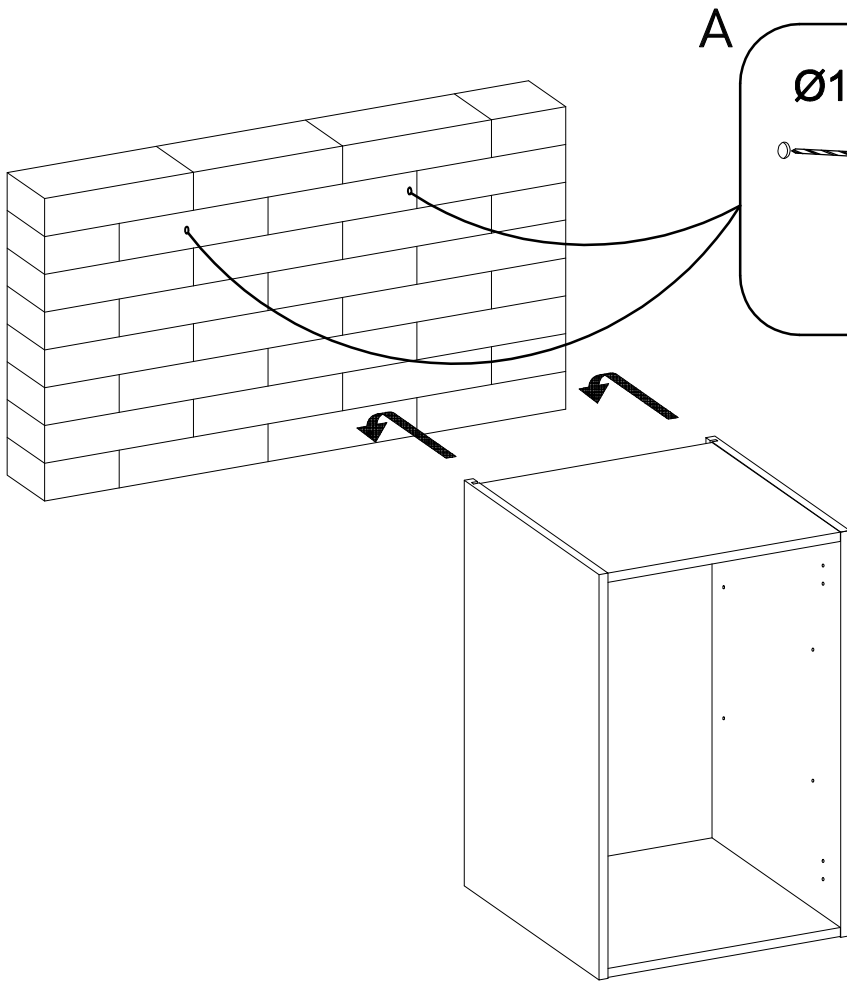
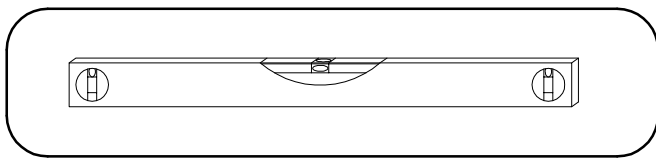
4

4

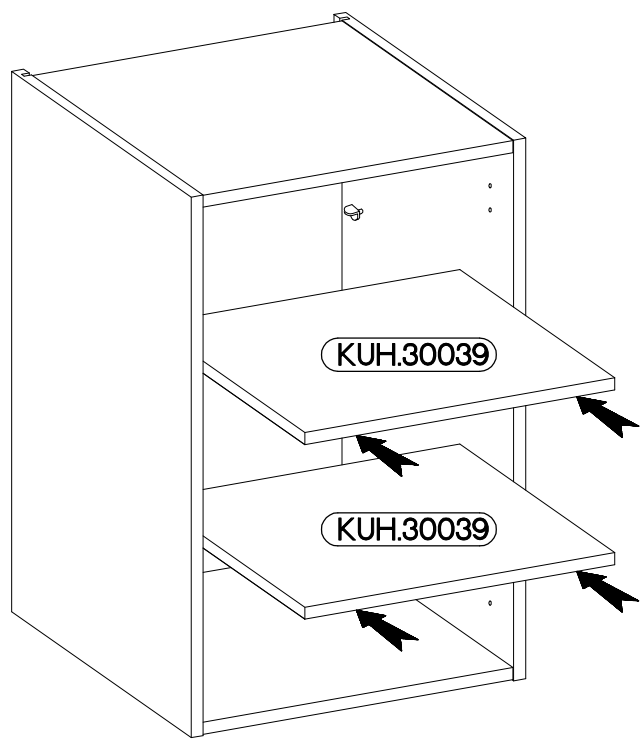
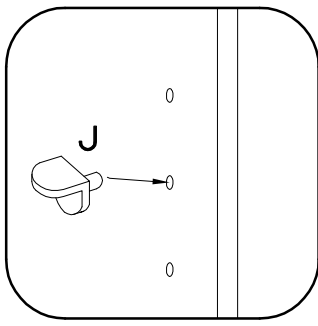
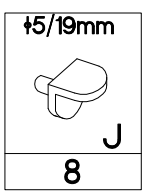


5



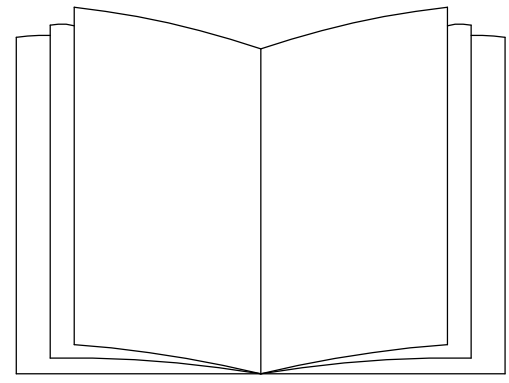
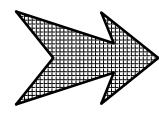
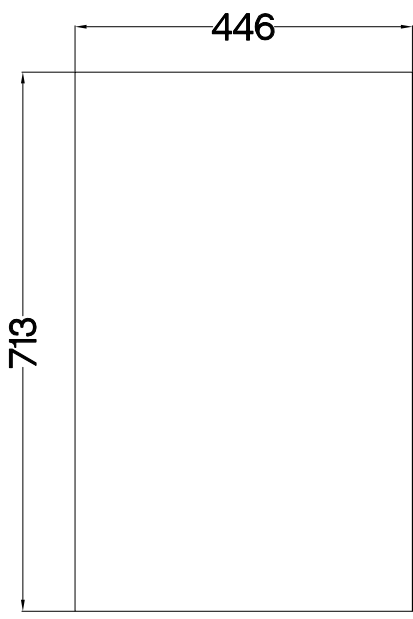


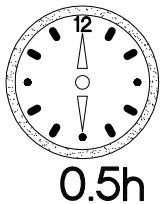
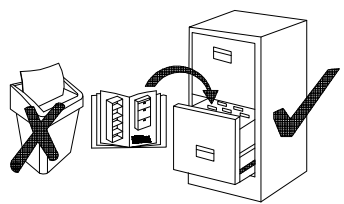
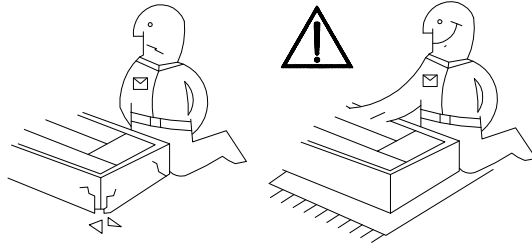
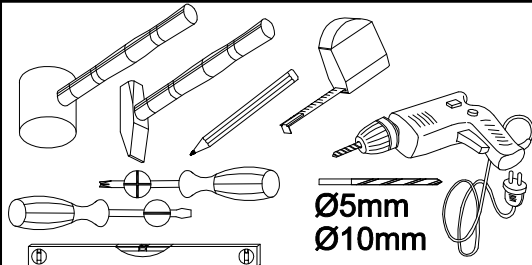
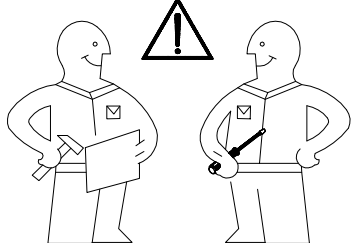
7



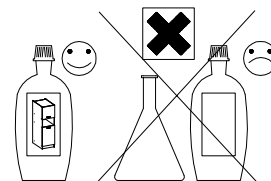
8

FRONT

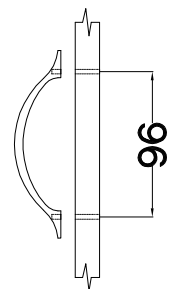
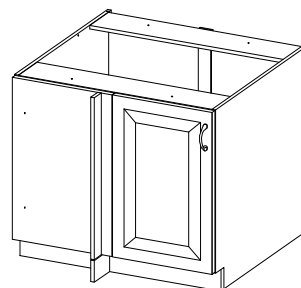
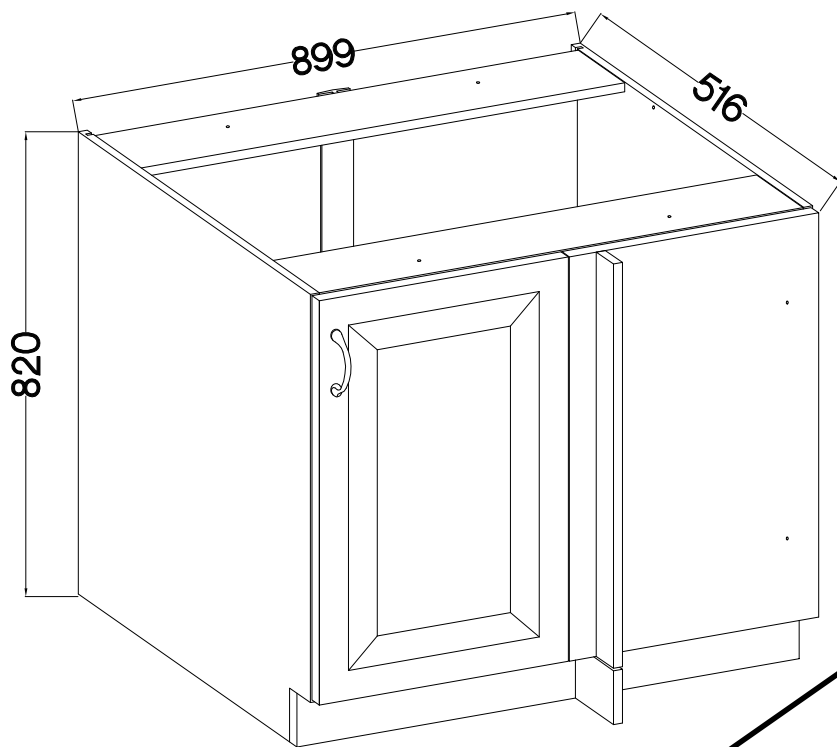




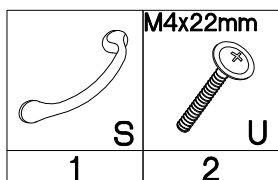
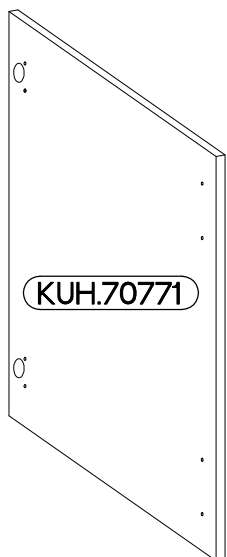
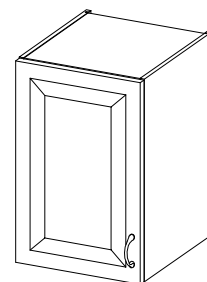
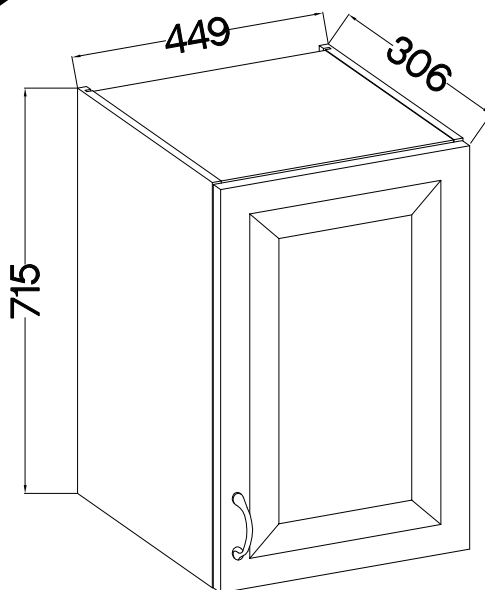
FRONT



105 ND BB



45 G-72 1F



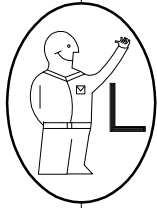
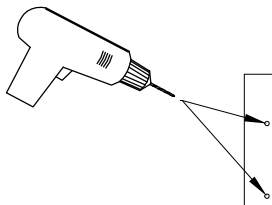
ISM-KUH-01196

1

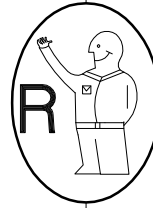
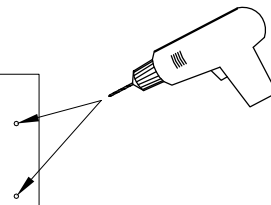
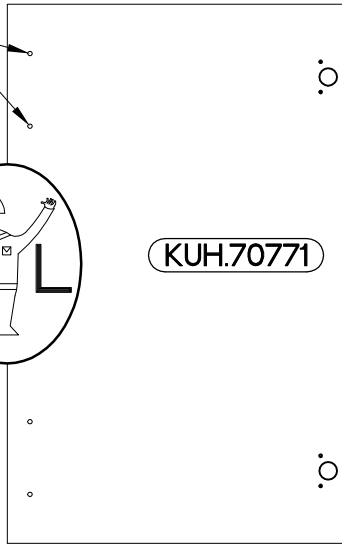
105 ND BB

LEFT

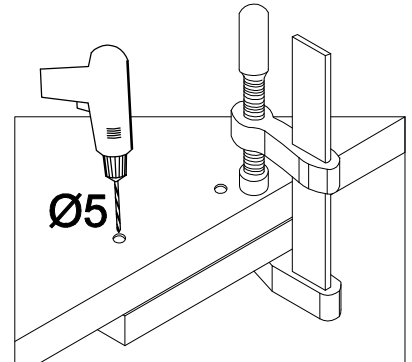
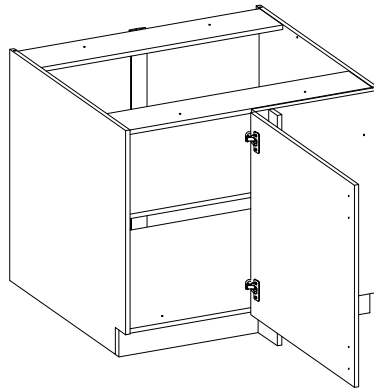
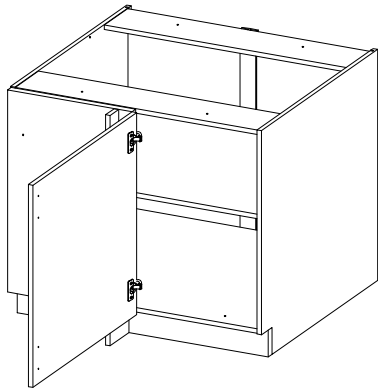
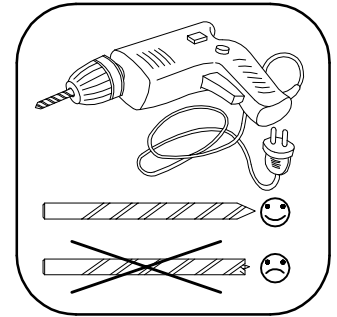
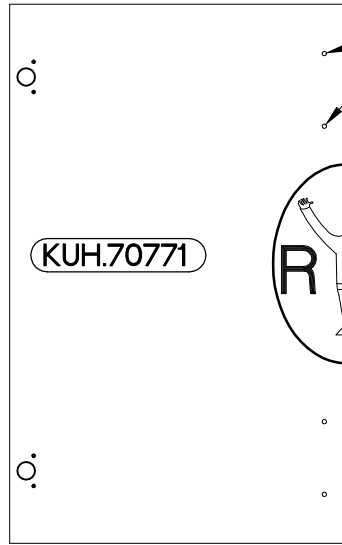
RIGHT




KUH.70771

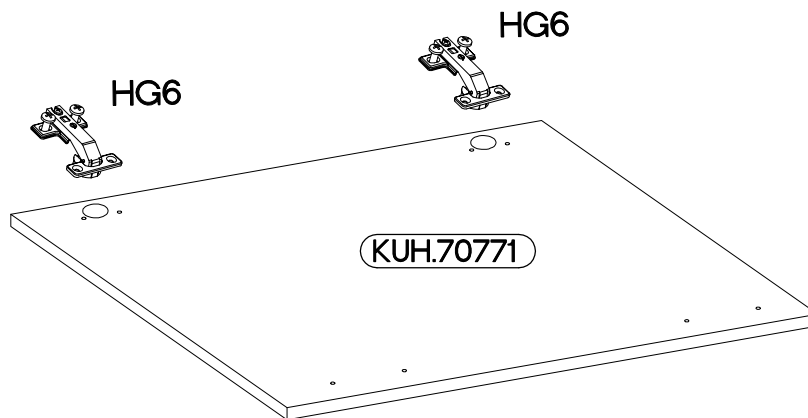
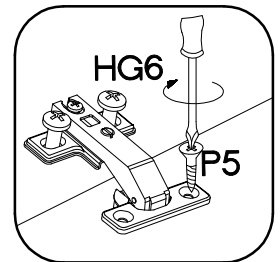


KUH.70771



2

	$\pm 35/90^\circ$ $\pm 3.5 \times 13 \text{mm}$
HG6	P5
2	4



3

M4x22mm



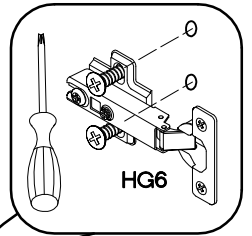
U

2

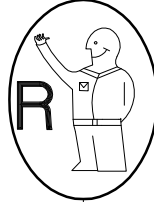


S

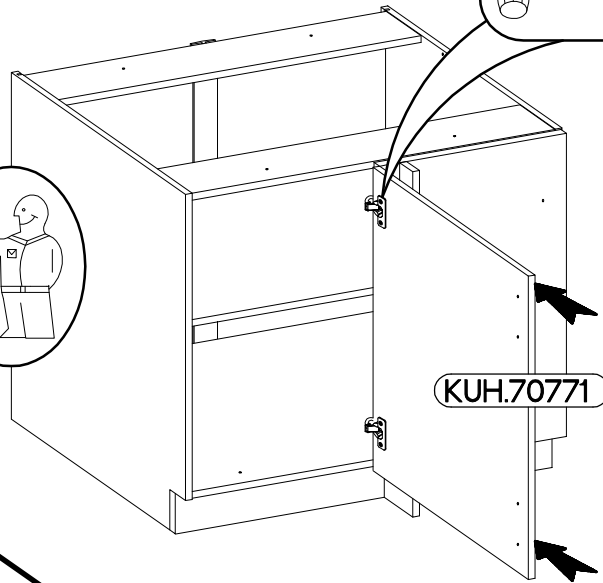
1



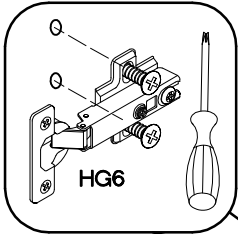
HG6



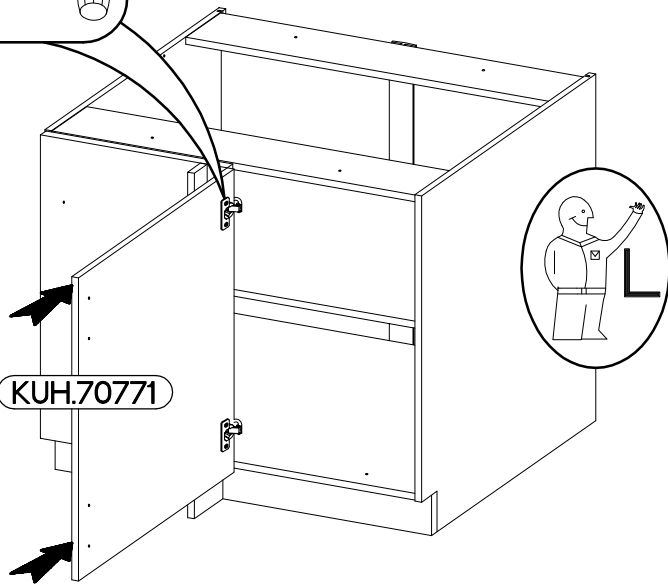
R



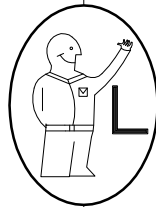
KUH.70771



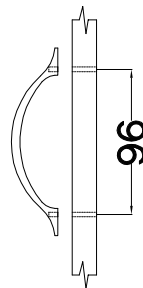
HG6



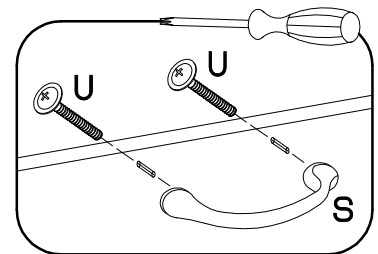
KUH.70771



L



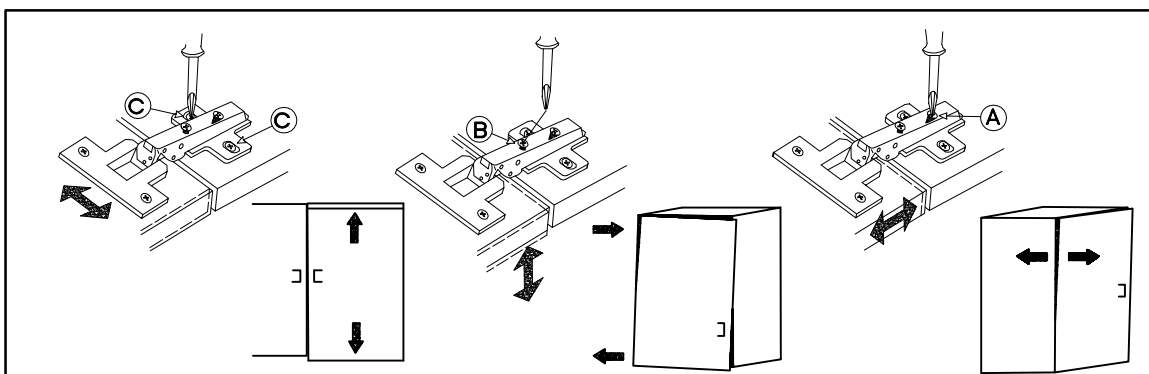
96



U

U

S

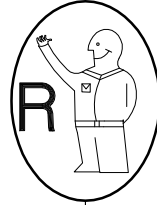
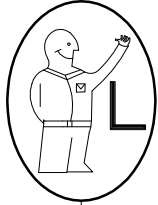
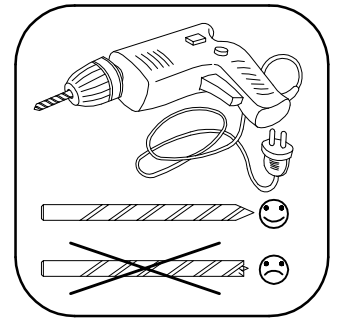


4

45 G-72 1F

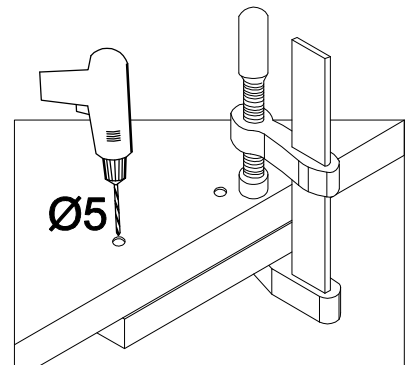
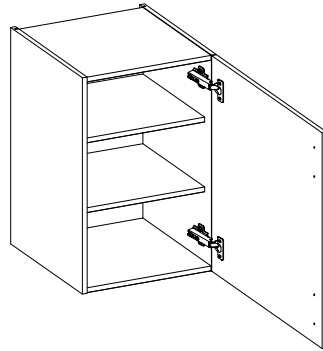
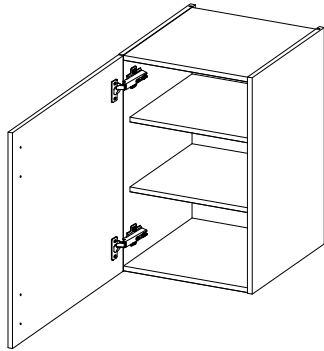
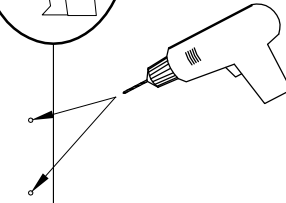
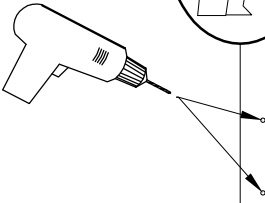
LEFT

RIGHT





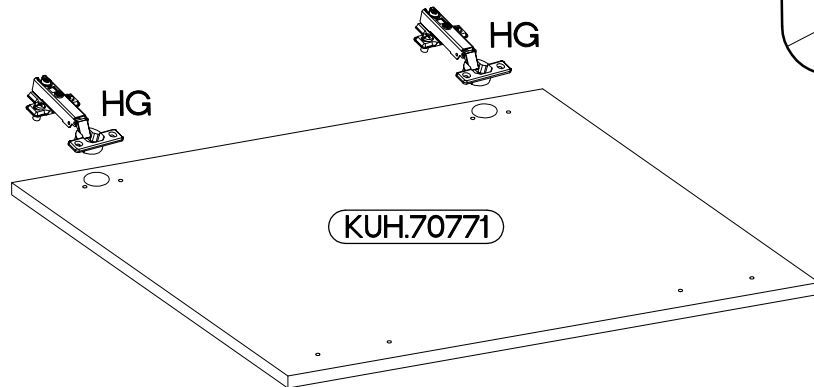
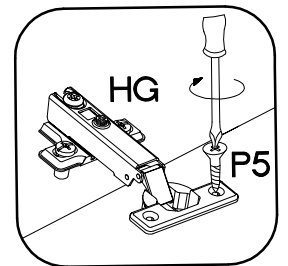
KUH.70771

KUH.70771



5

 HG 2	 P5 4
--	--



KUH.70771

6

M4x22mm

