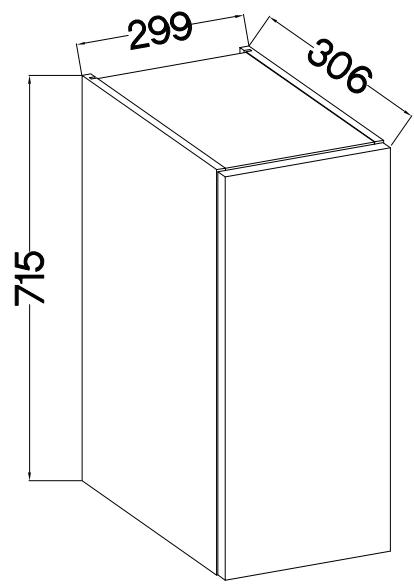
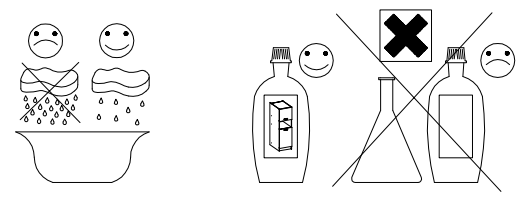
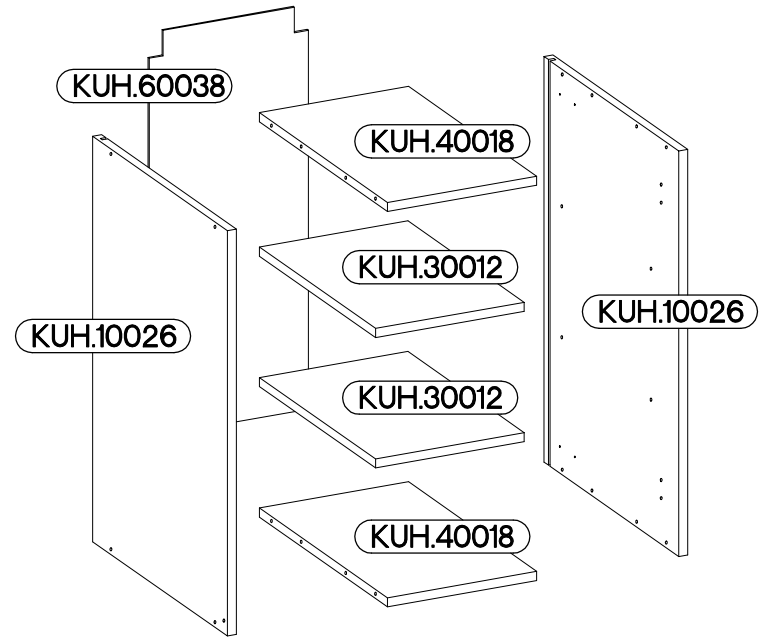
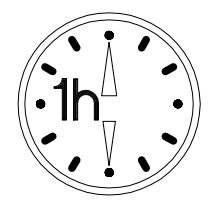


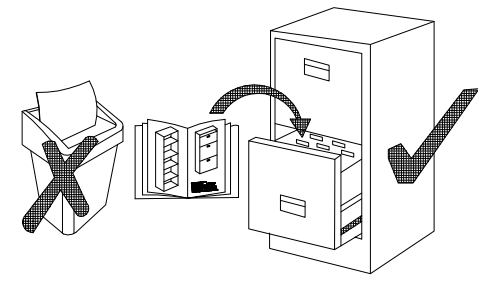
Ø10mm
30 G-72 1F



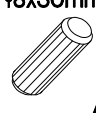

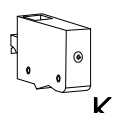
KUH.30012
KUH.40018

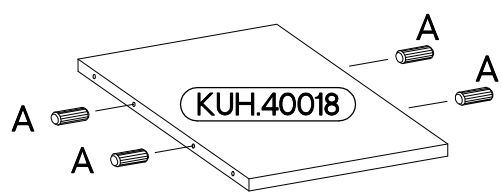
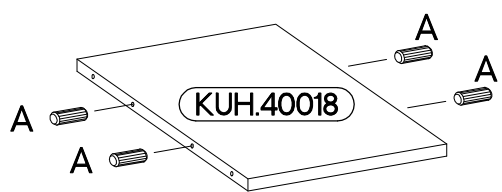
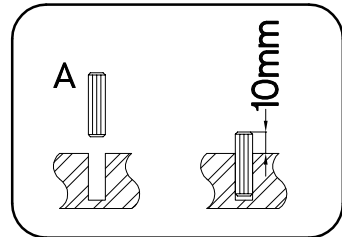
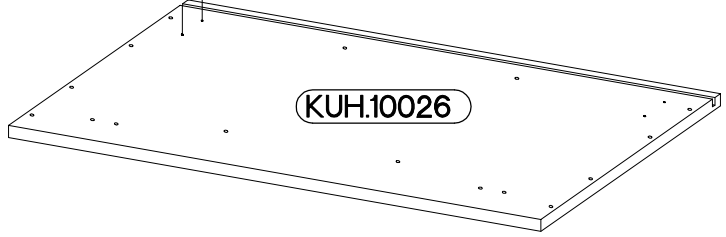
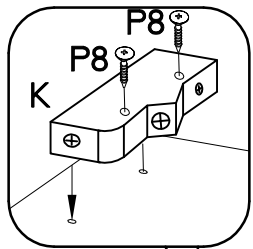
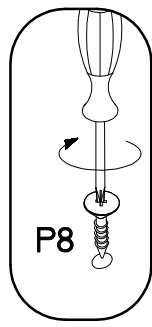
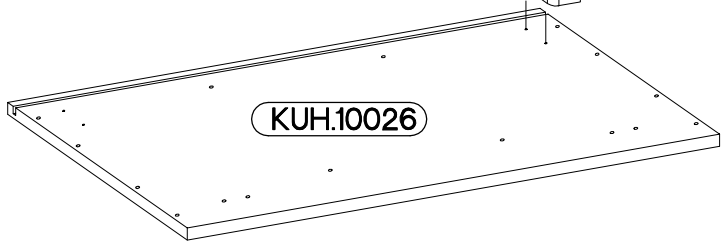
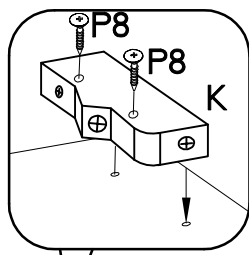
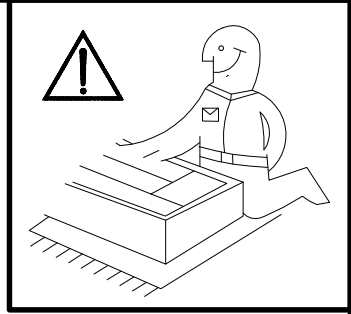


 ±8x30mm A 8	 6,4 x 50mm B 8	 E1 8	 ±35/0mm HG 2	 ±3.5x13mm P5 4	 ±3.0x20mm P7 8-10	 ±4.0x30mm P8 4
 J 8	 K 2	 O 1				


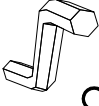



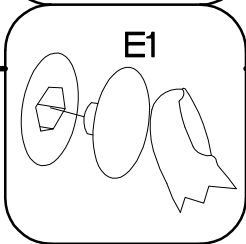
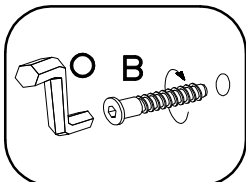
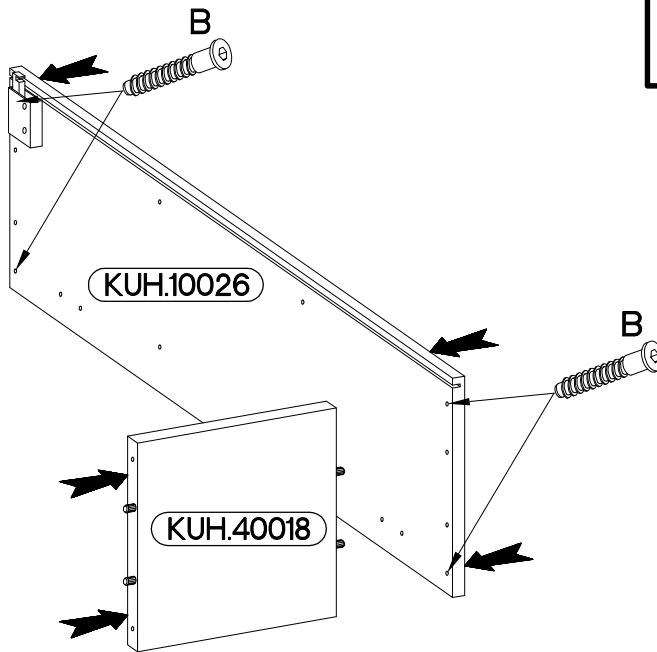
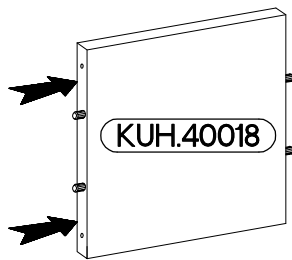
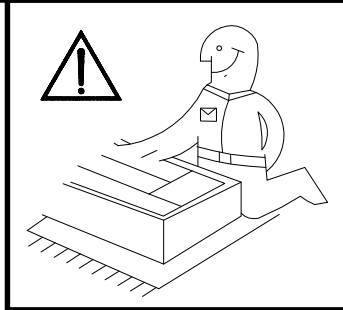
ISM-KUH-01132

 +8x30mm A	 +4.0x30mm P8	 K
8	4	2

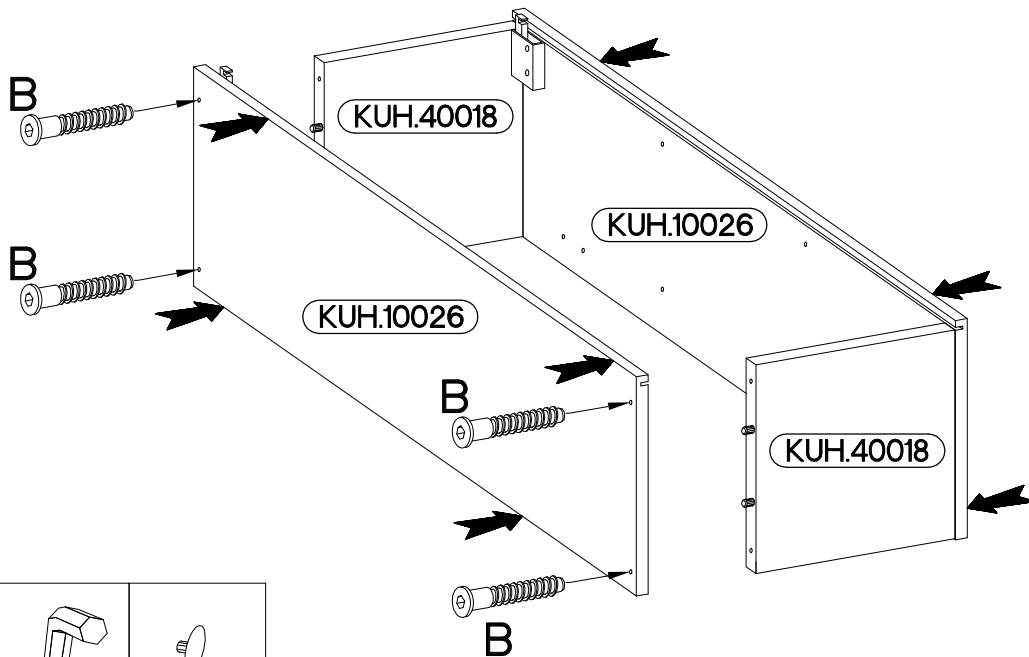



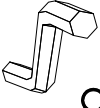

2

6,4 x 50mm		
		
B	O	E1
4	1	4

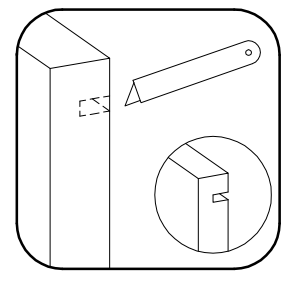
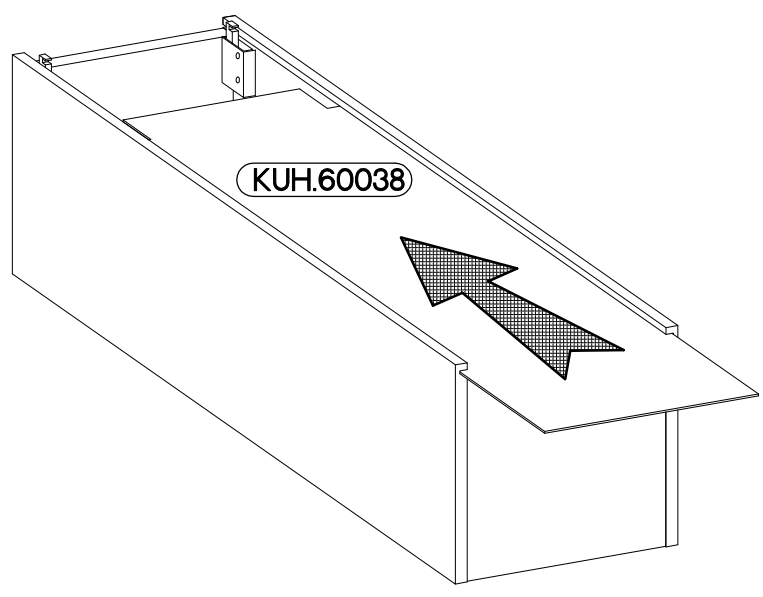
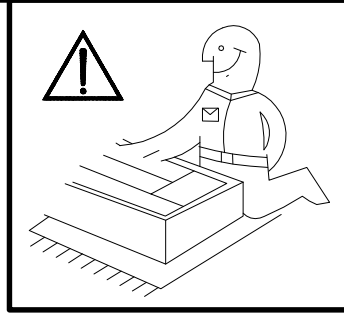


3

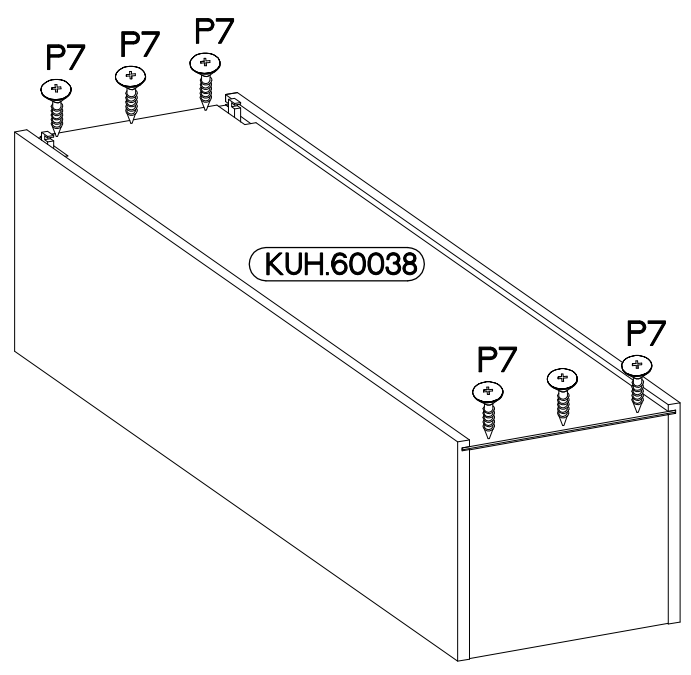
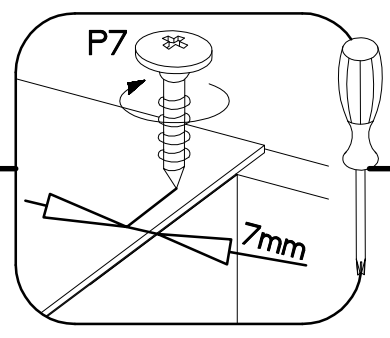
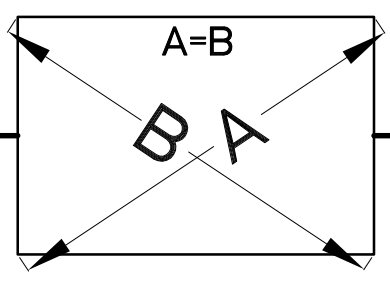
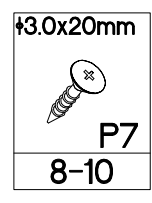


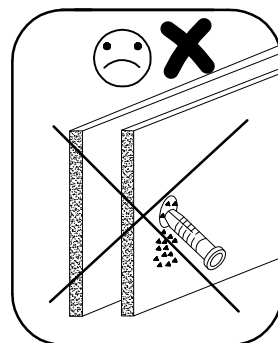
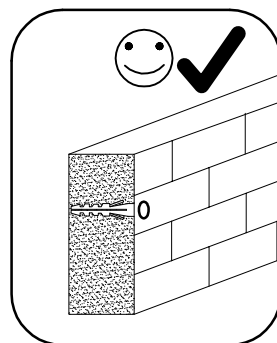
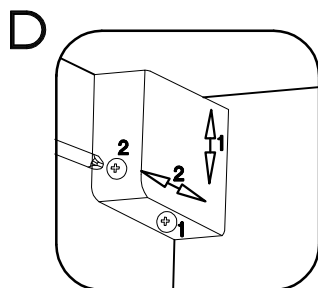
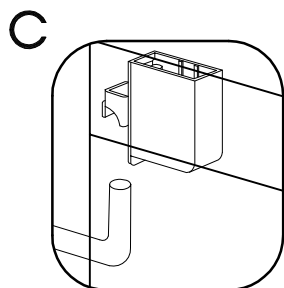
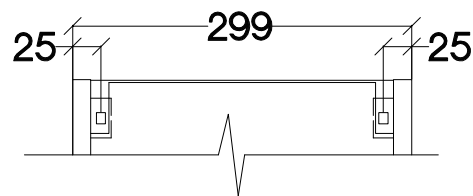
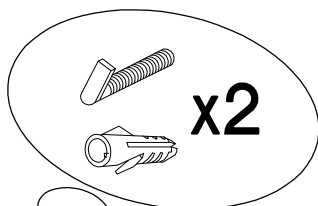
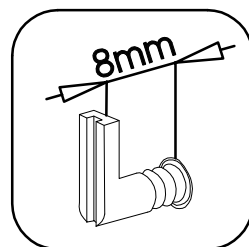
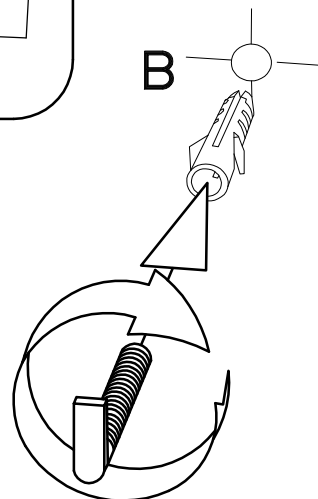
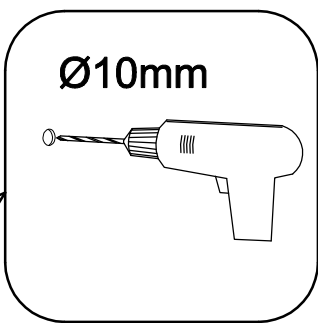
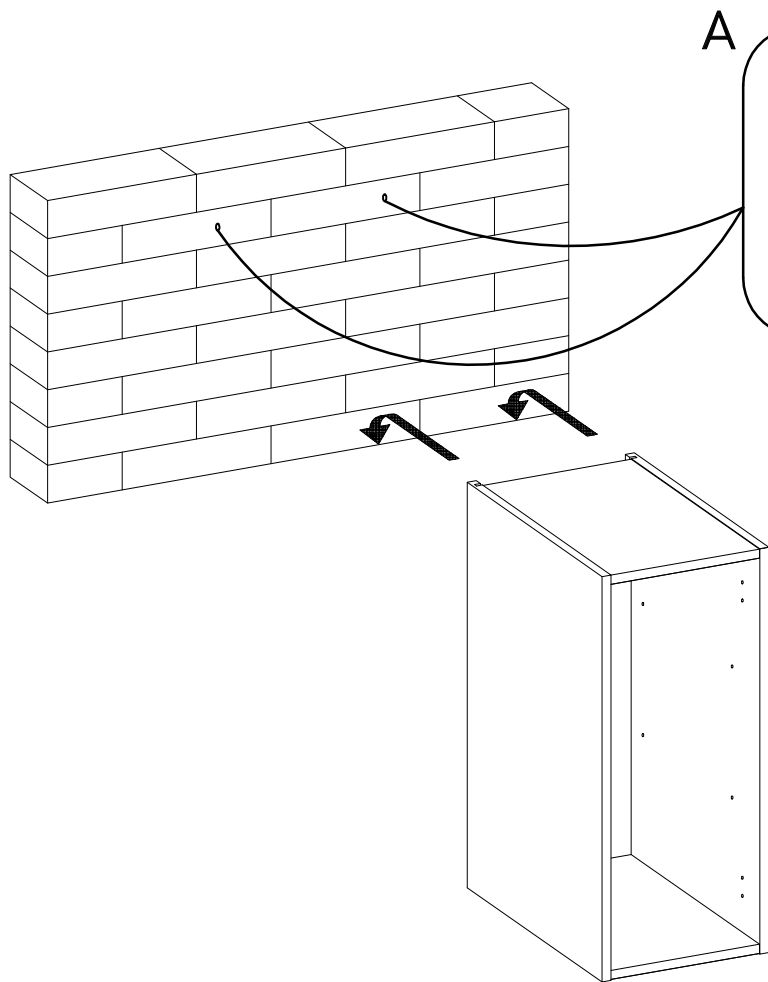
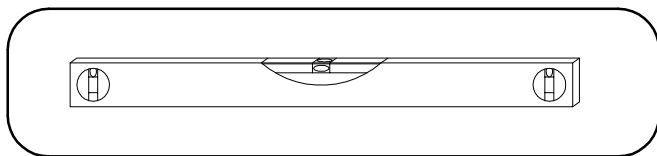
6,4 x 50mm		
		
B	O	E1
4	1	4

4



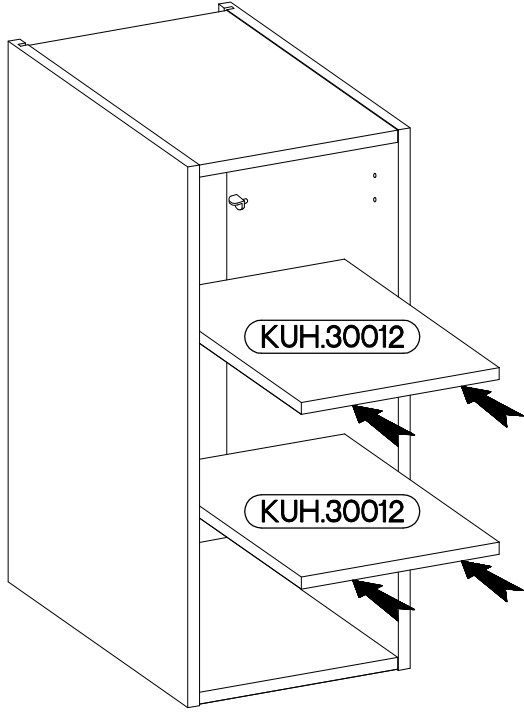
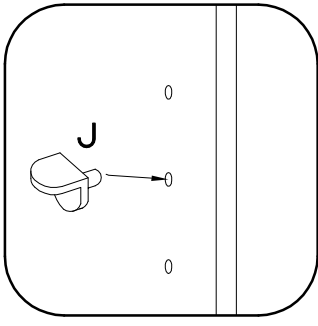
5





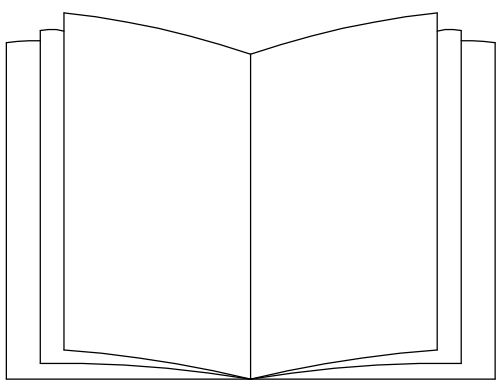
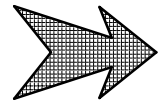
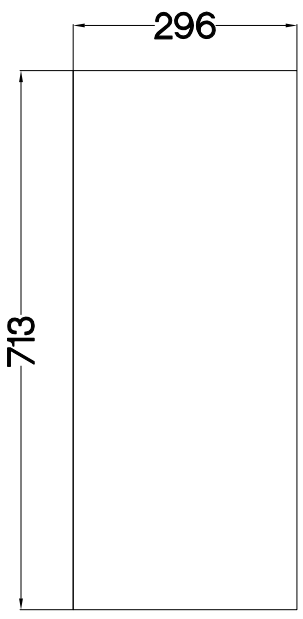
7

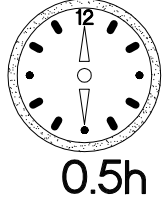
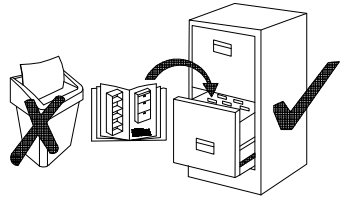
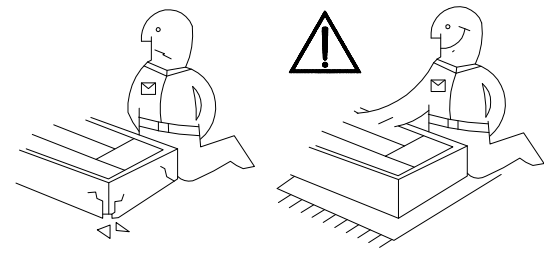
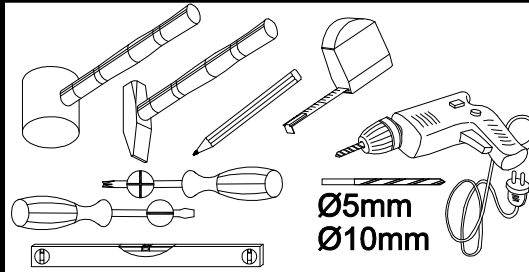
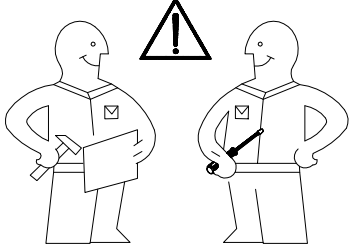
±5/19mm
J
12



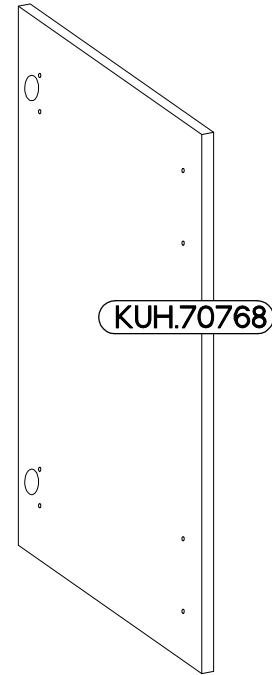
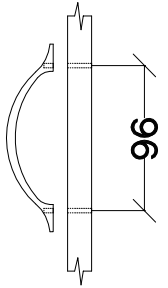
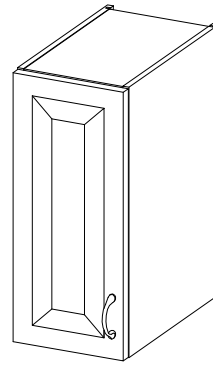
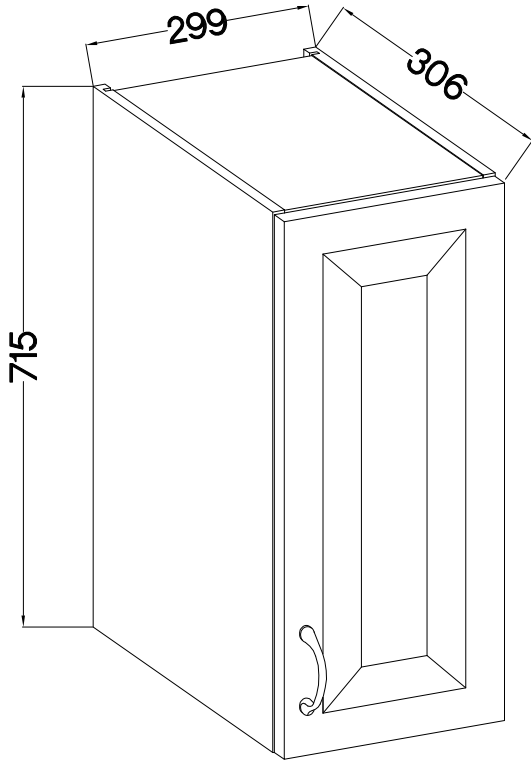
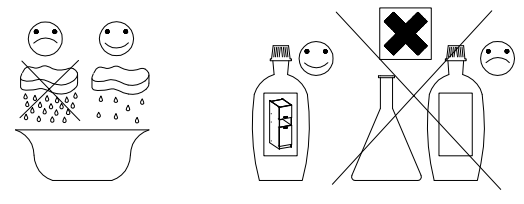
8



FRONT





30 G-72 1F
FRONT

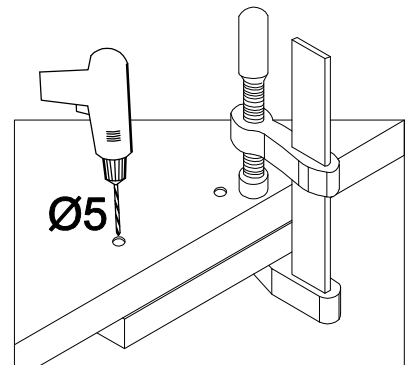
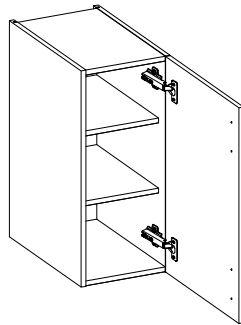
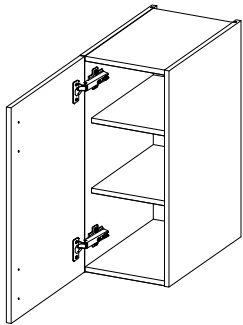
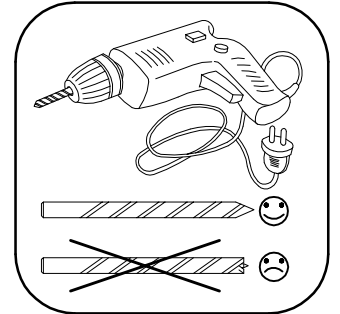
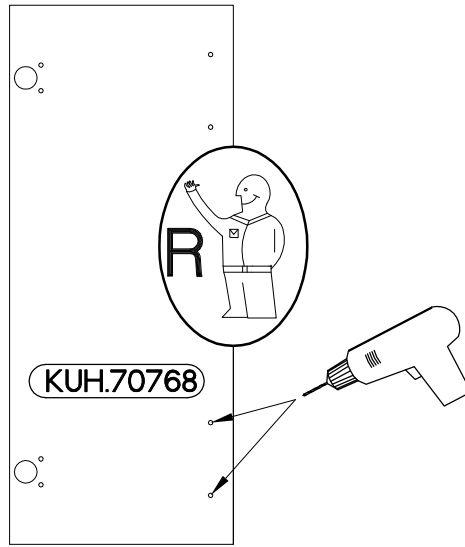
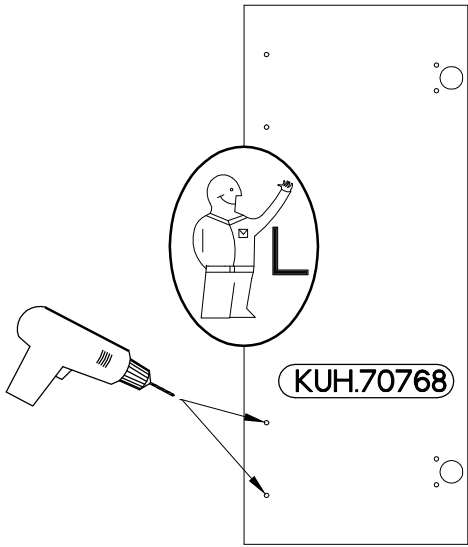


M4x22mm	
	
U	S
2	1



1

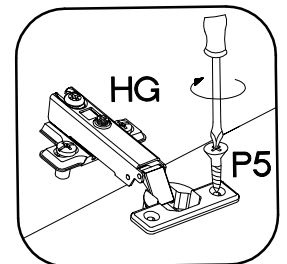
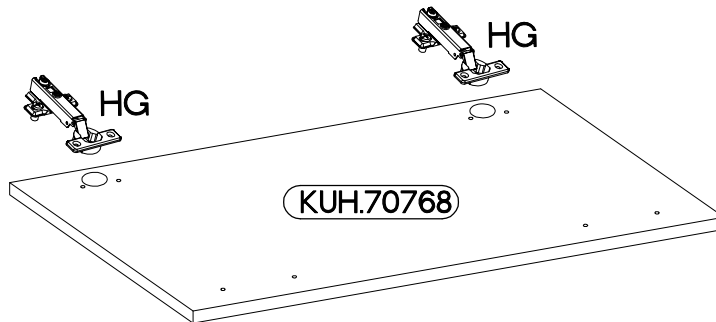
LEFT

RIGHT



2

$\pm 35/0\text{mm}$	$\pm 3.5 \times 13\text{mm}$
	
HG	P5
2	4



M4x22mm



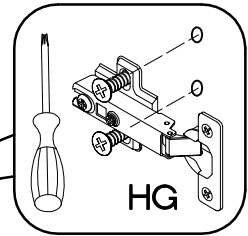
U

2

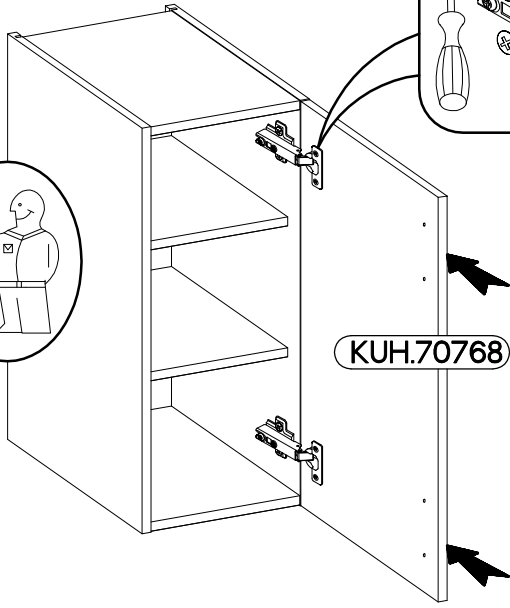
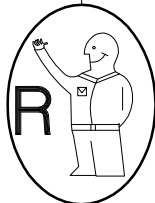


S

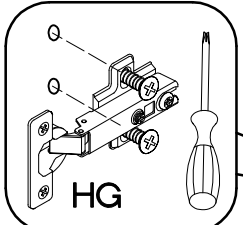
1



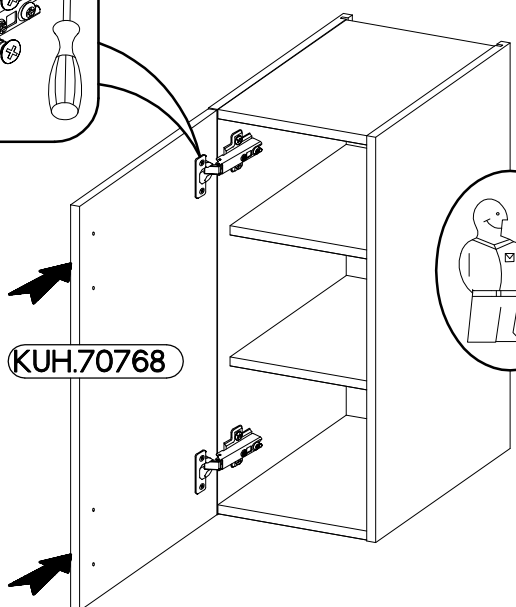
HG



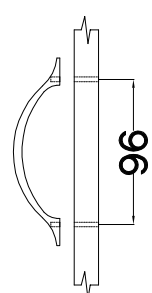
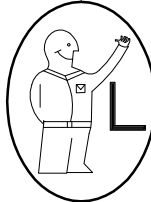
KUH.70768



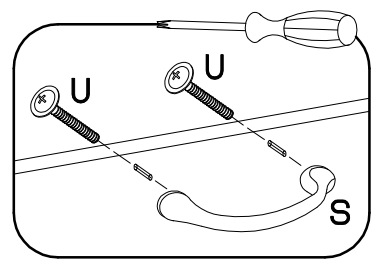
HG



KUH.70768



96



U

S

