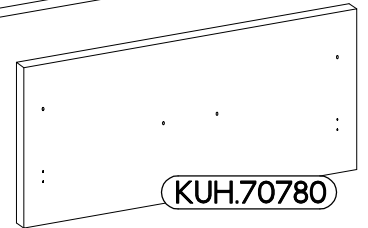
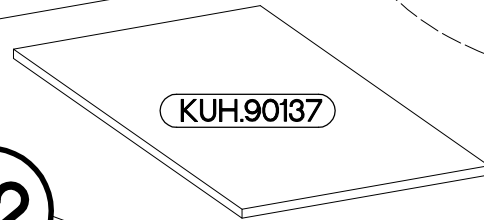
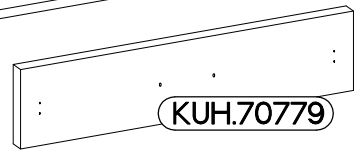
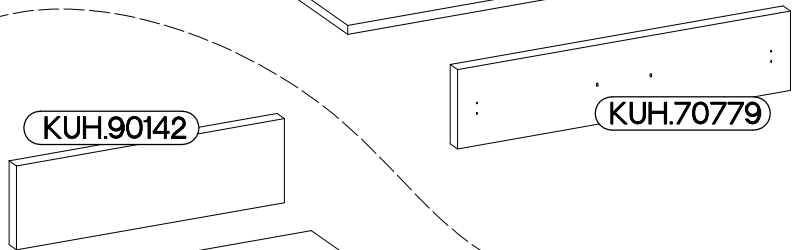
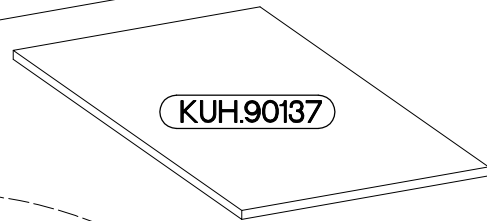
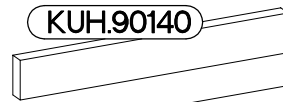
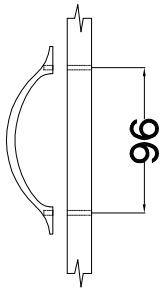
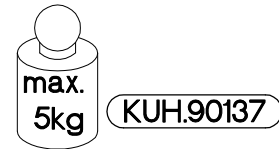
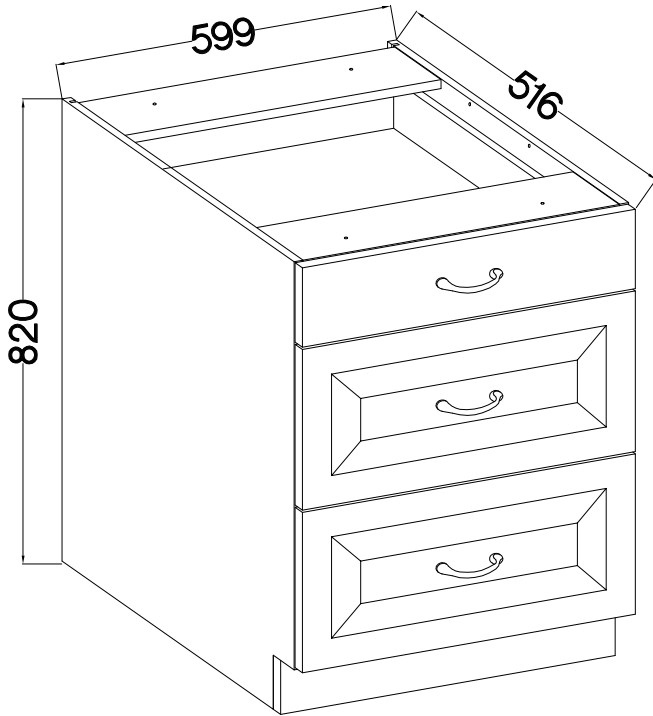
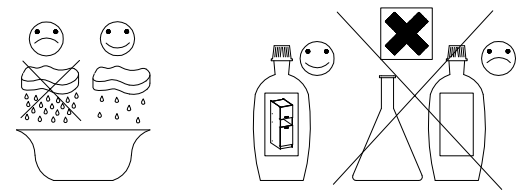


60 D 3S BB
Premium Box

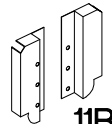
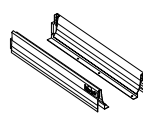
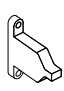
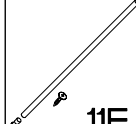



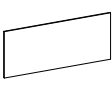


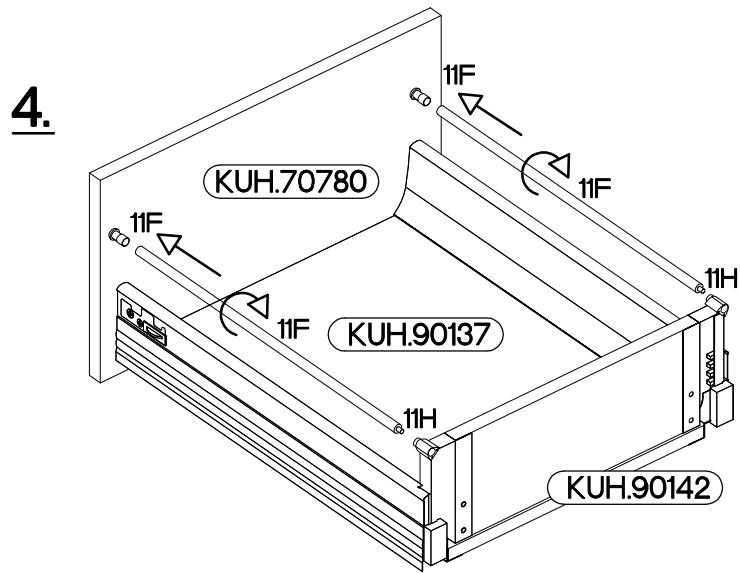
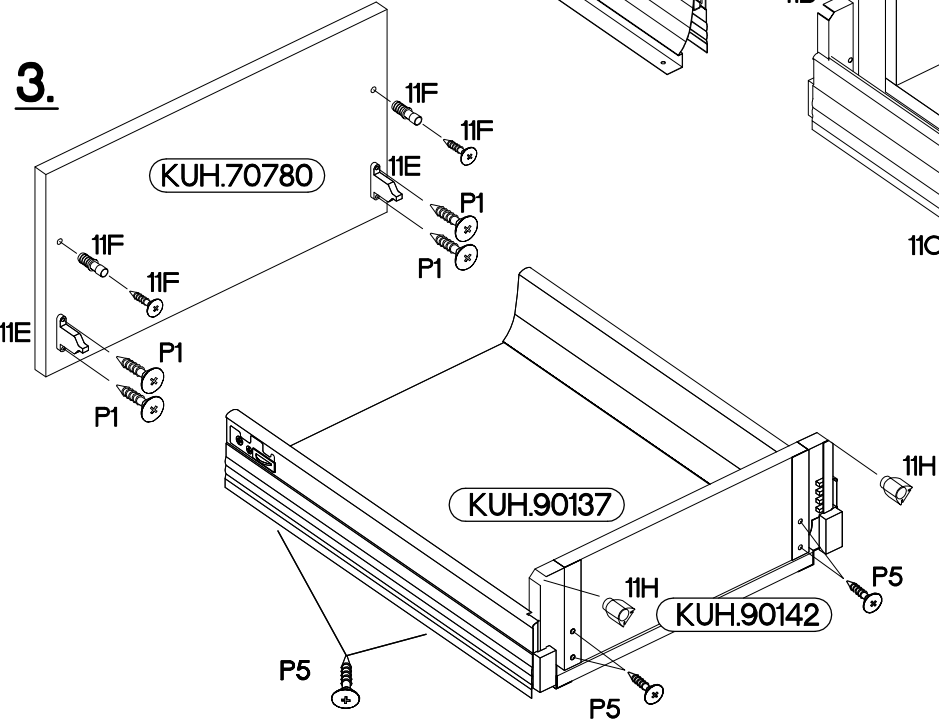
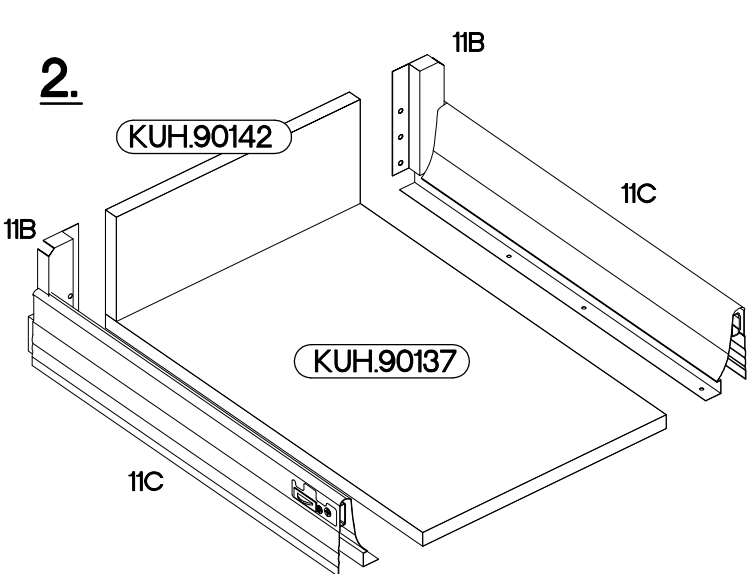
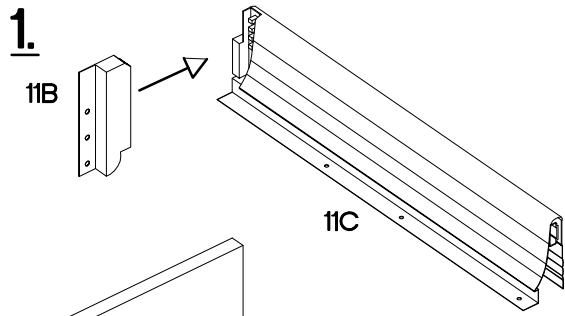
x2

3	2	3	1	6	4
6	4	12	24	24	3
		±6.3x13mm	±4.0x16mm	±3.5x13mm	M4x22mm
					6

ISM-KUH-01193

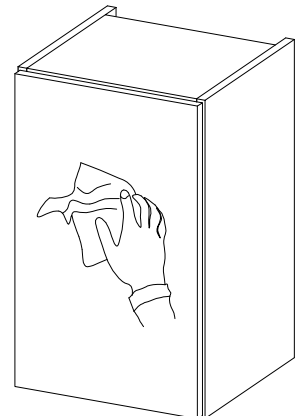
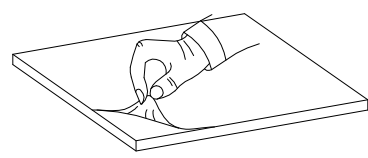
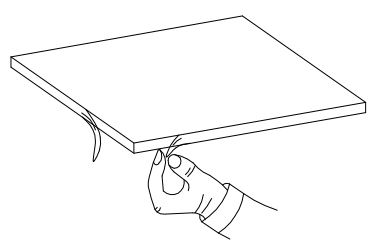
1

							
11B	11C	11E	11F	11H	P1	P5	11G
2	2	4	4	4	8	16	4

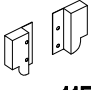
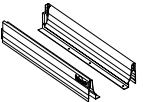
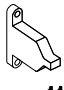





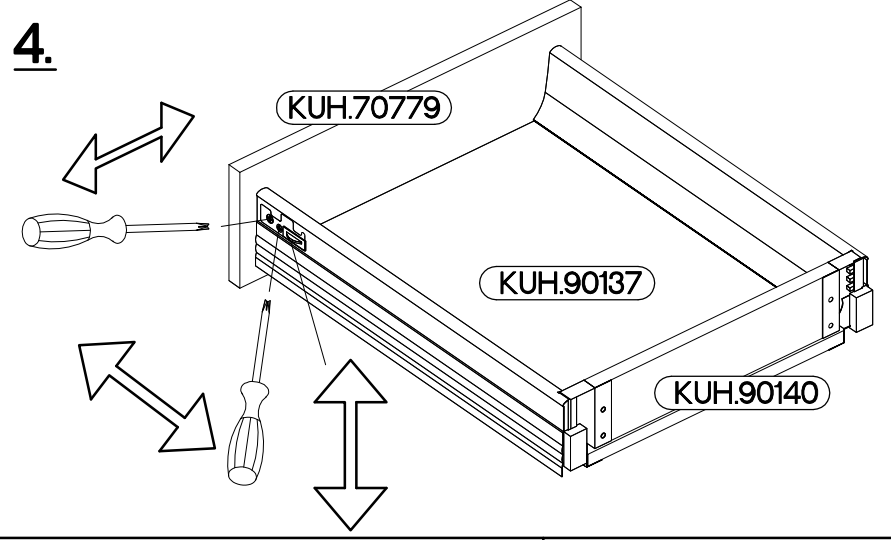
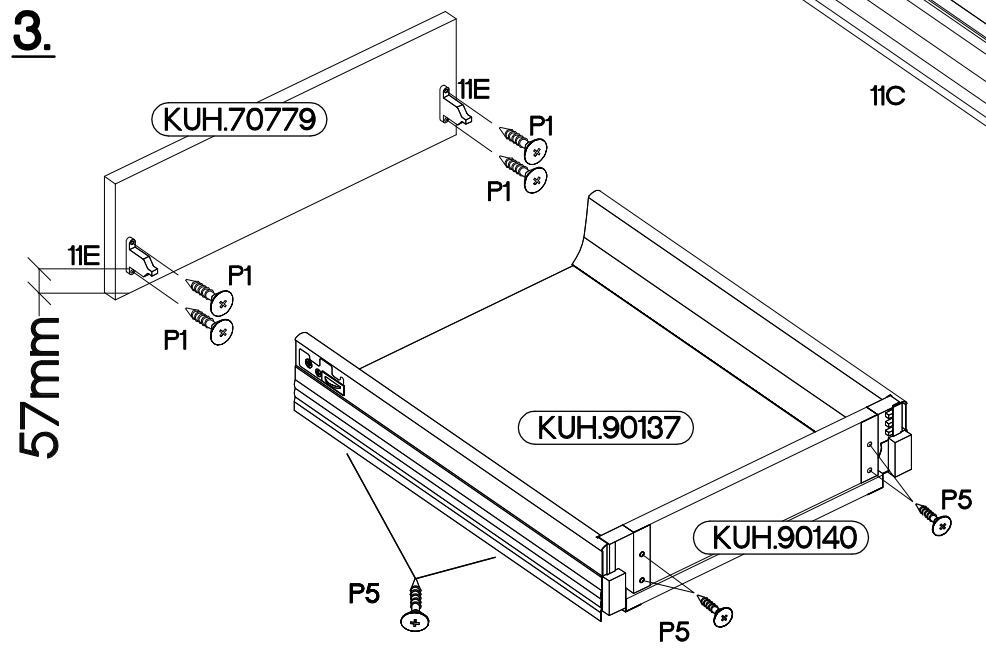
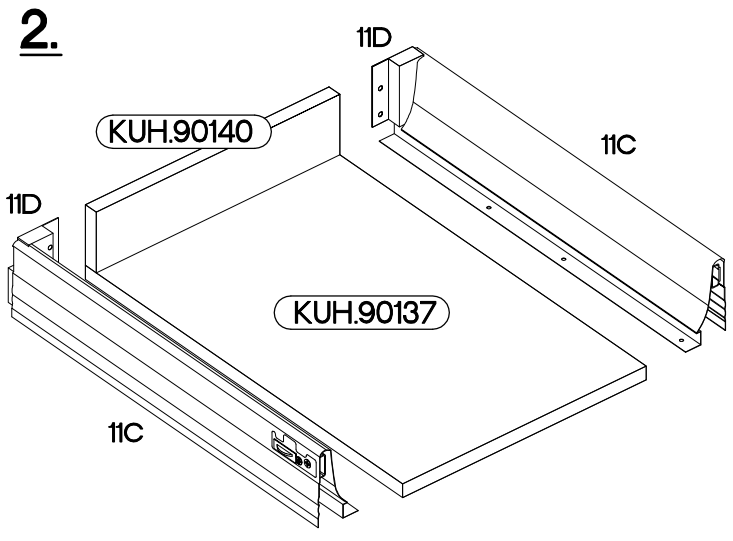
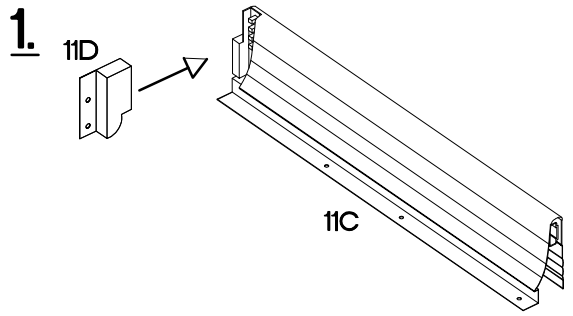
x2

VARIANT HIGH GLOSS

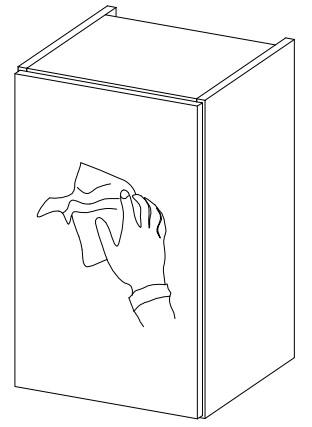
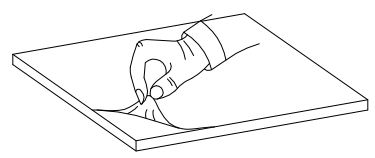
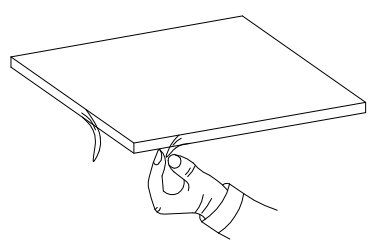


2

					
11D	11C	11E	P1	P5	11G
1	1	2	4	8	2

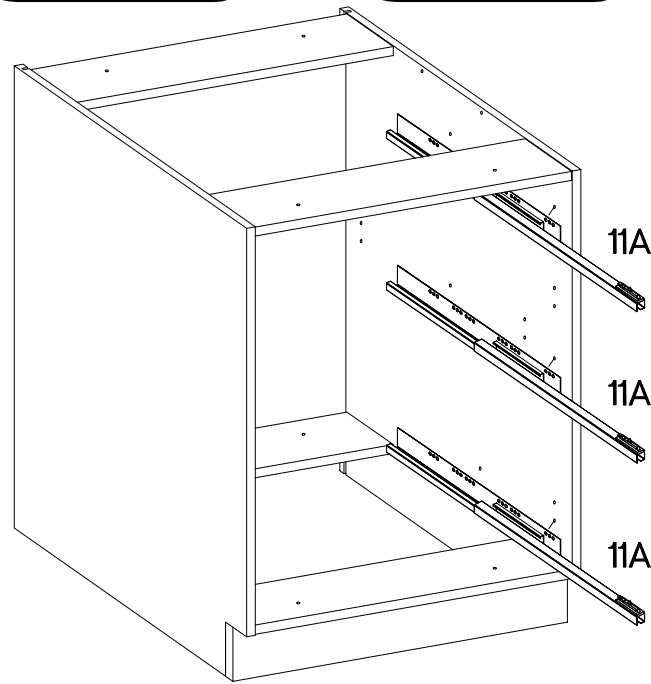
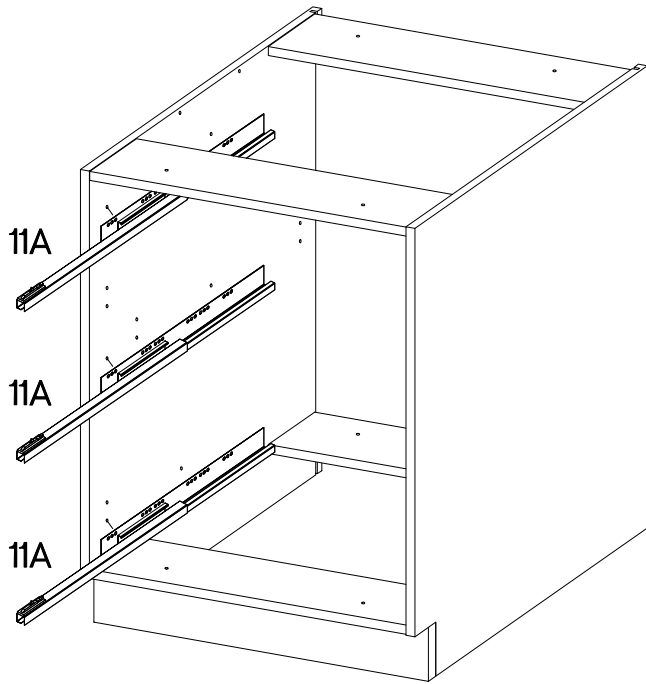
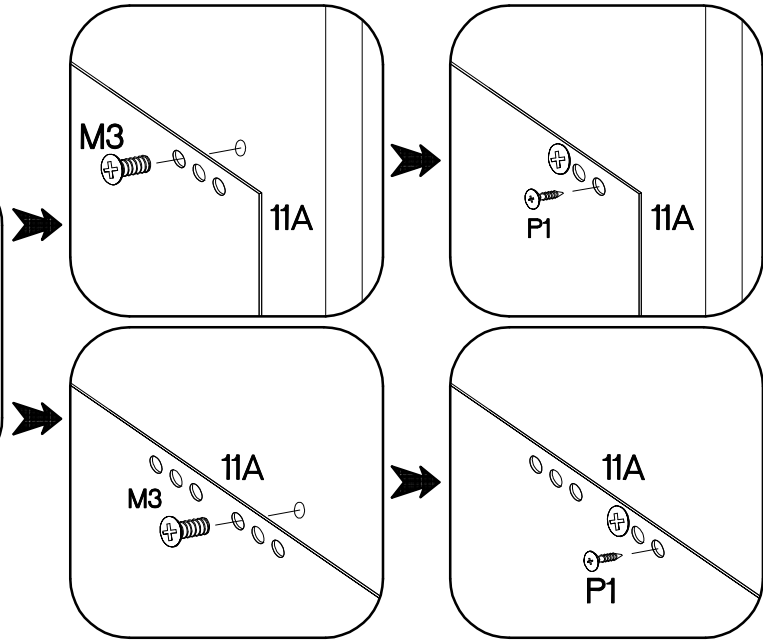
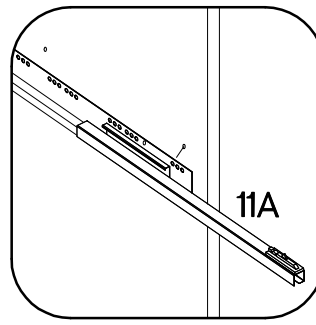


VARIANT HIGH GLOSS



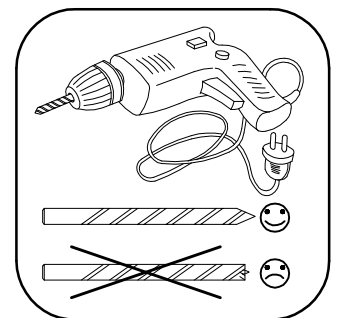
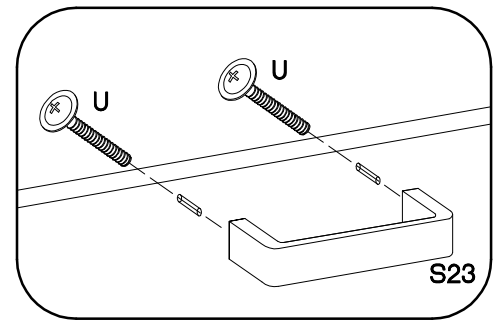
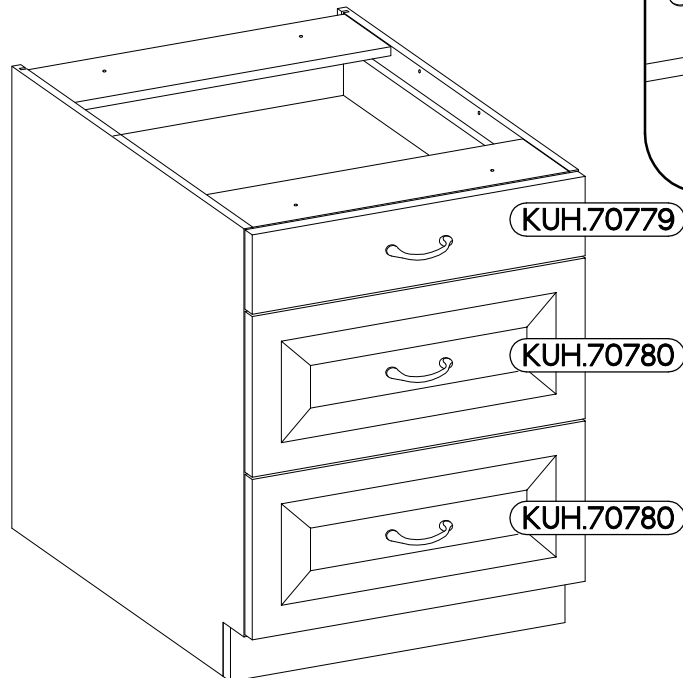
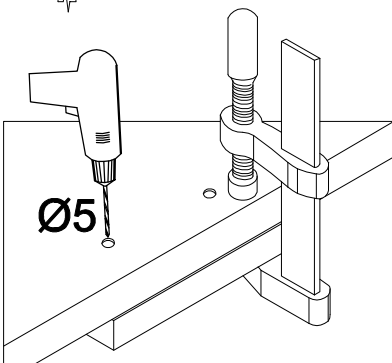
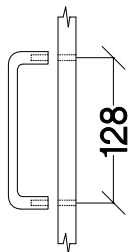
3

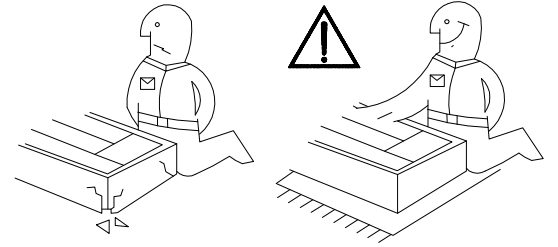
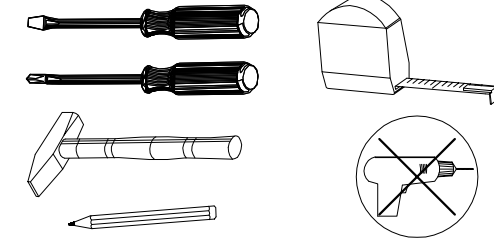
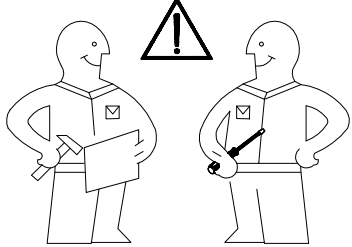
	+6.3x13mm 	+4.0x16mm
11A	M3	P1
3	12	12



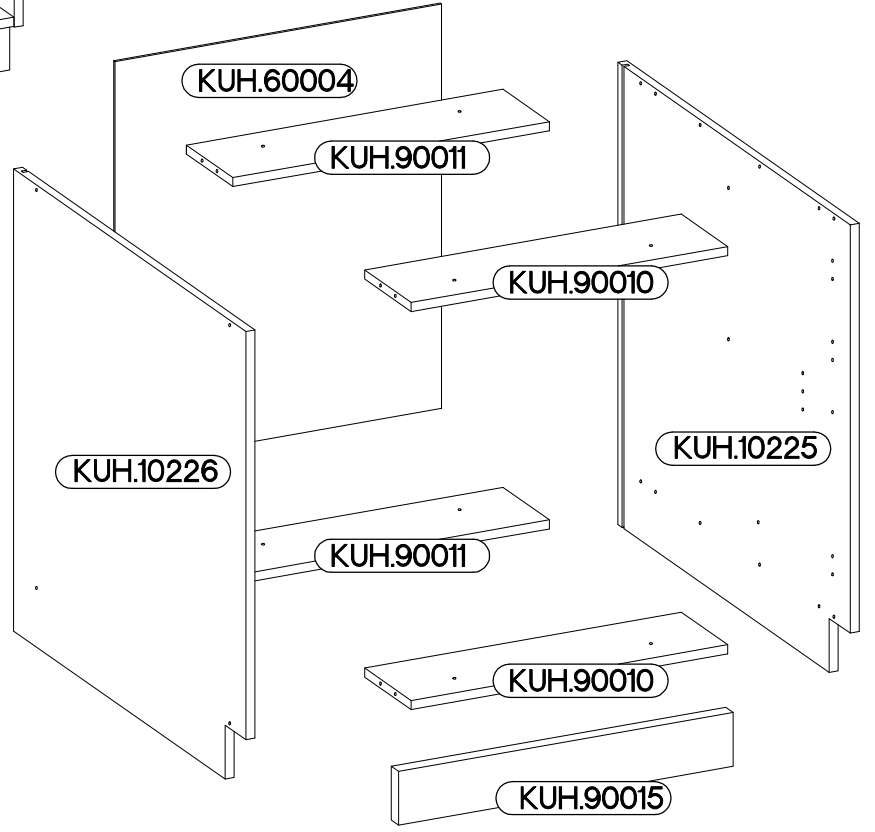
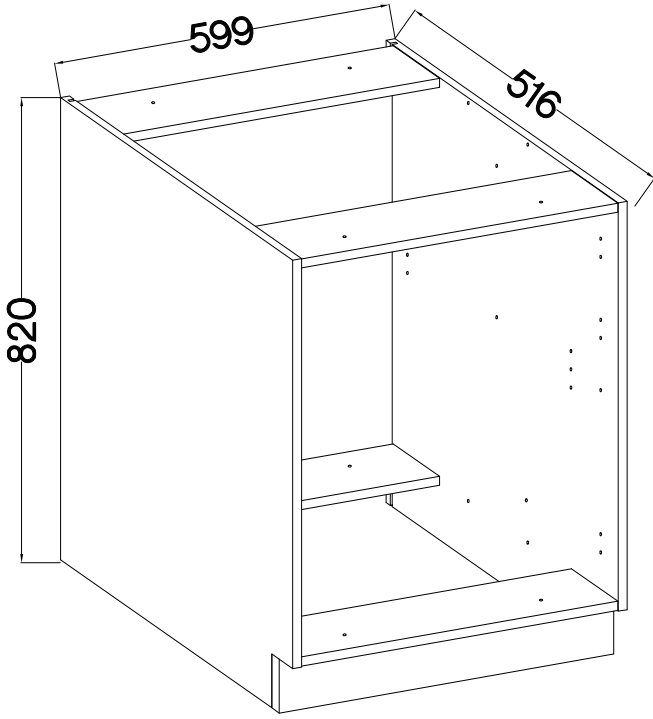
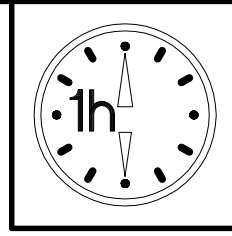
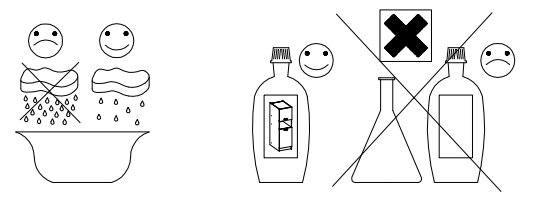
4

M4x22mm 	
U	S
6	3

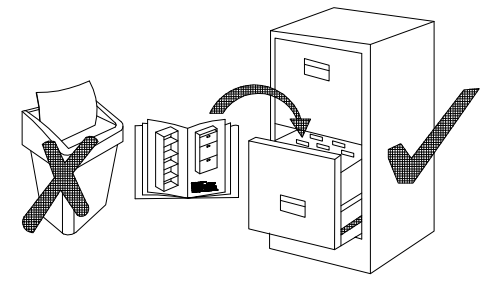




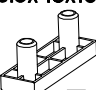
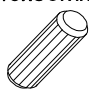
60 D 3S BB Premium Box

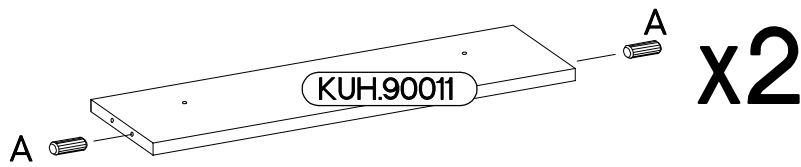
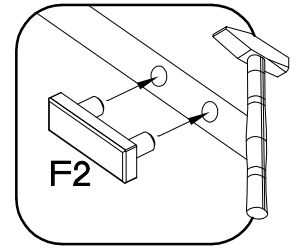
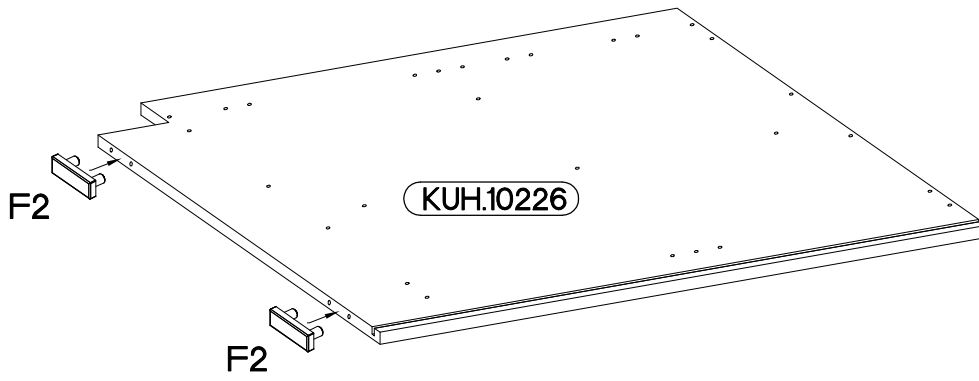
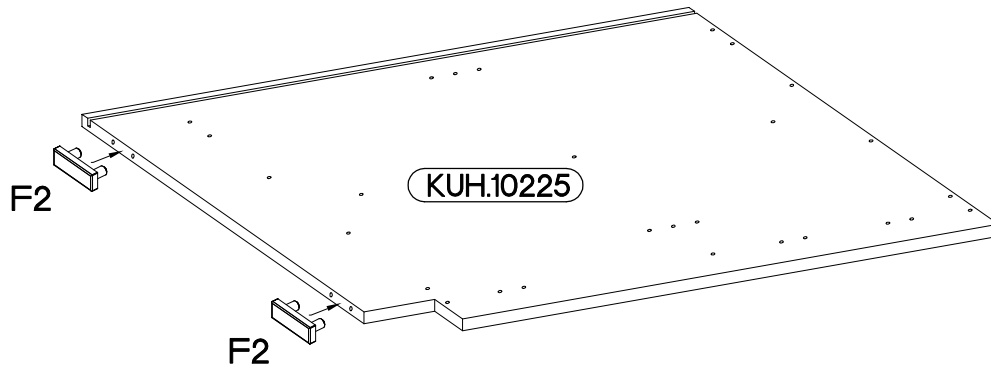
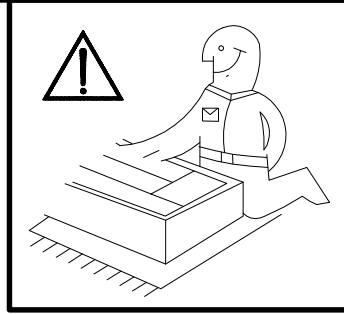


+8x30mm A	6,4 x 50mm B	 E1	 E9	
8	8	8	2	
6.5x48x16 F2	 O	+4.0x45mm P4	+3.0x20mm P7	+4.0x35mm R3
4	1	2	8-10	4

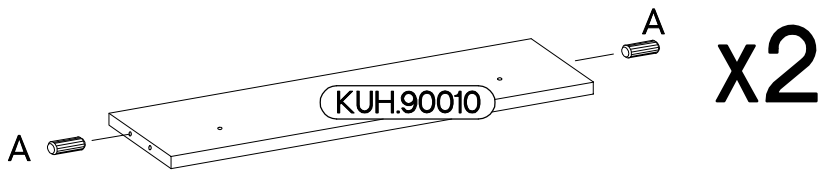


1

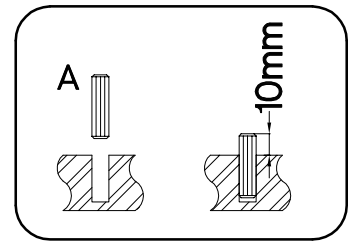
6.5x48x16  F2 4	+8x30mm  A 8
--	---



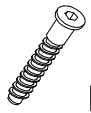
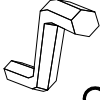

x2

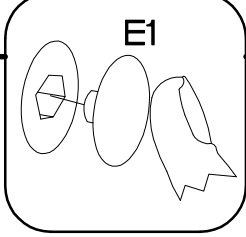
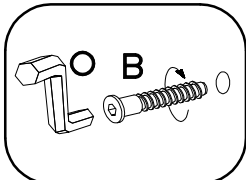
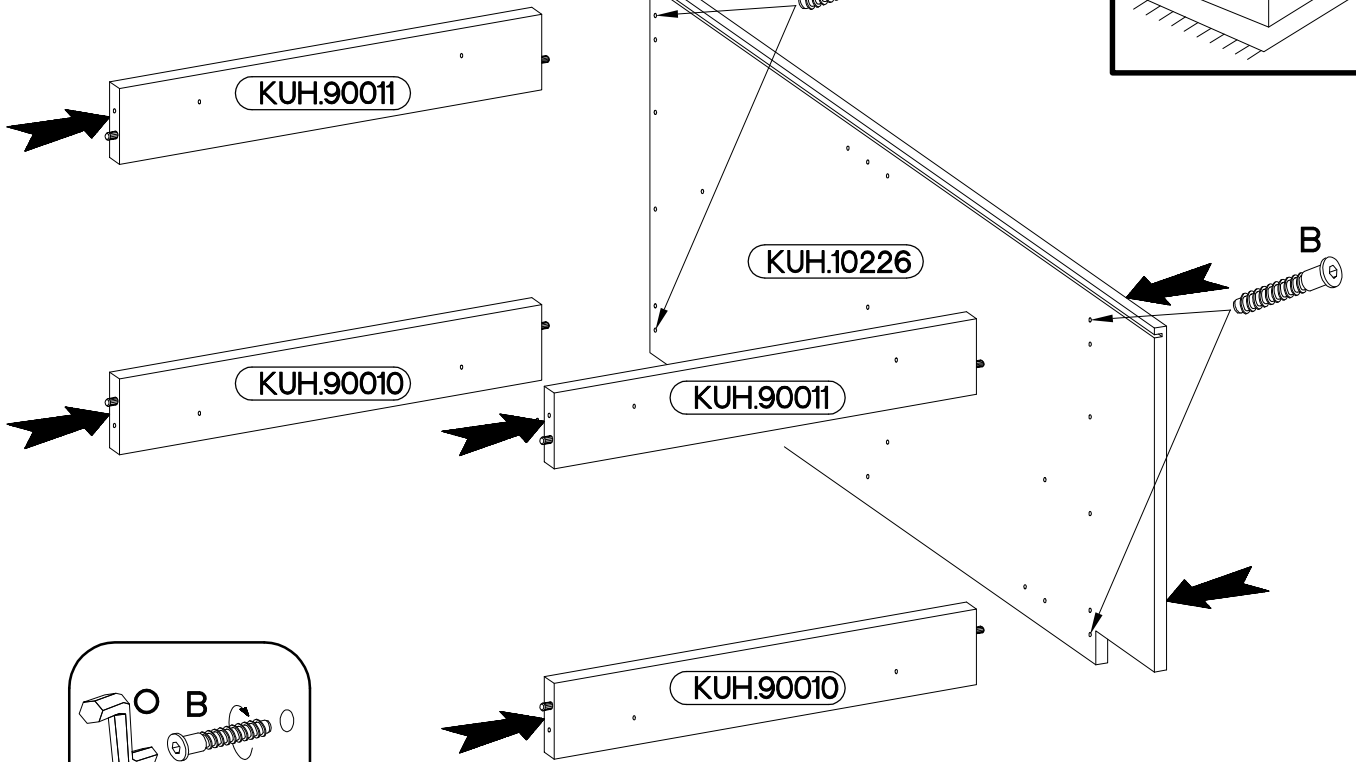
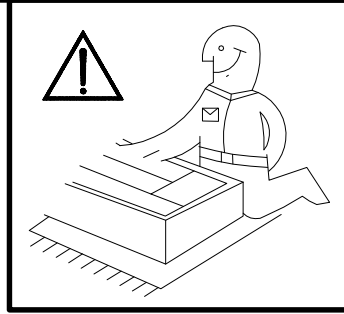


x2

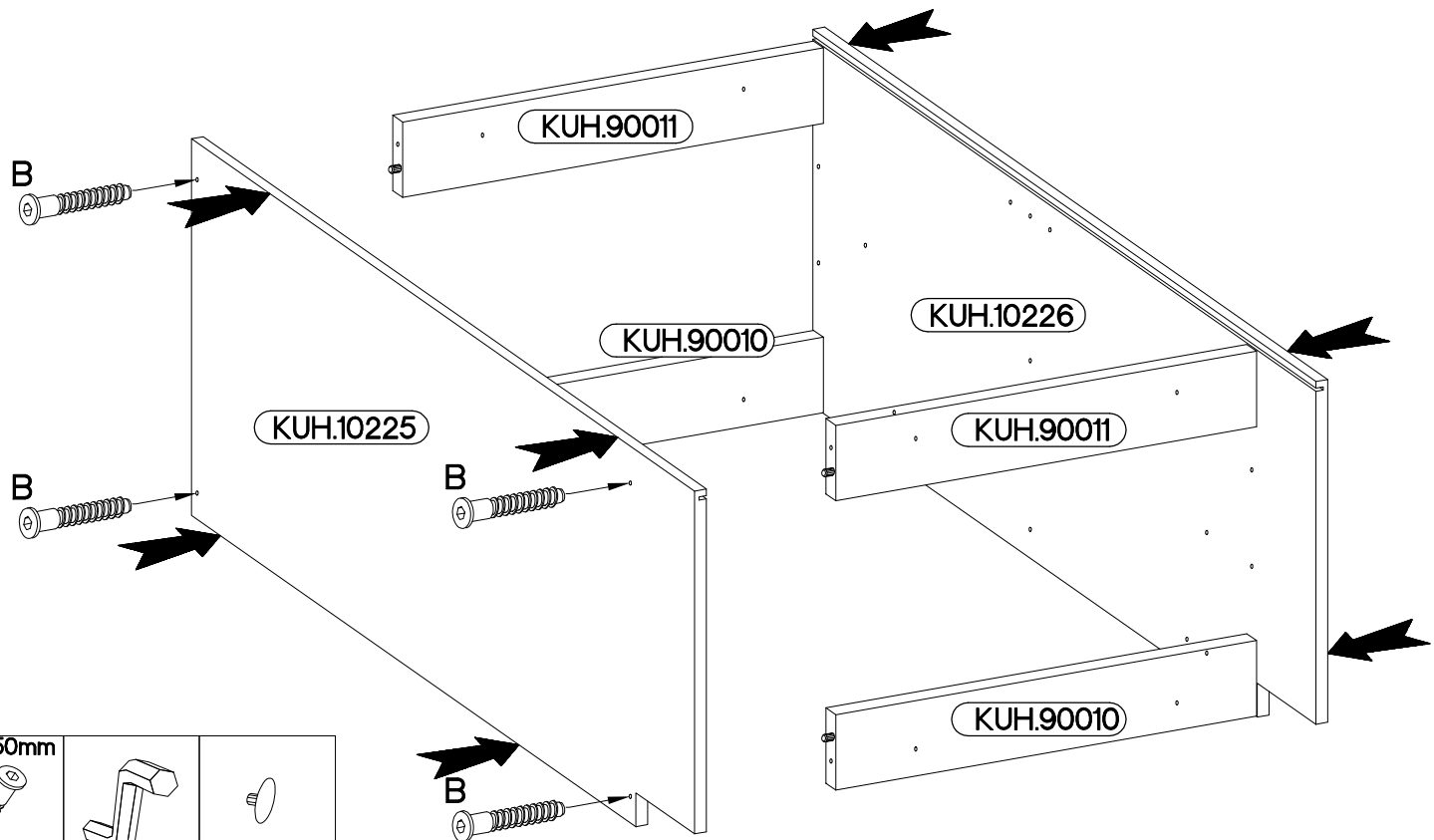



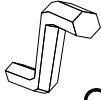

2

6,4 x 50mm		
		
B	O	E1
4	1	4

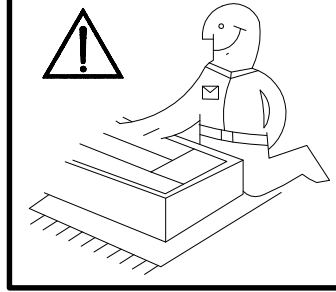
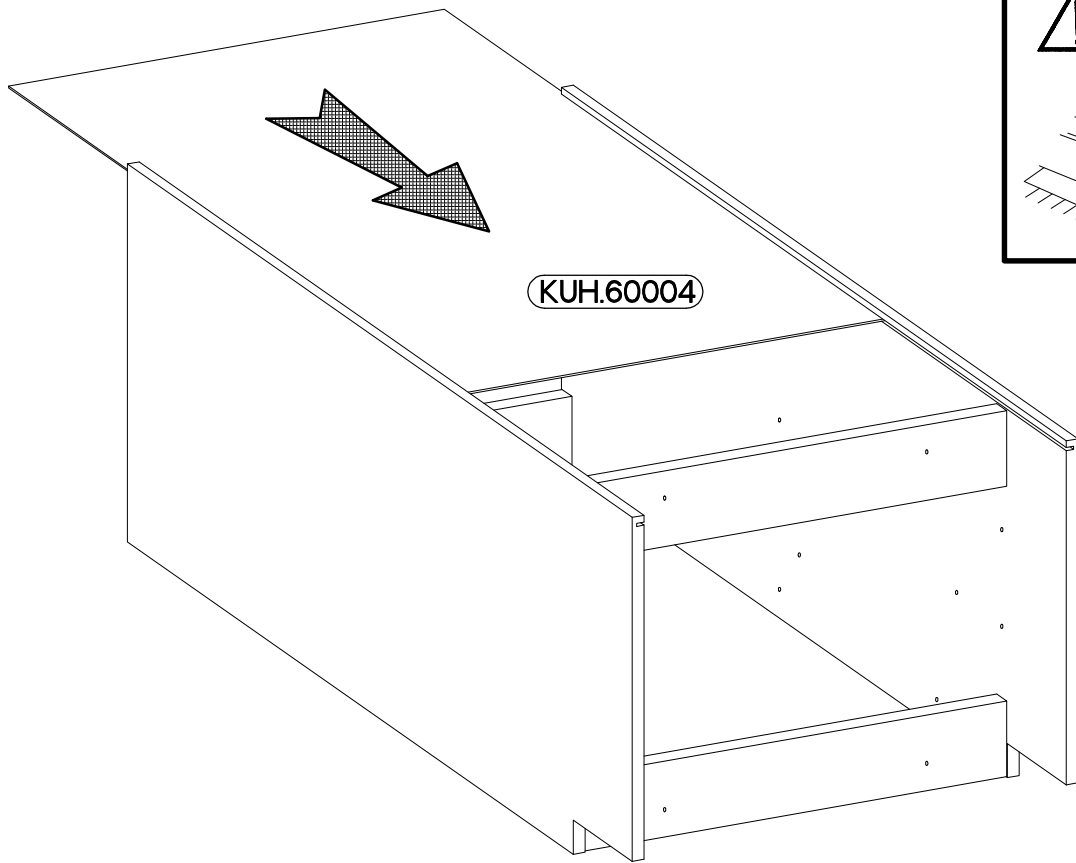


3

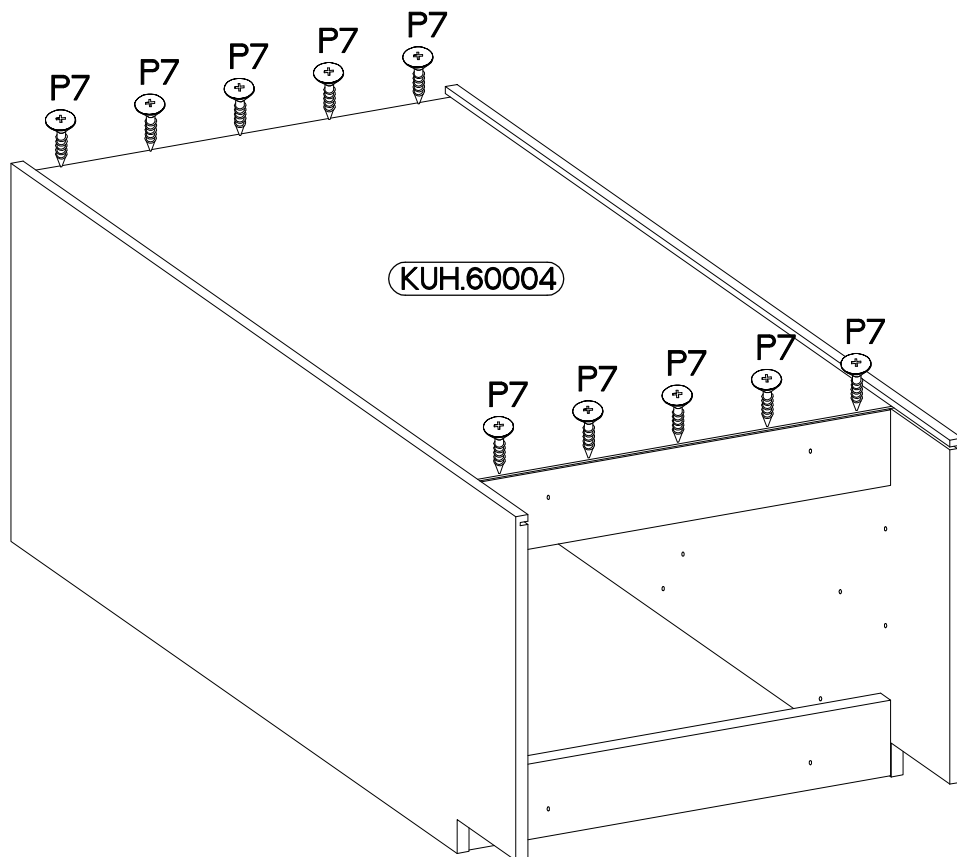
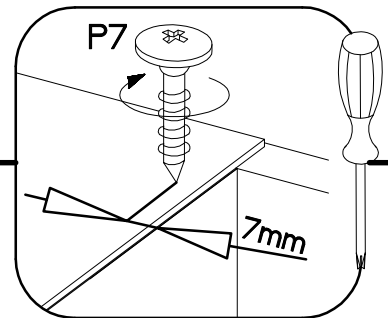
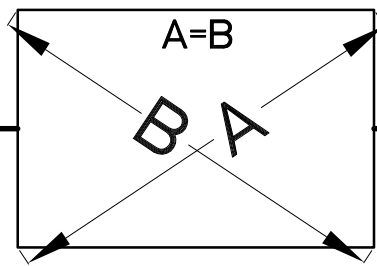
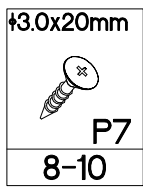


6,4 x 50mm		
		
B	O	E1
4	1	4

4



5



6

4.0x45mm



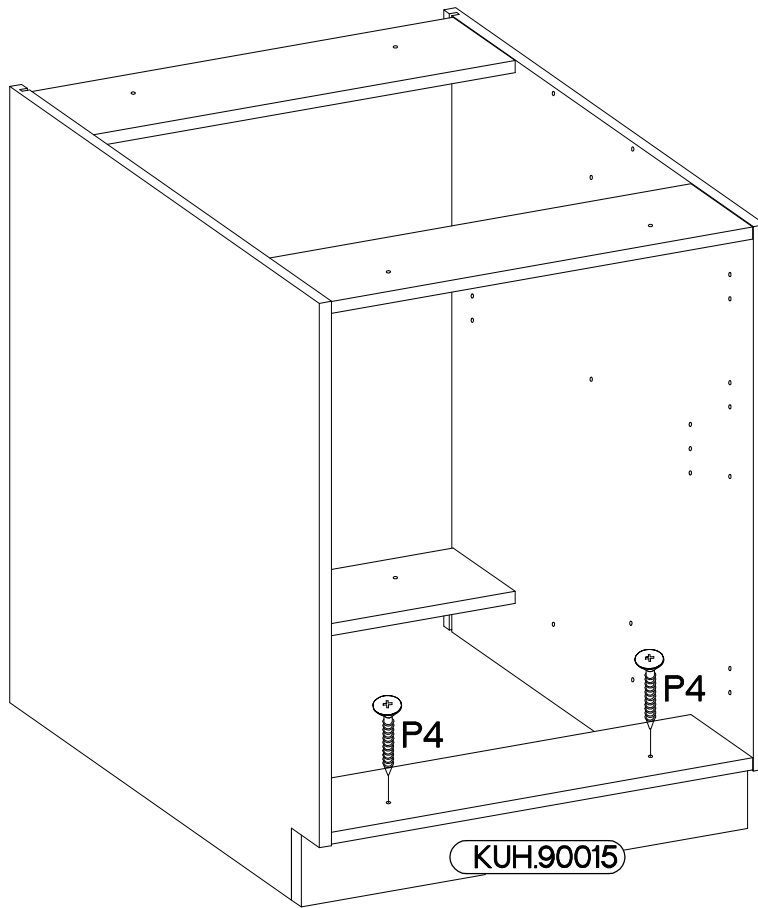
P4

2

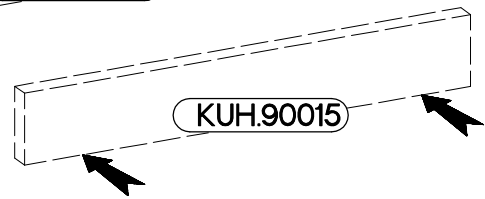


E9

2



KUH.90015



KUH.90015

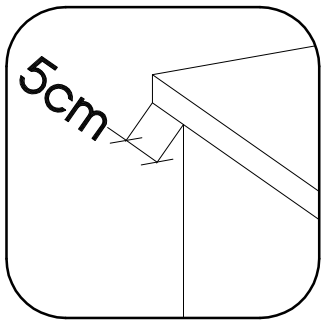
7

4.0x35mm

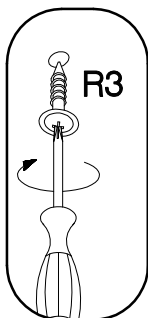


R3

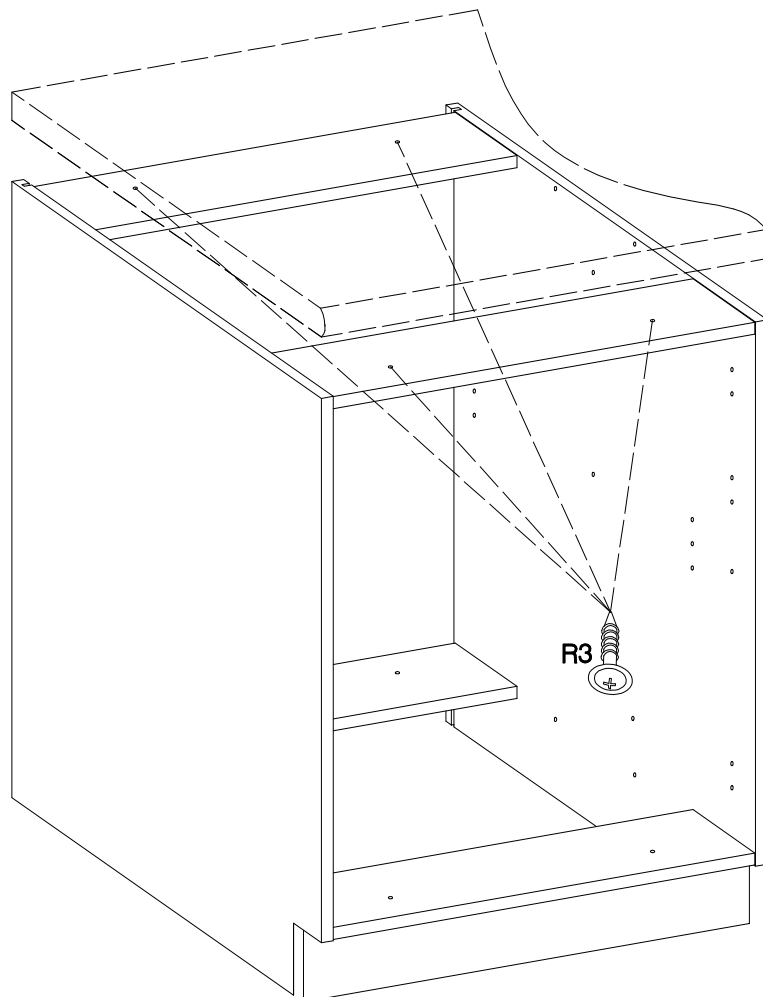
4



5cm



R3



R3