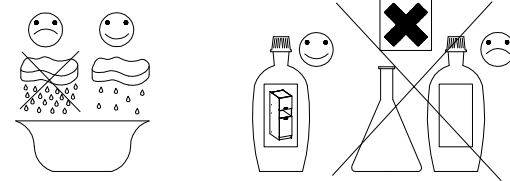
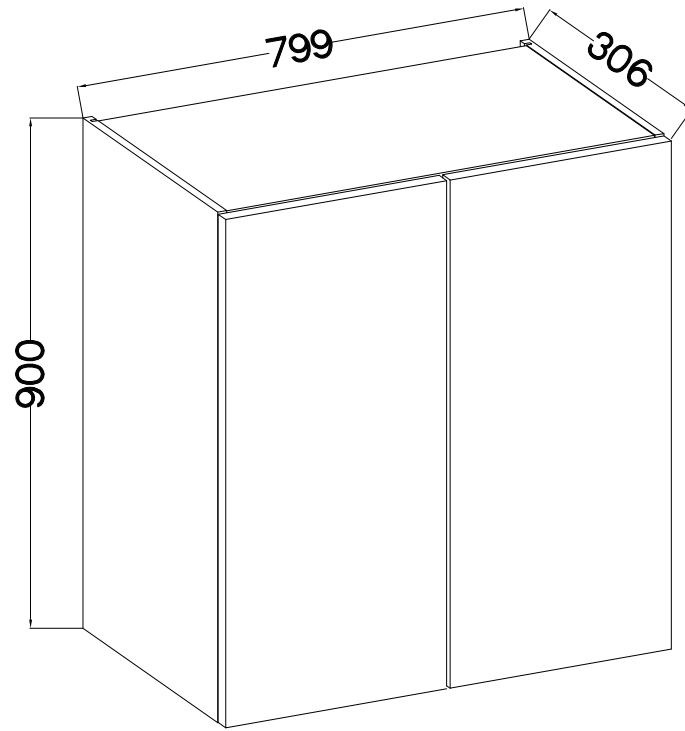
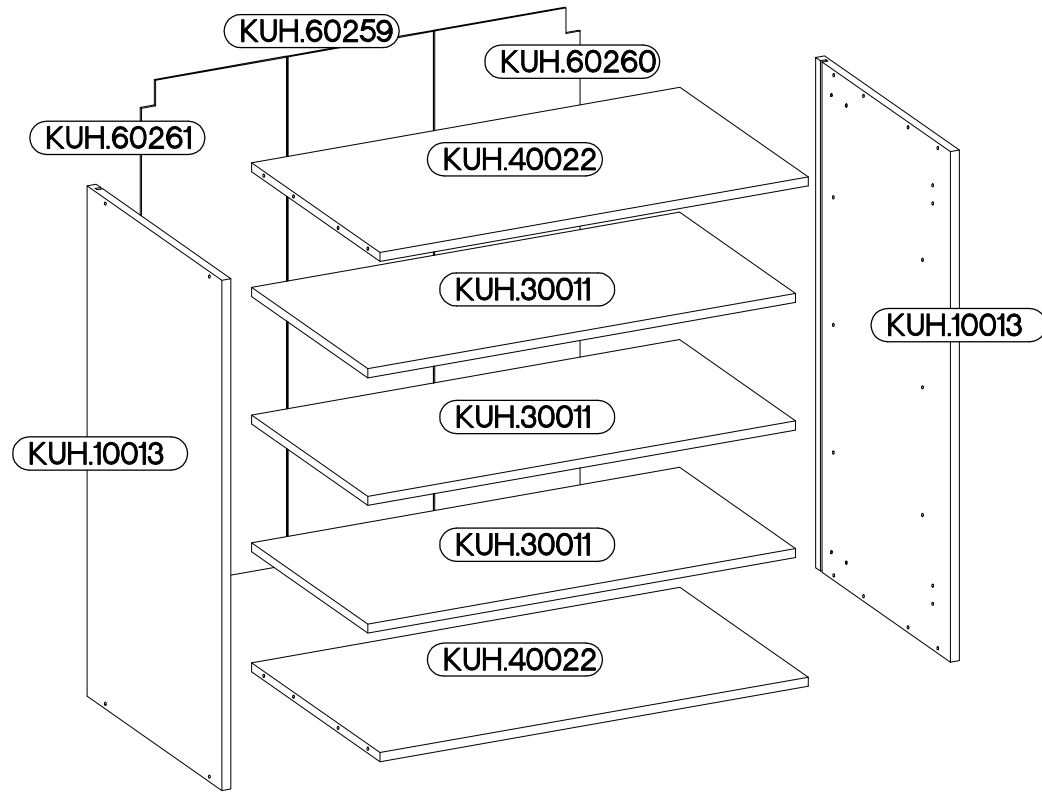
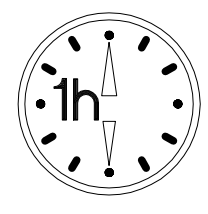


Ø10mm

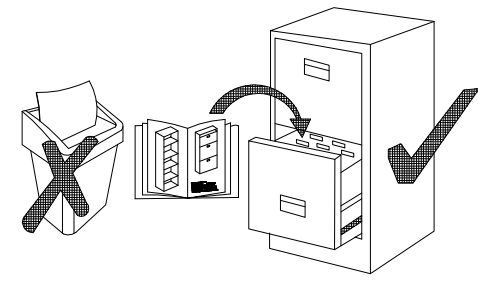
80 G-90 2F



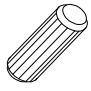

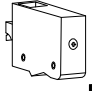
KUH.30011
KUH.40022

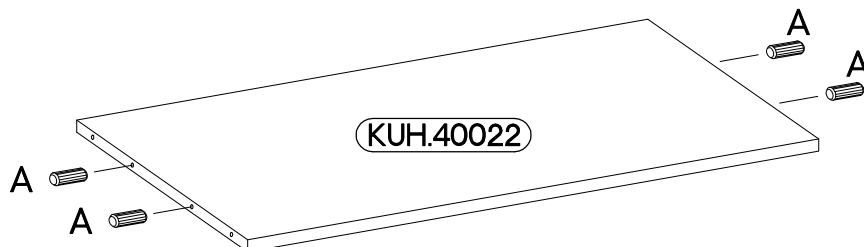
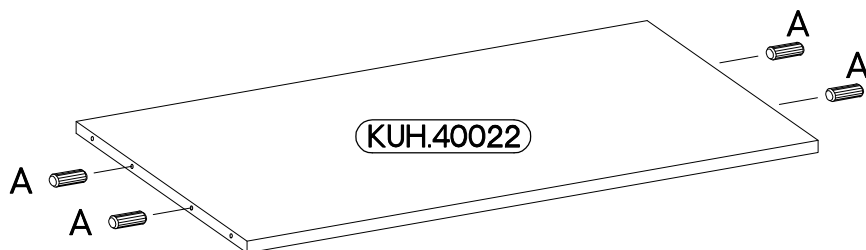
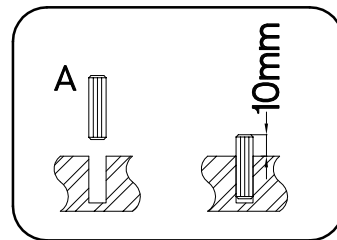
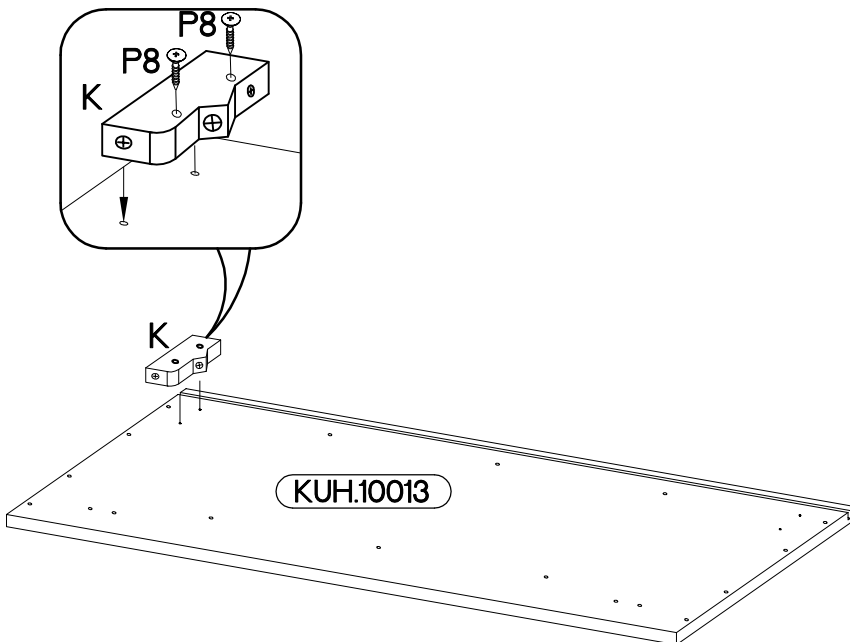
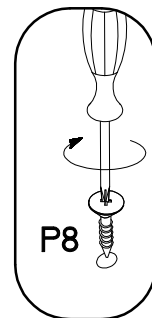
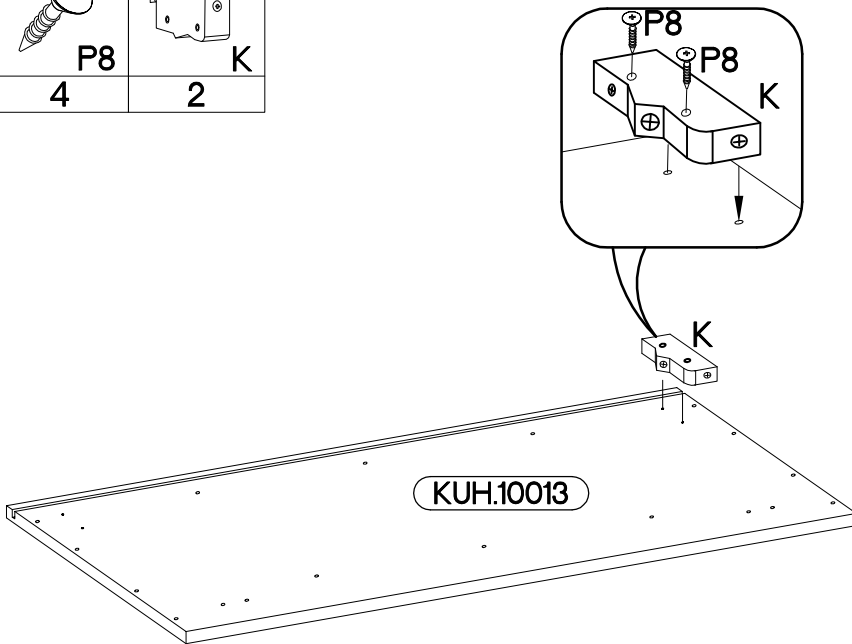
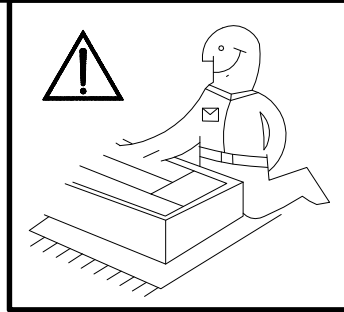


+8x30mm A 8	6,4 x 50mm B 8	 E1 8	+35/0mm HG 4
+5/19mm J 12	 K 2	L1=865mm L1 2	 O 1
 P5 8	 P7 15-20	 P8 4	

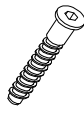
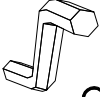



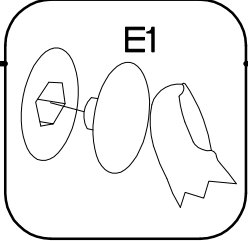
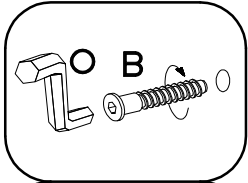
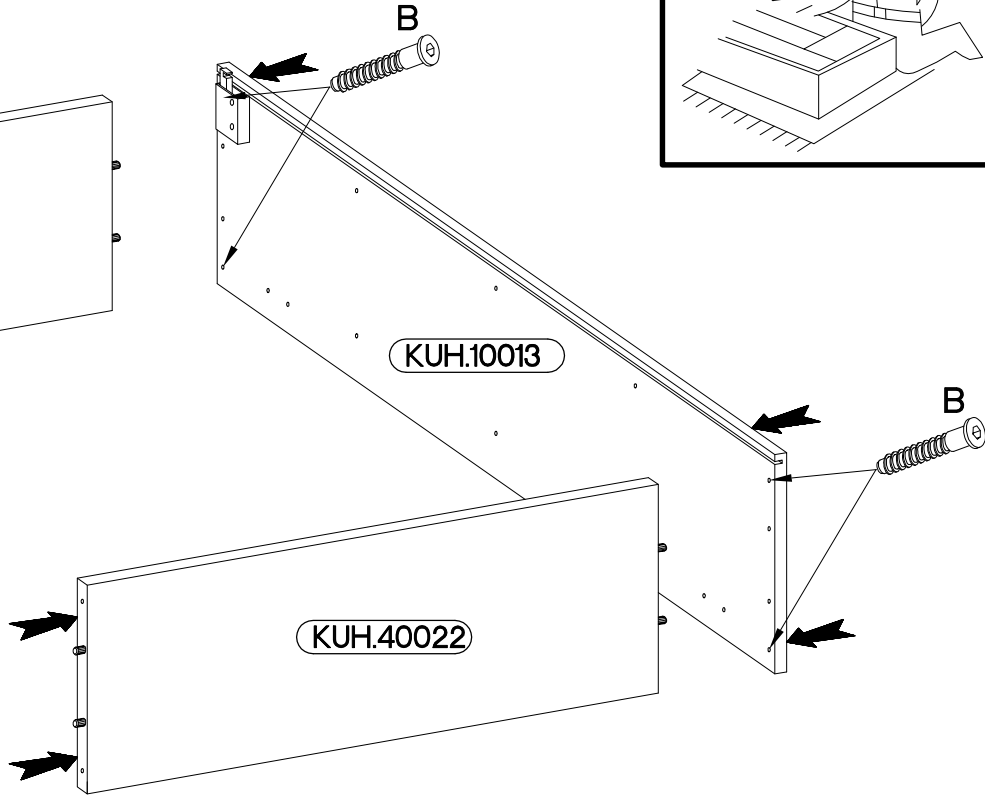
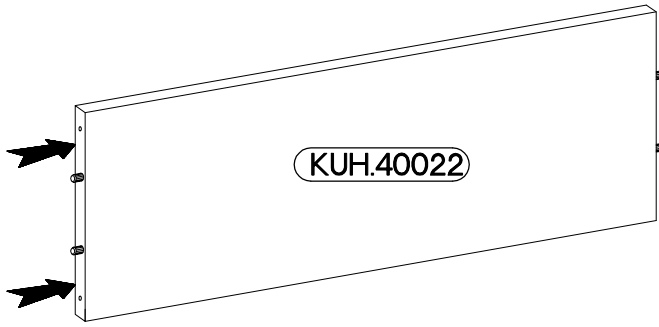
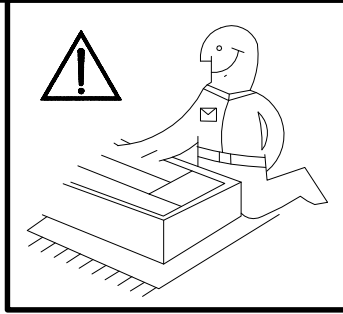
ISM-KUH-01146

 +8x30mm A	 +4.0x30mm P8	 K
8	4	2

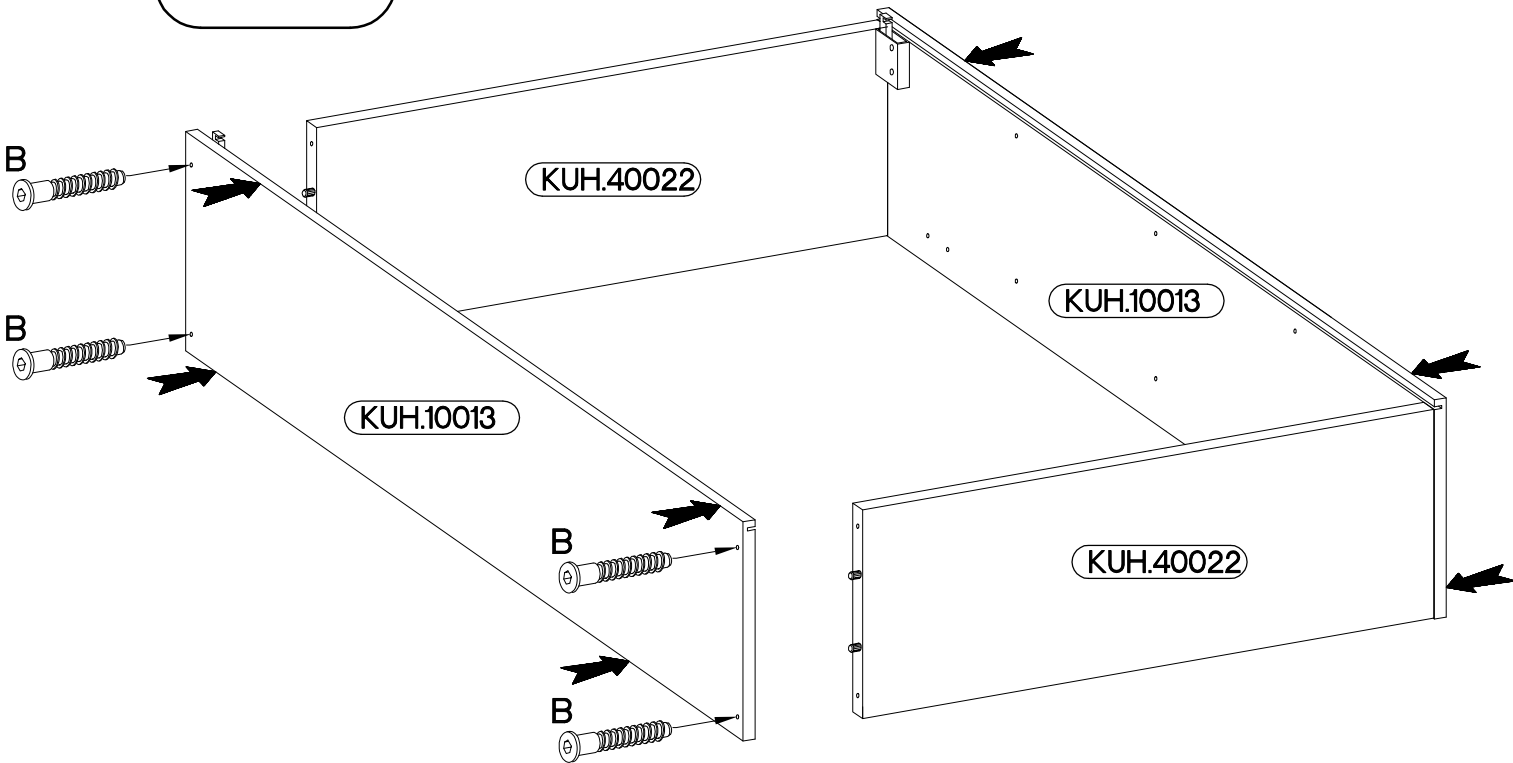


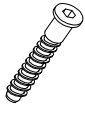
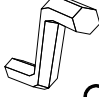

2

6,4 x 50mm		
		
B	O	E1
4	1	4



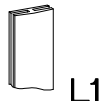
3



6,4 x 50mm		
		
B	O	E1
4	1	4

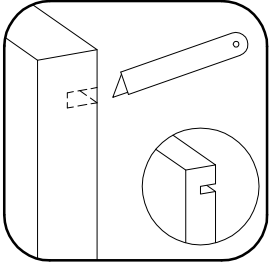
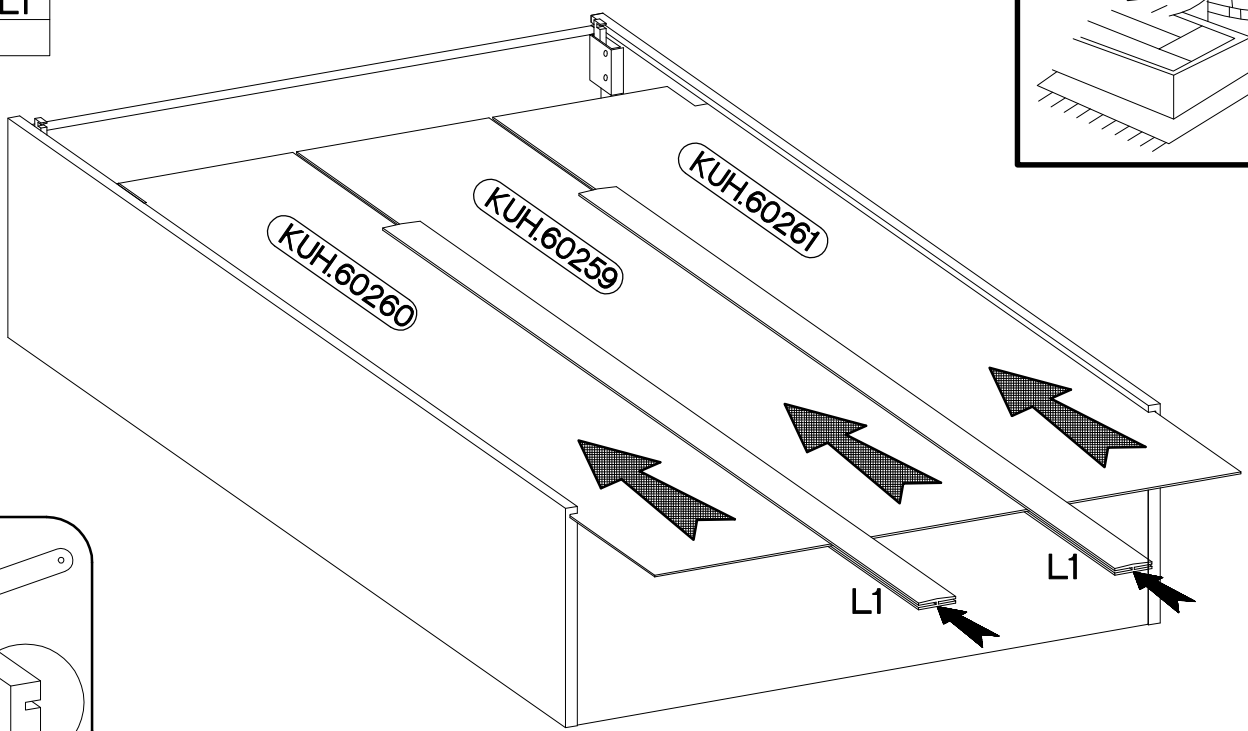
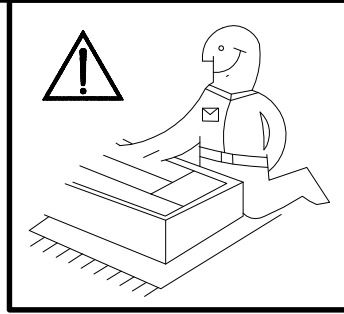
4

L1=865mm




L1

2



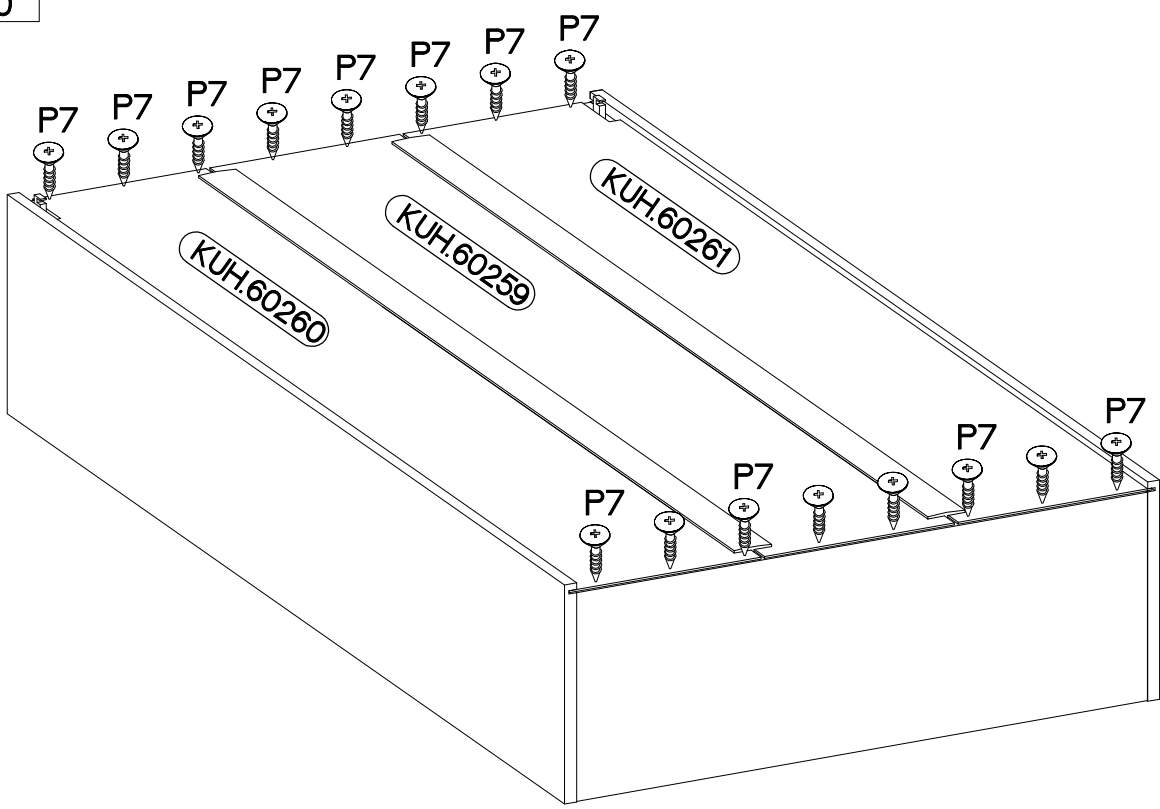
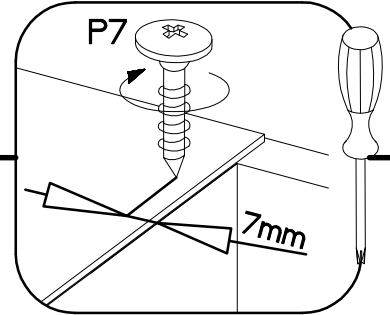
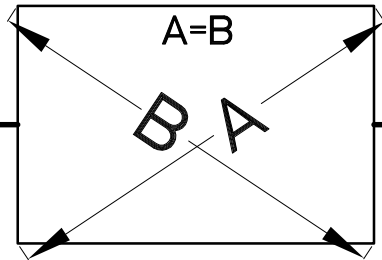
5

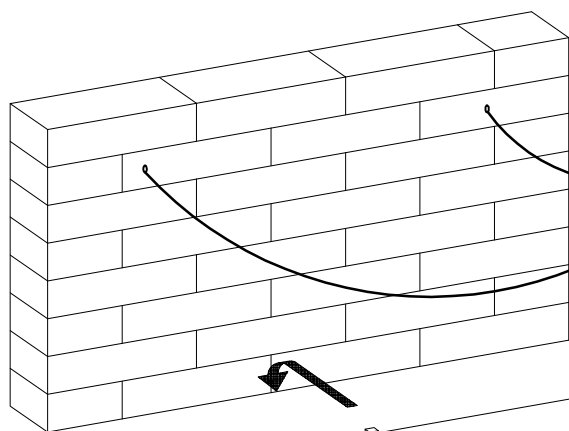
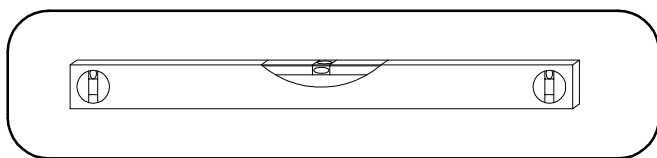
±3.0x20mm



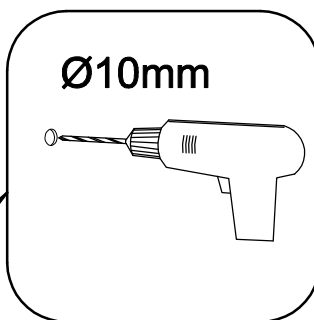
P7

15-20



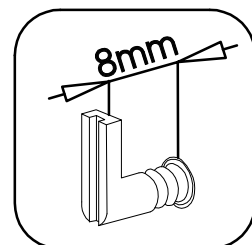
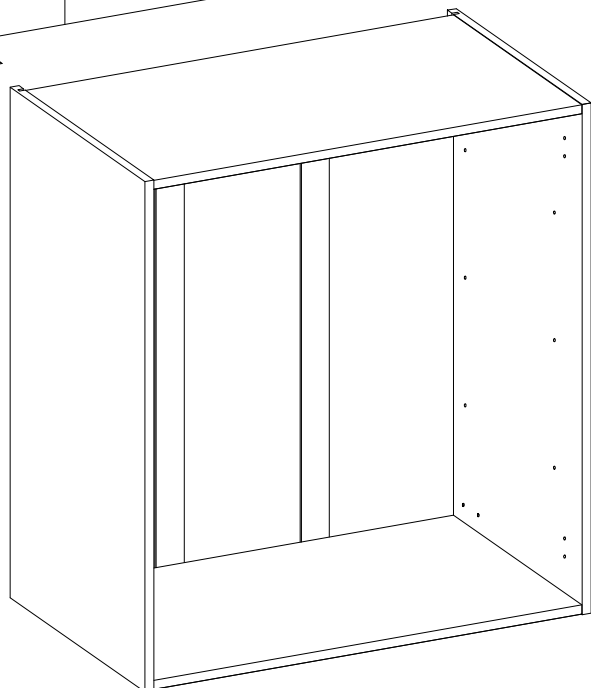
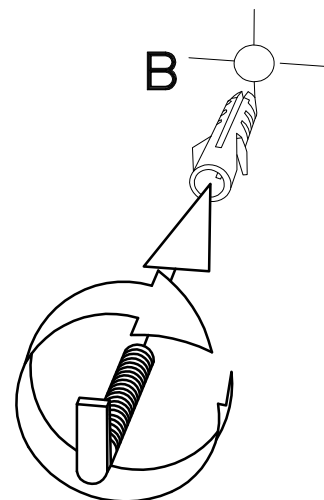


A

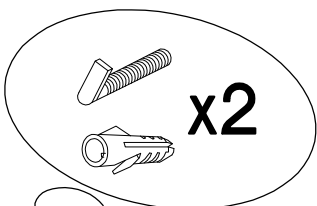


Ø10mm

B



8mm



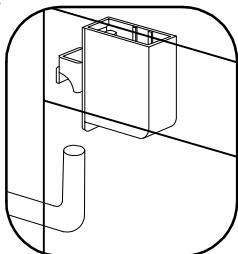
x2



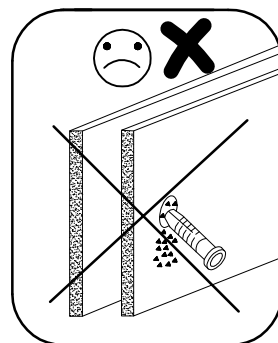
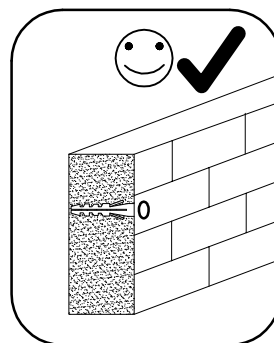
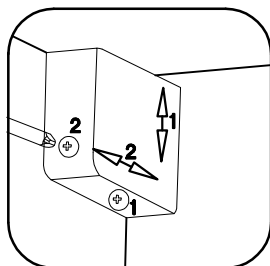
SHOP



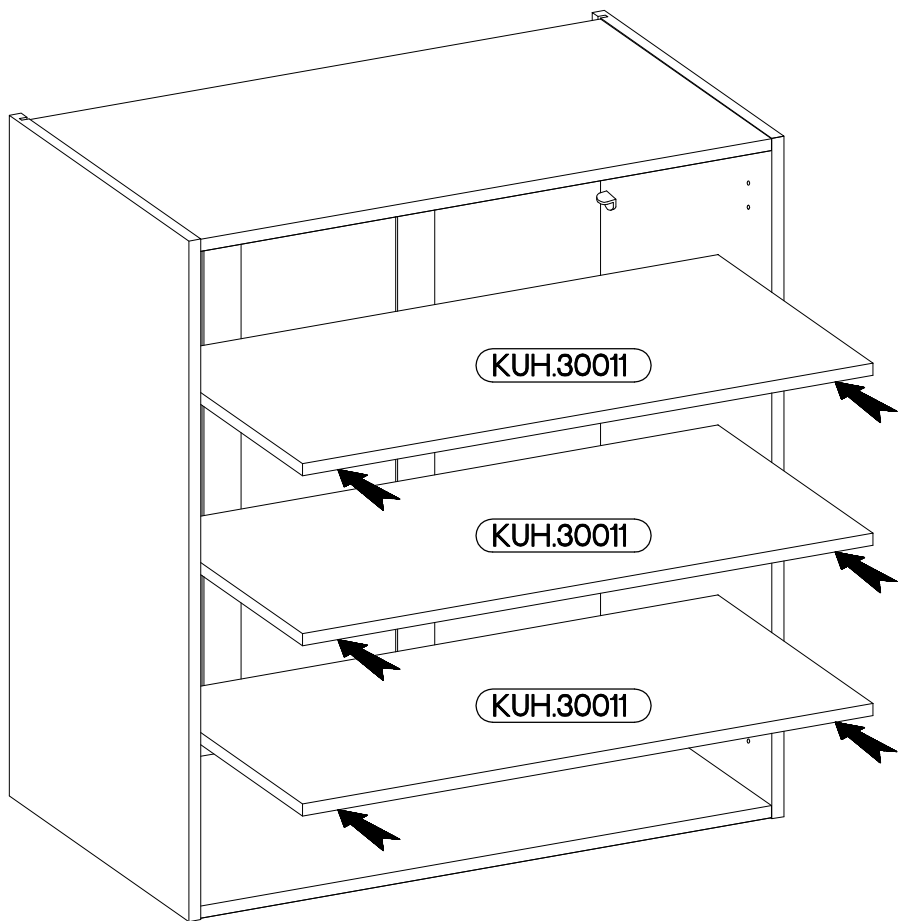
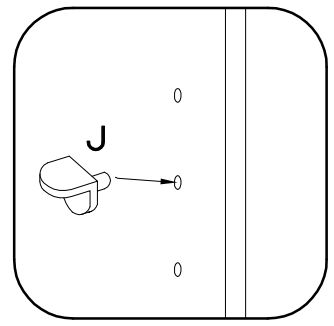
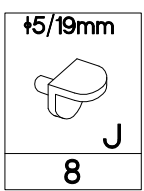
C



D

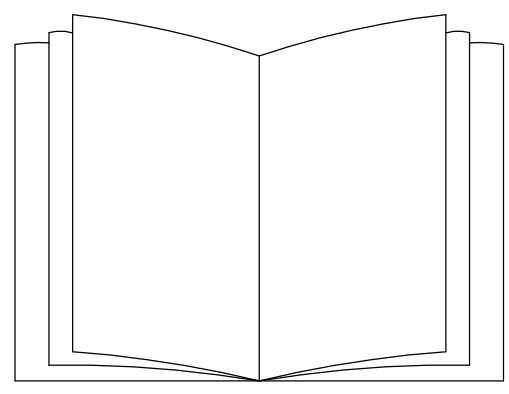
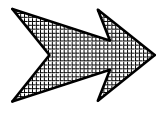
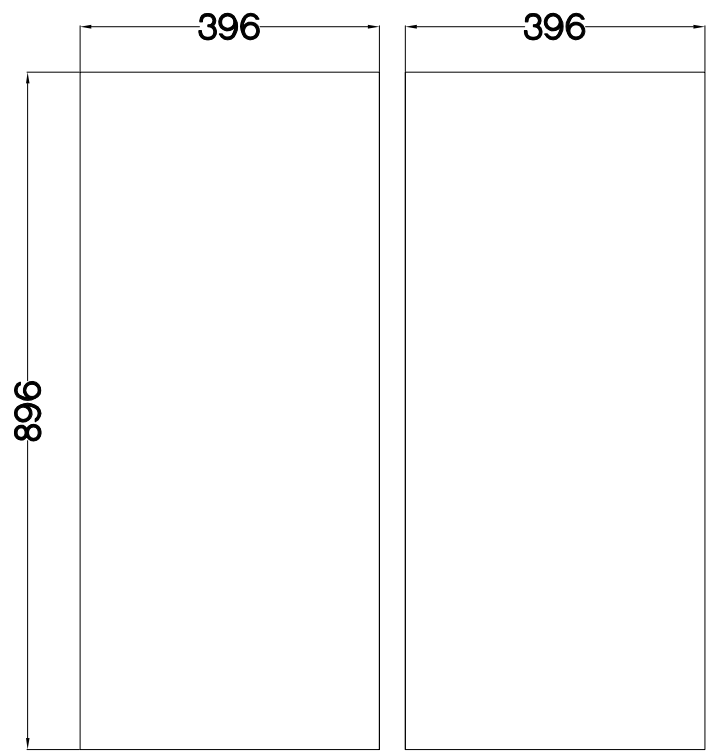


7

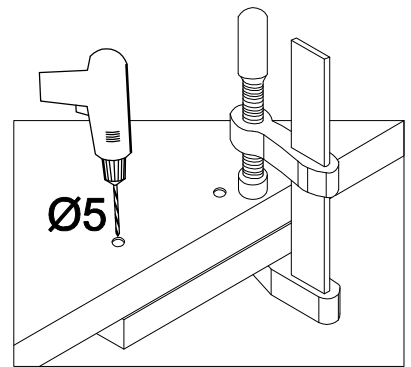
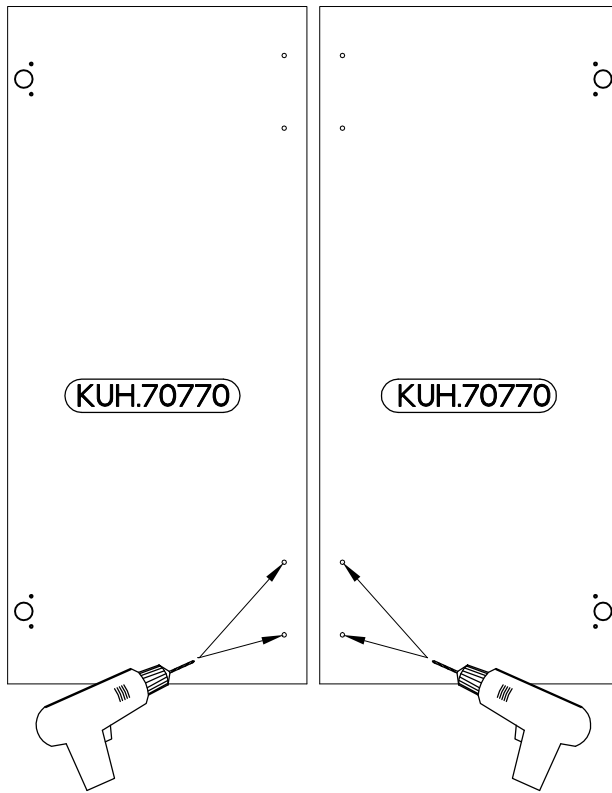
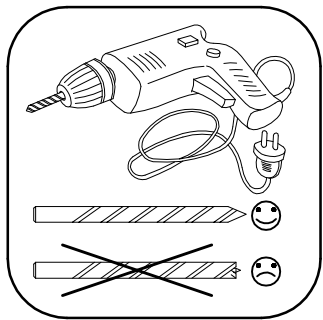


8



FRONT

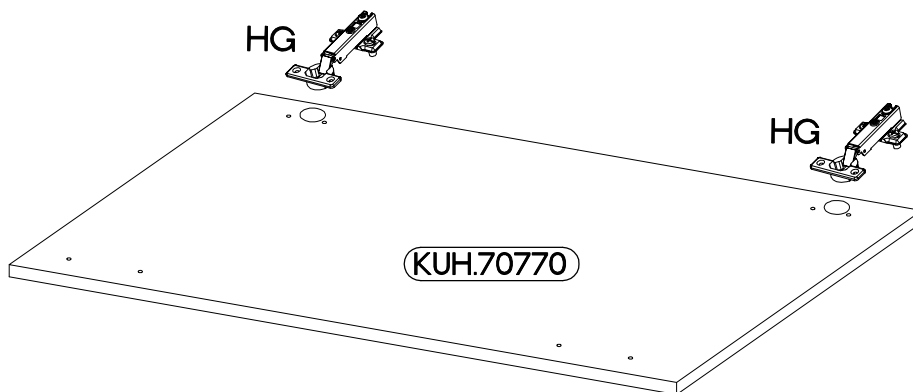
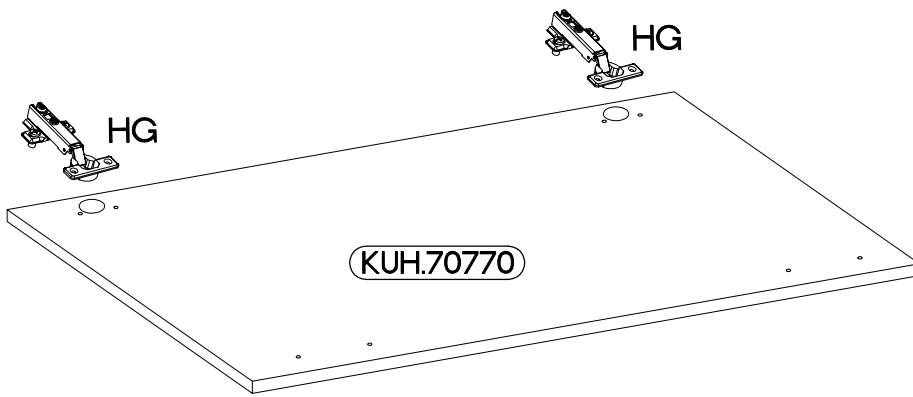
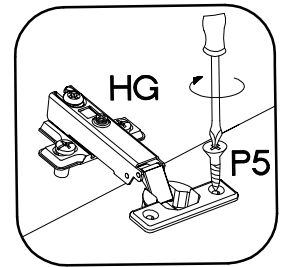


1



2

+35/0mm	+3.5x13mm
	
HG	P5
4	8



3

M4x22mm



U

4



S

2

