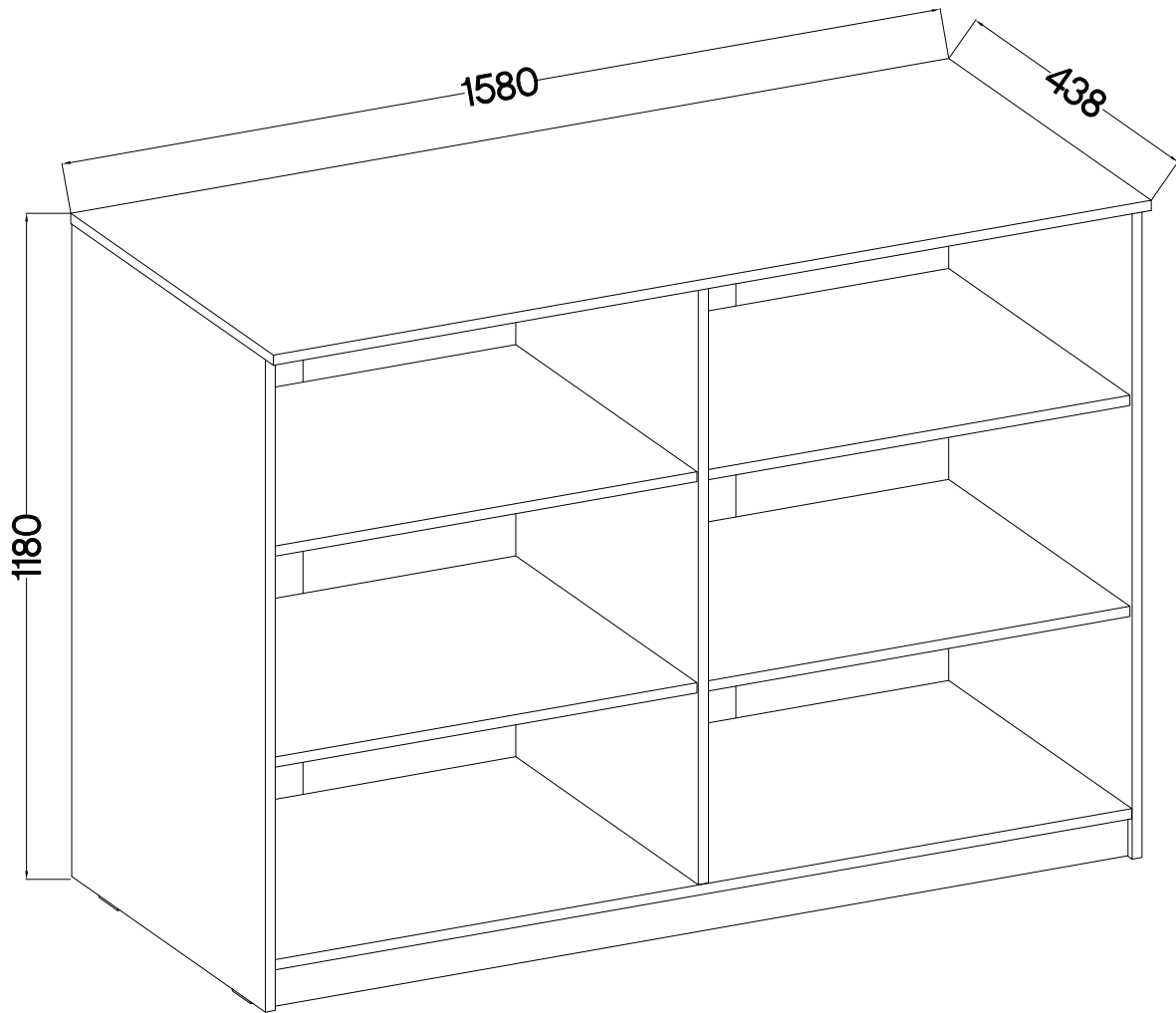
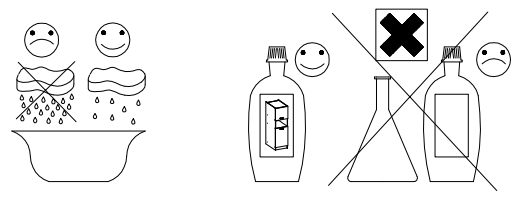
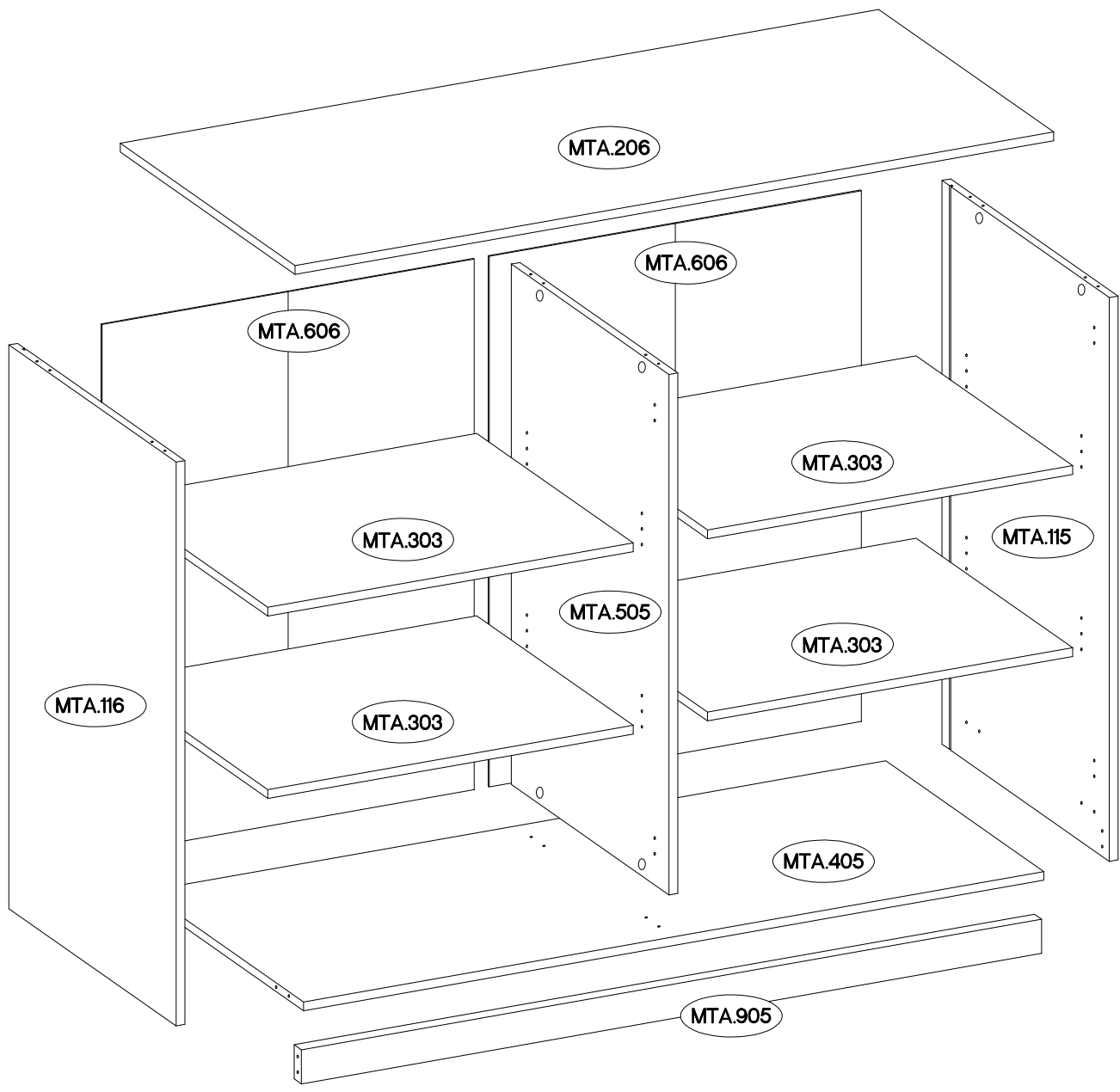


# MALTA TYP 840

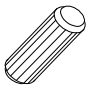
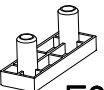







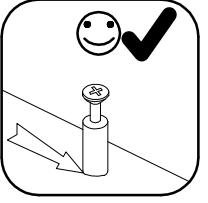
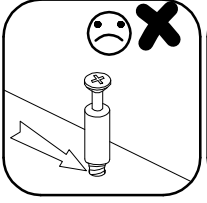
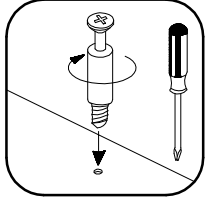
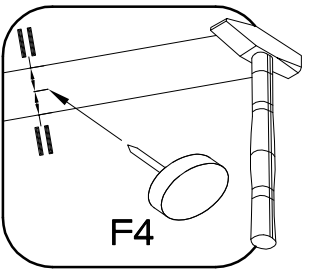
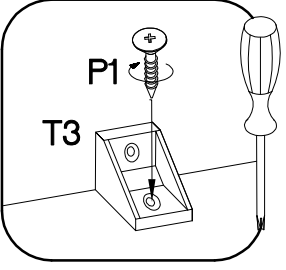
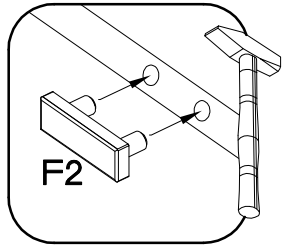
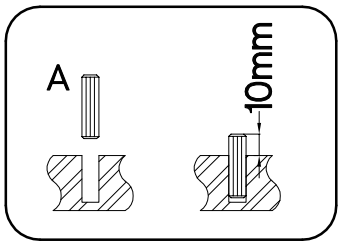
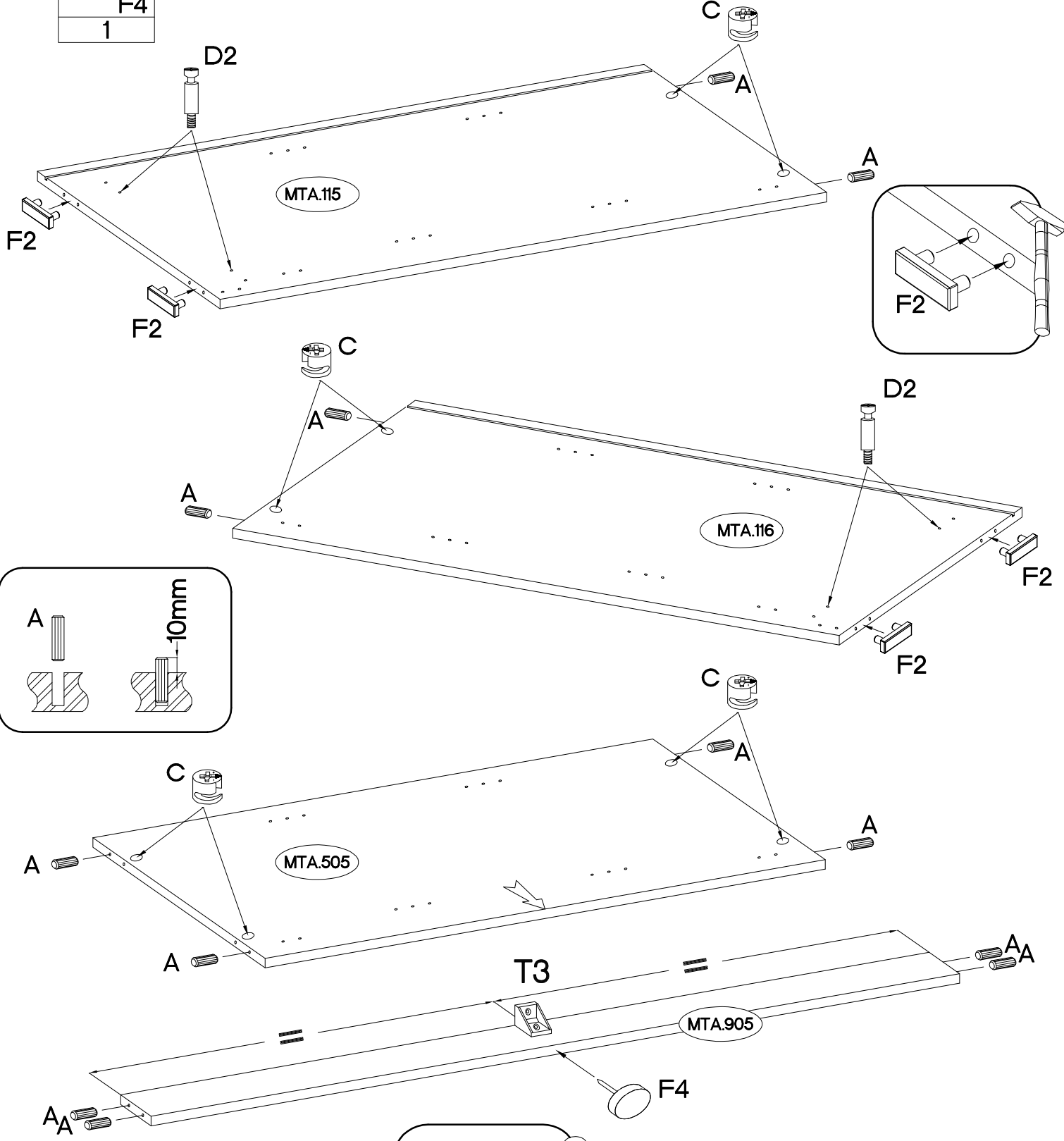
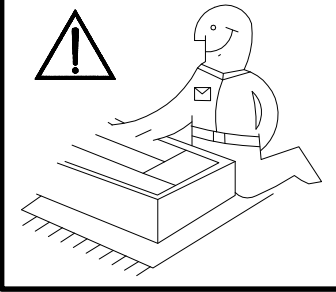
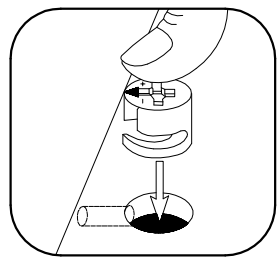
 <b>A</b> 16	 <b>C</b> 12	 <b>E11</b> 8	 <b>E</b> 8	 <b>F2</b> 4	 <b>F4</b> 1	 <b>J3</b> 16	 <b>L</b> 12	 <b>L2</b> 6	 <b>L9</b> 2	 <b>M10</b> 2	 <b>O7</b> 2	 <b>P1</b> 2	 <b>P5</b> 2	 <b>P7</b> 16	 <b>T3</b> 1
--------------------	--------------------	---------------------	-------------------	--------------------	--------------------	---------------------	--------------------	--------------------	--------------------	---------------------	--------------------	--------------------	--------------------	---------------------	--------------------



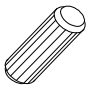


MTA.303

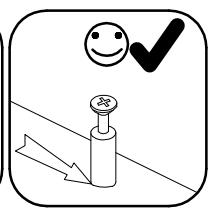
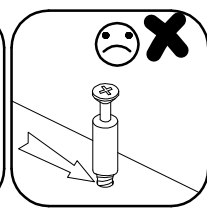
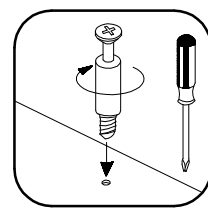
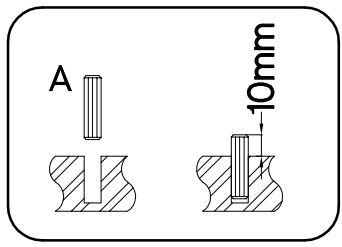
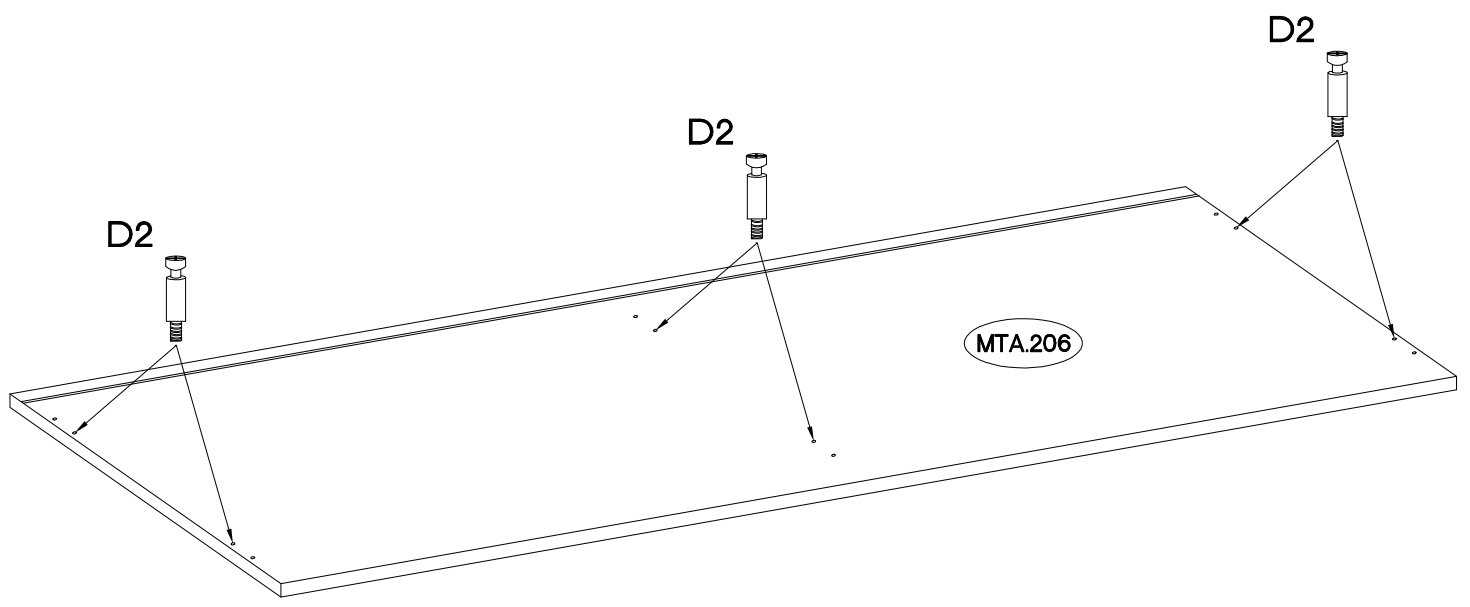
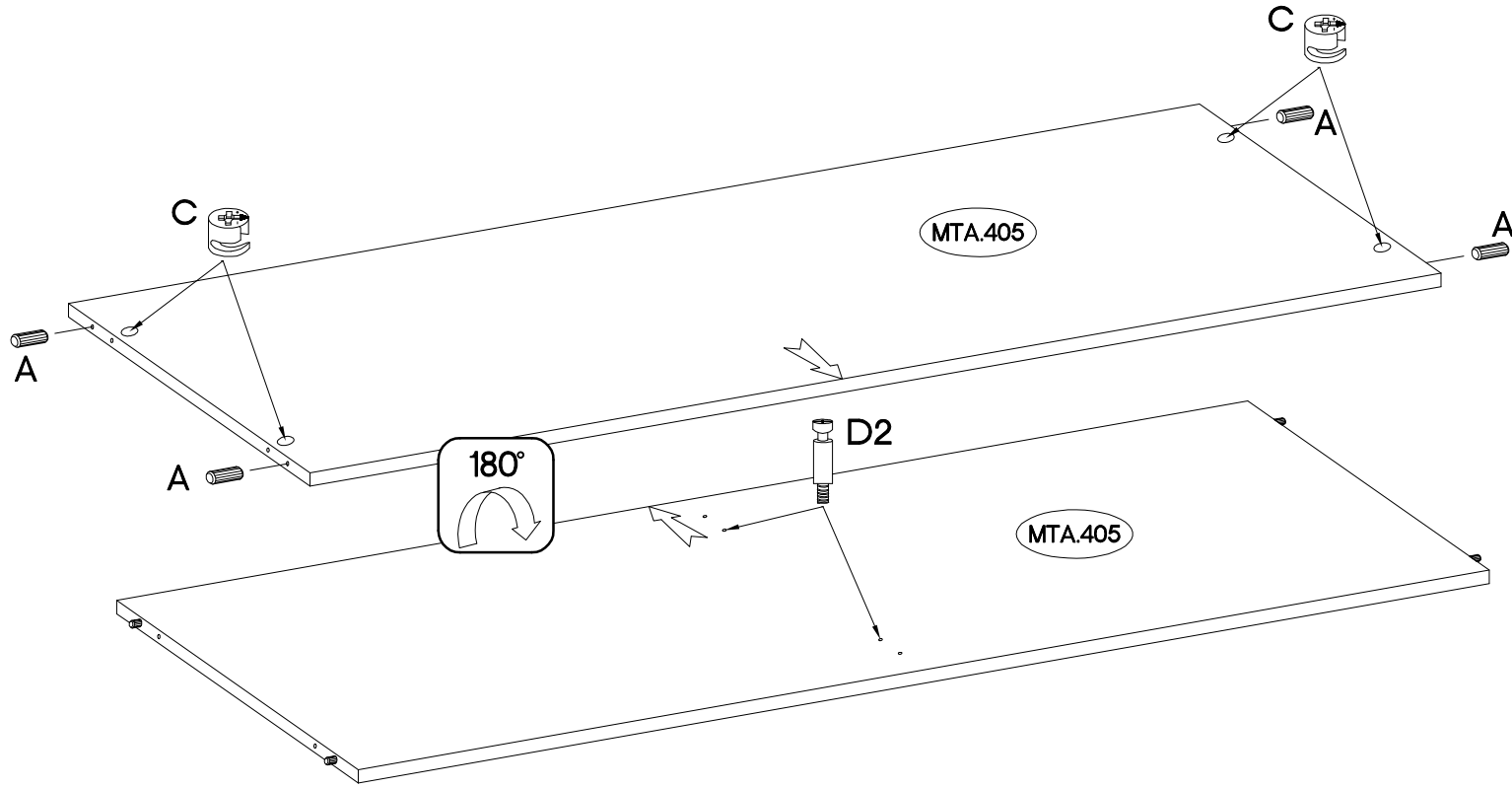
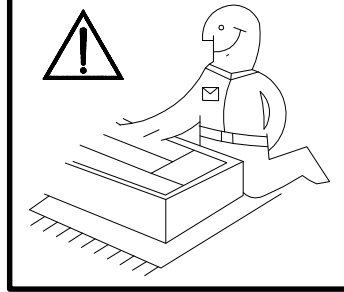
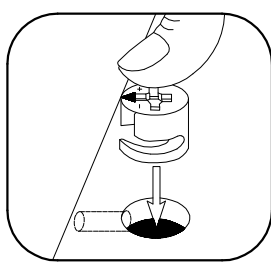
Ersatzteil Nummer	Dimension
MTA.115	1157x419x18
MTA.116	1157x419x18
MTA.206	1580x38x18
MTA.303 x4	761x392x18
MTA.405	1542x396x18
MTA.505	1068x395x18
MTA.905	1542x70x18
MTA.606 x2	1089x775x2,5
MTA.709 x4	1081x395x16

$\varnothing 8 \times 30 \text{mm}$  A 12	$6.5 \times 48 \times 16$  F2 4	$L=20 \text{mm}$  D2 4	$\varnothing 15/12 \text{mm}$  C 8	 T3 1	$\varnothing 4.0 \times 16 \text{mm}$  P1 1
$\varnothing 15 \times 5 \text{mm}$  F4 1					

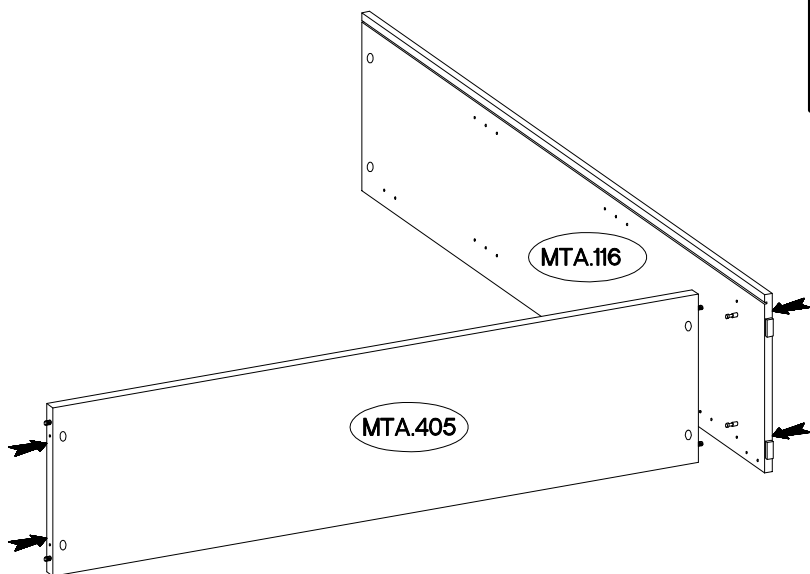
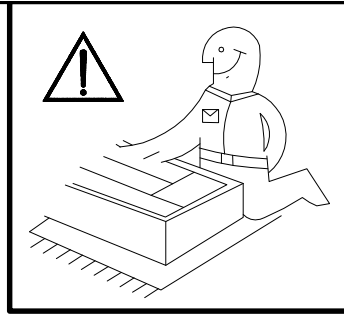


# 2

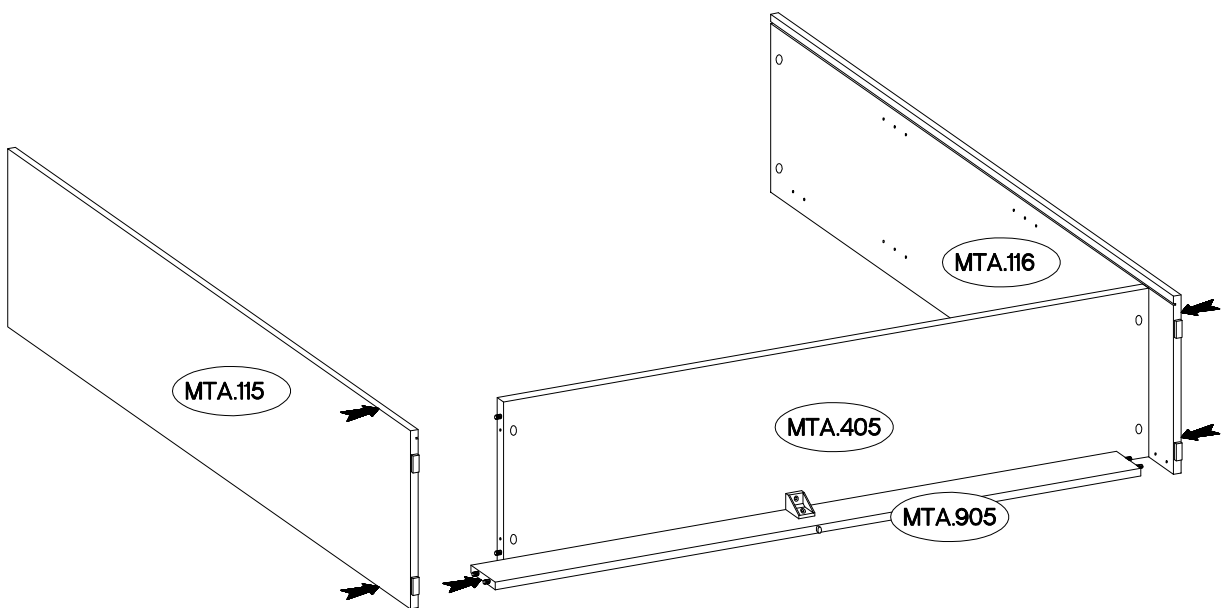
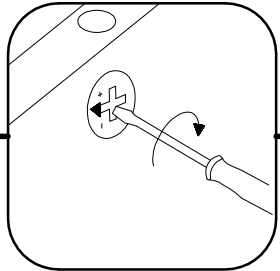
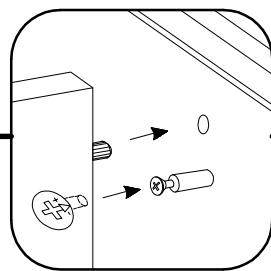
$\varnothing 8 \times 30 \text{mm}$  A 4	L=20mm  D2 8	$\varnothing 15/12 \text{mm}$  C 4
---	---	---



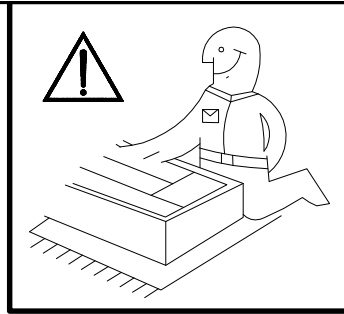
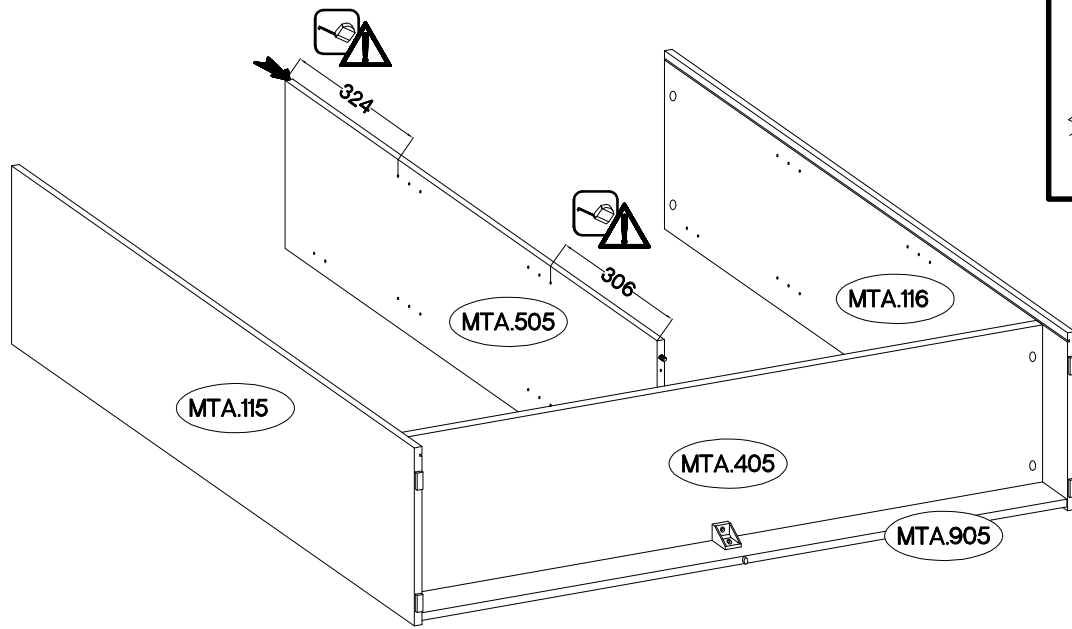
3



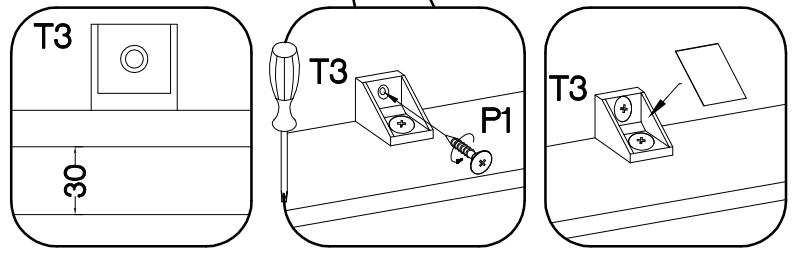
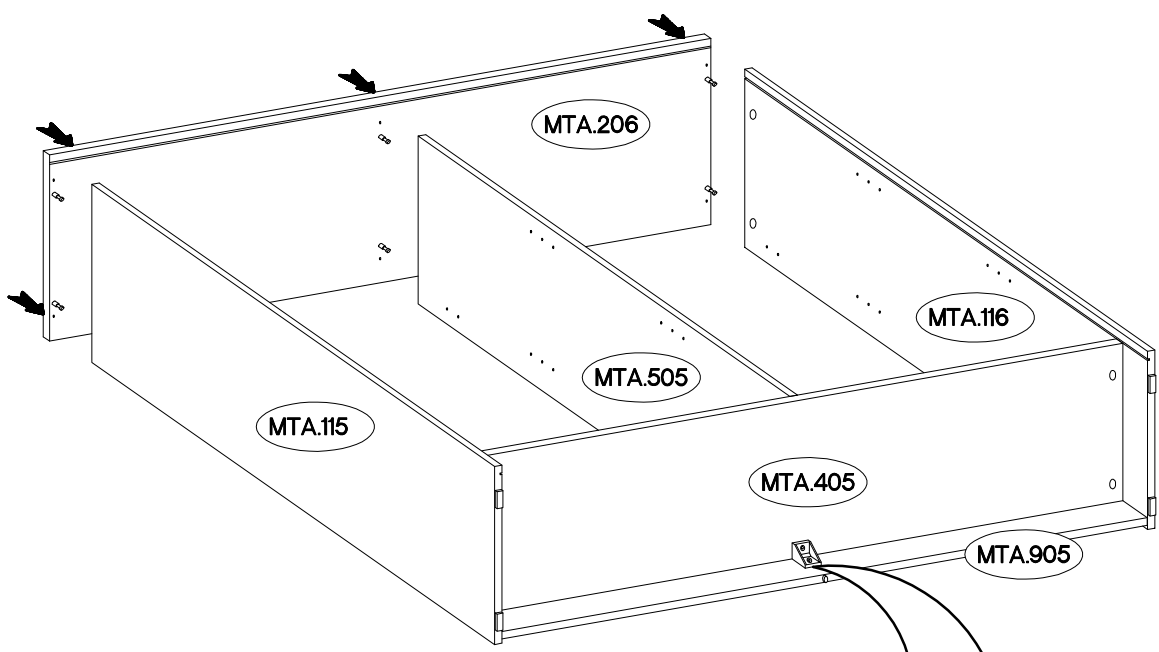
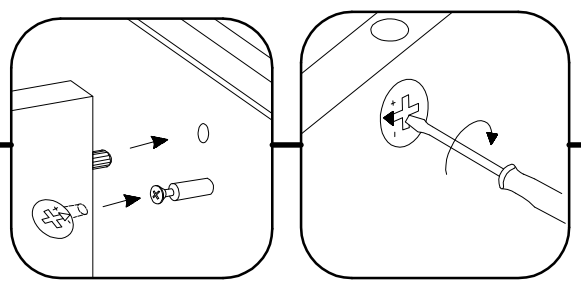
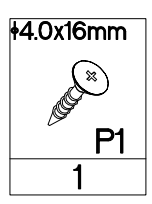
4




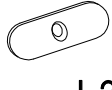
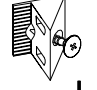
5

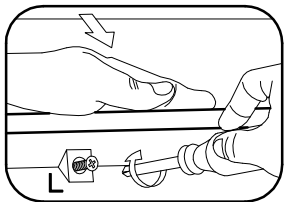
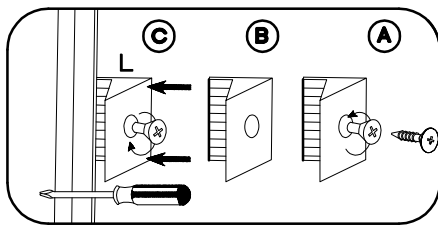
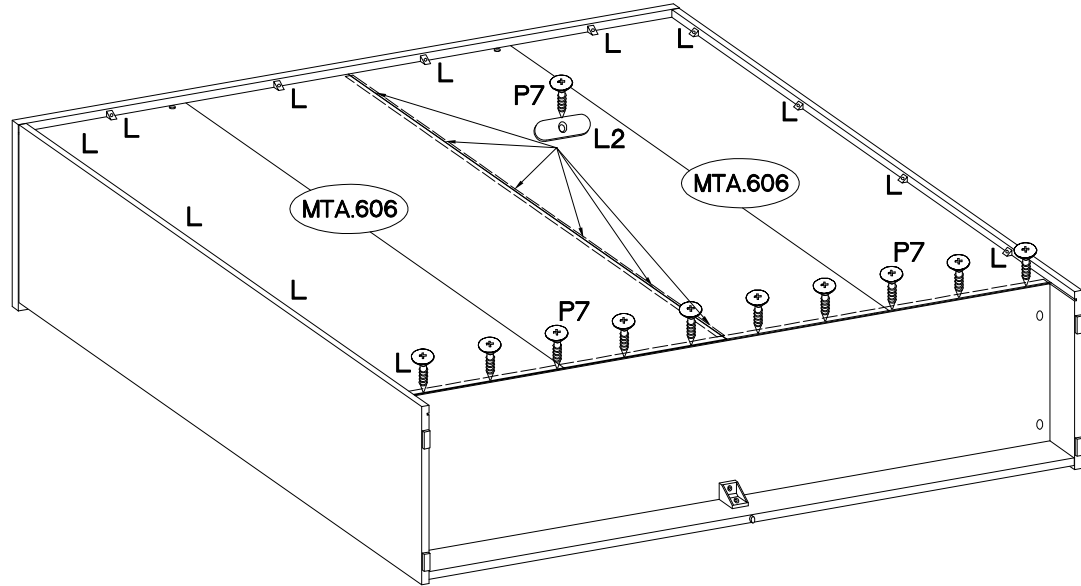
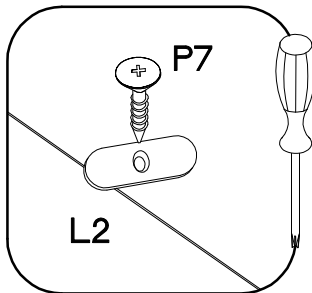
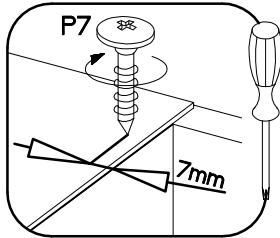
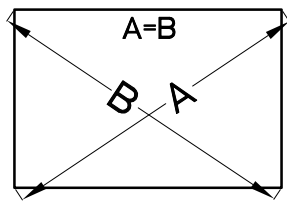
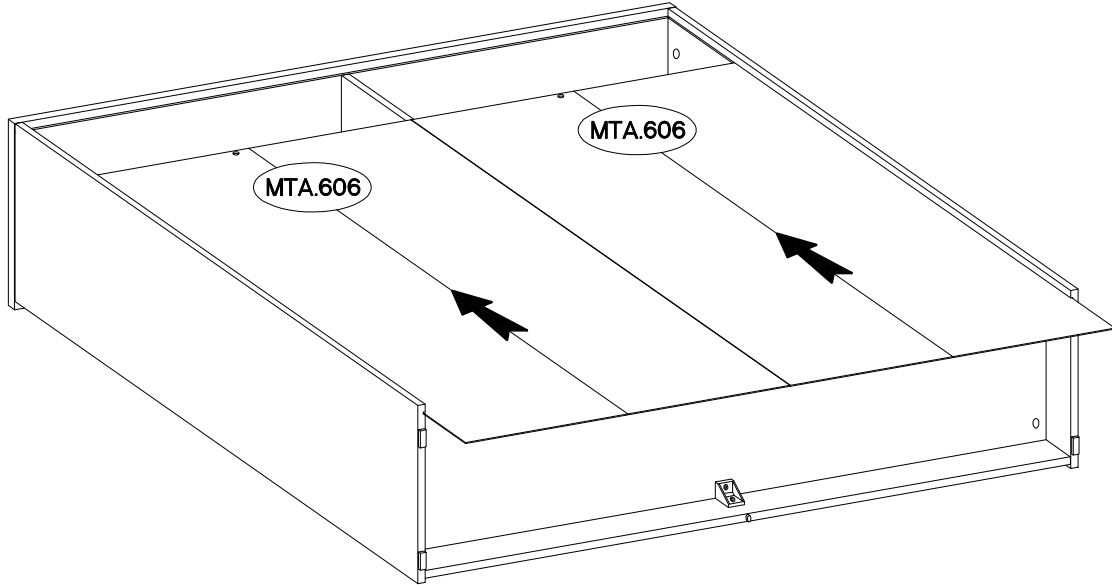
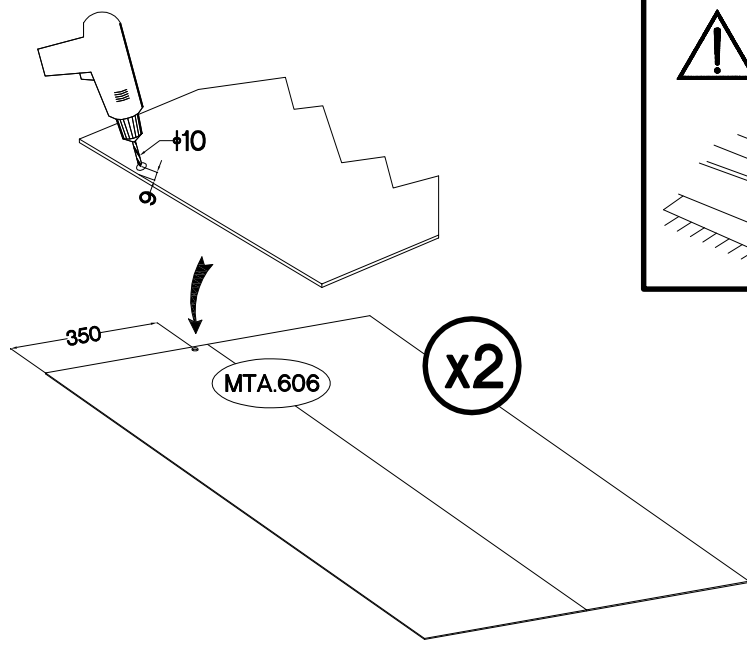
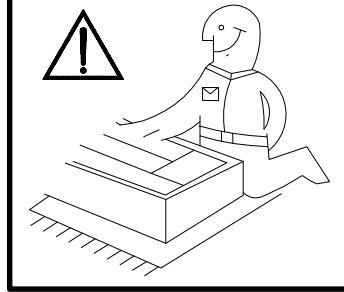





6

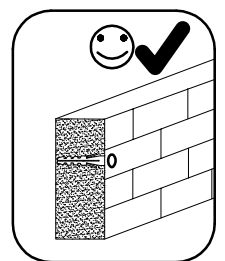
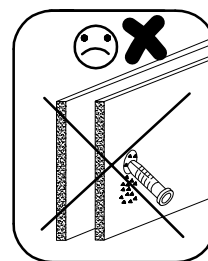
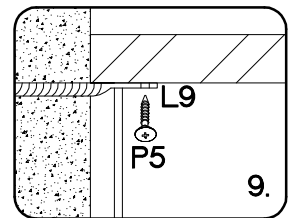
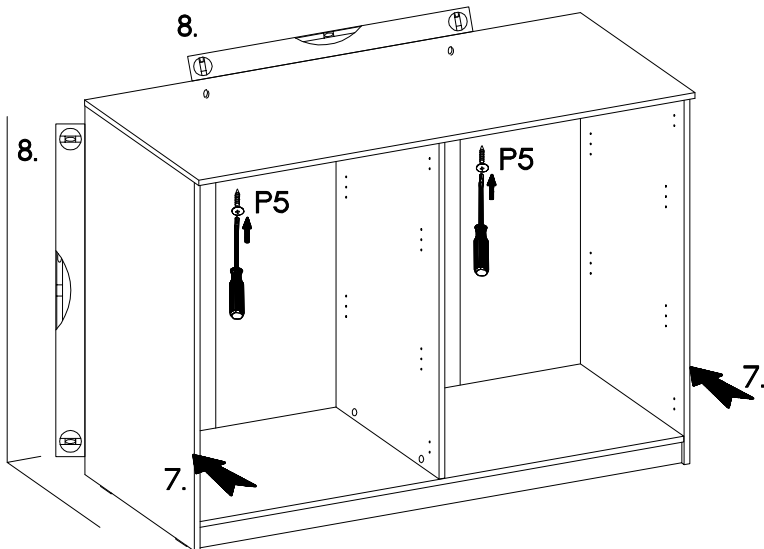
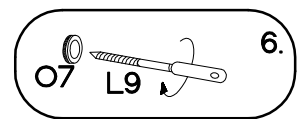
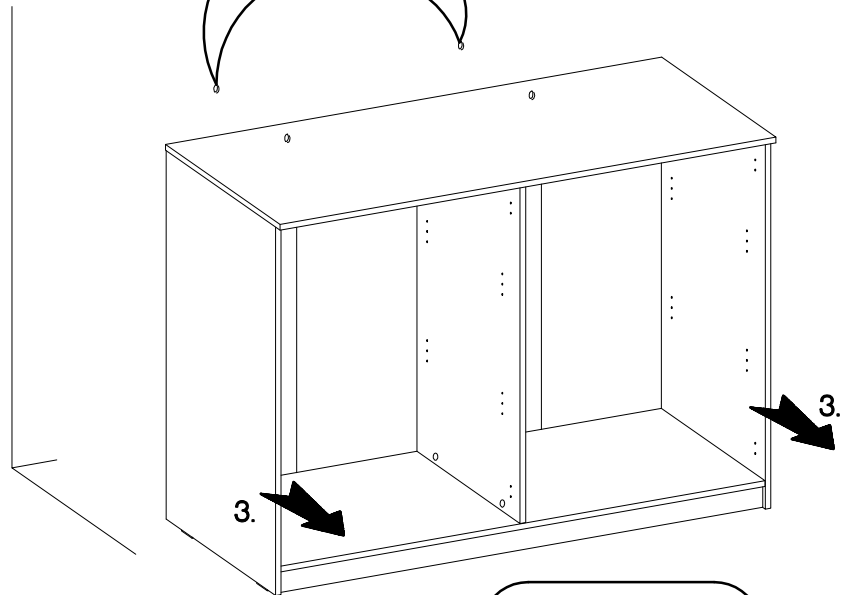
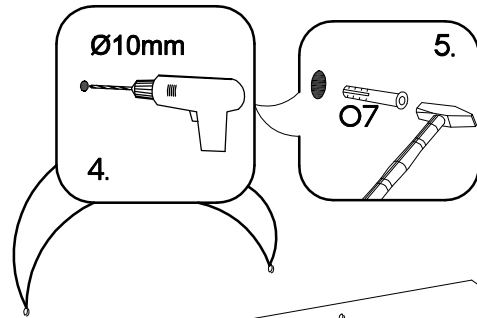
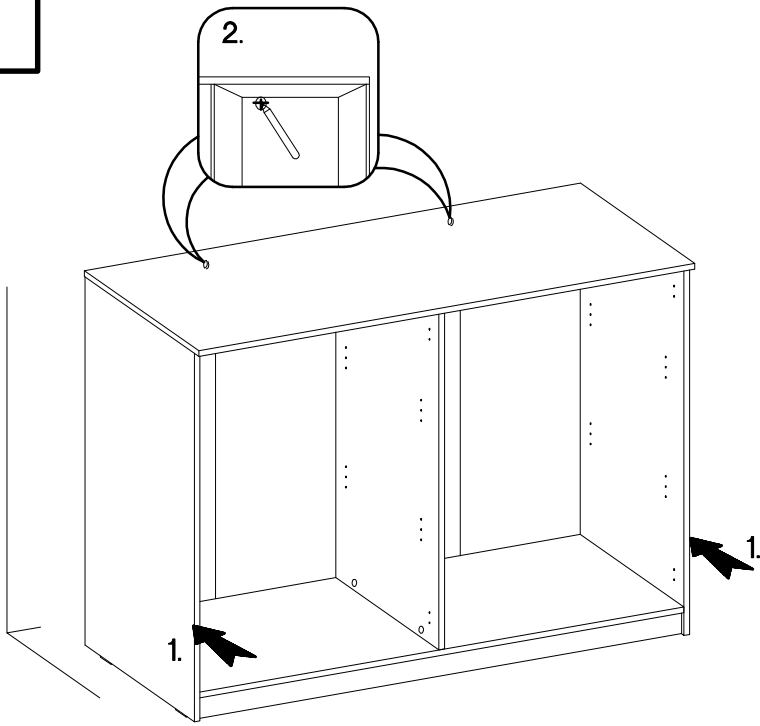


7

#3.0x20mm		
		
P7	L2	L
16	6	12

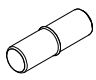
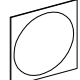


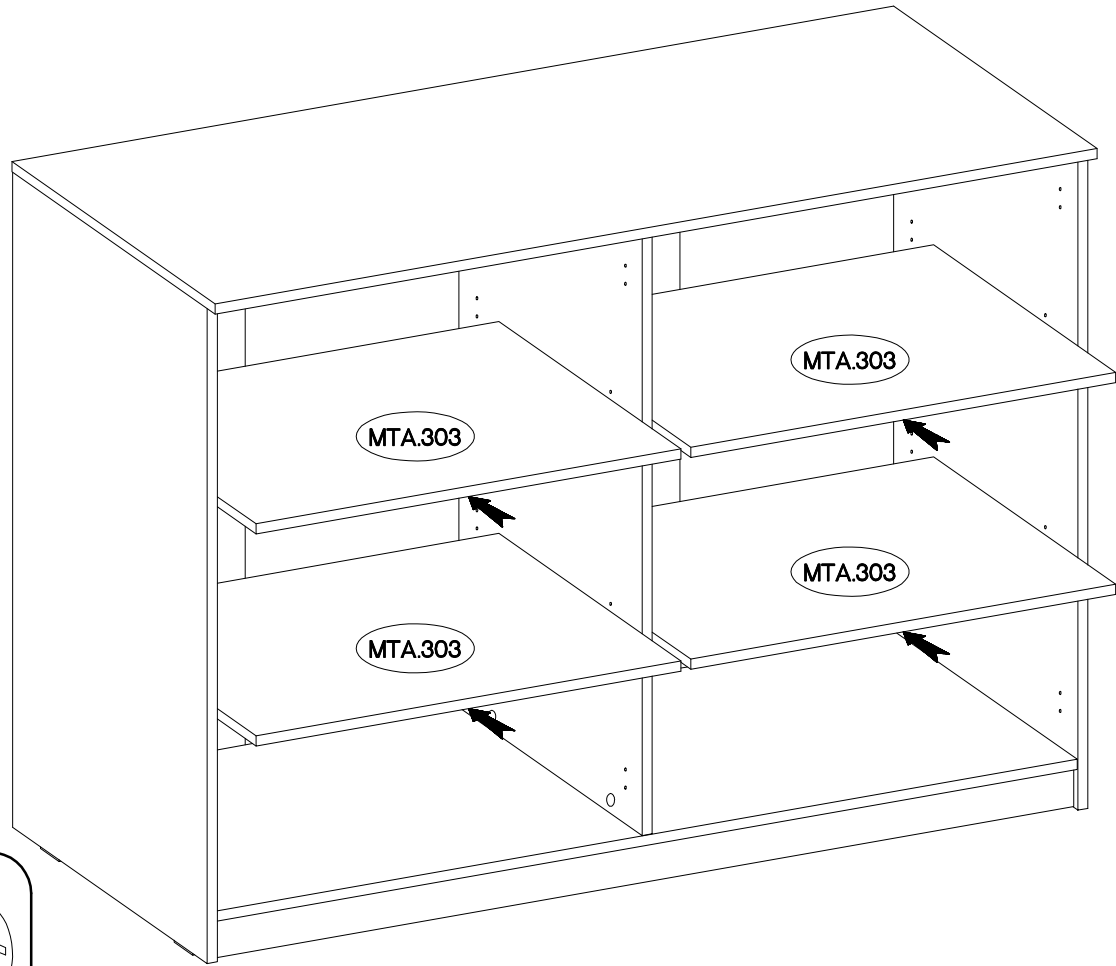
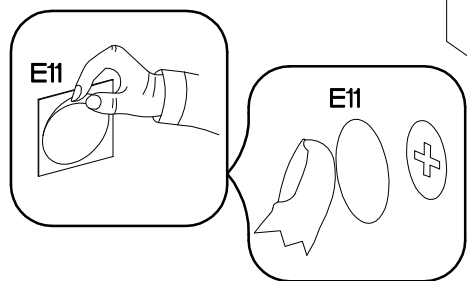
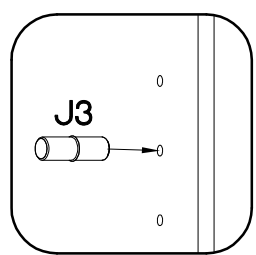
 $\pm 10 \times 50 \text{mm}$ O7 2	 L9 2	 $\pm 3.5 \times 13 \text{mm}$ P5 2
---	---	--





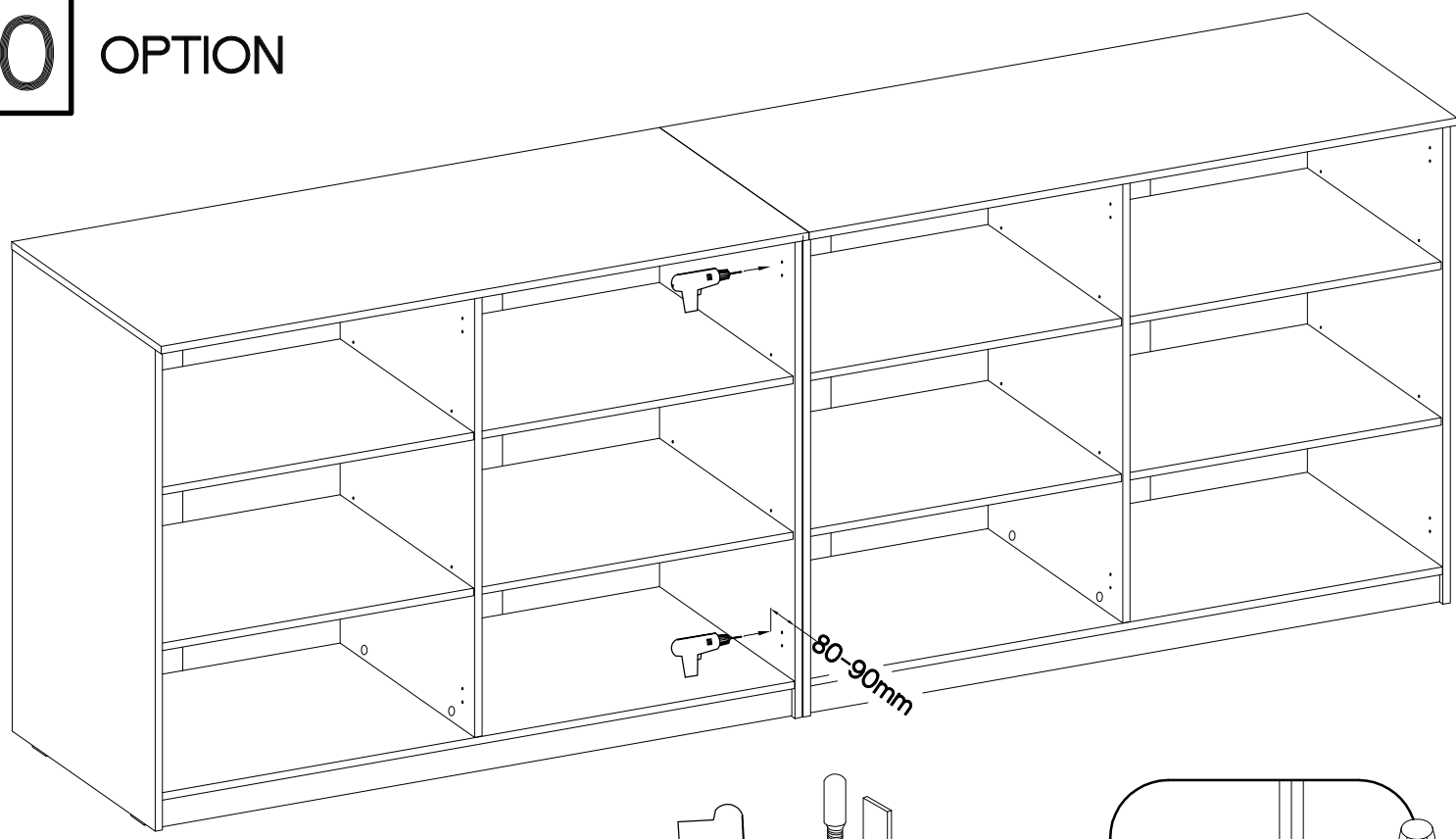
9


±5/16mm	±20
	
J3	E11
16	8



10

OPTION



±5

M10
2

