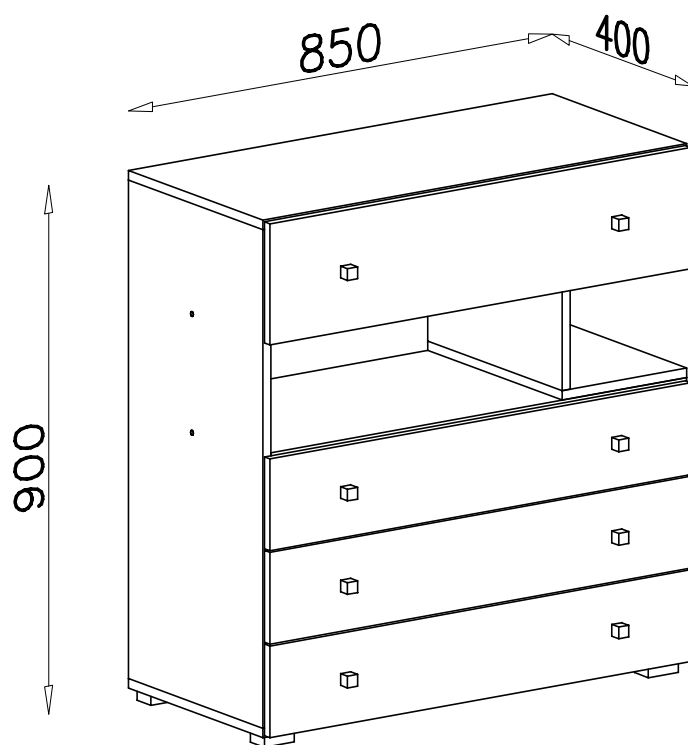
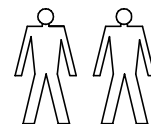
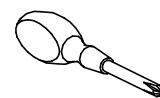
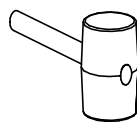
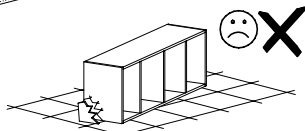
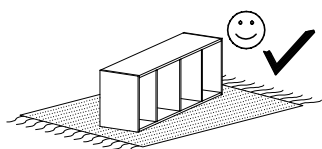


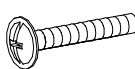
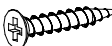
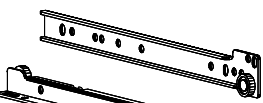
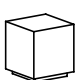
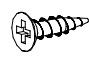
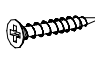
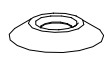


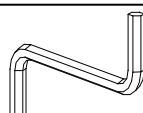
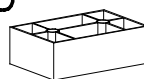

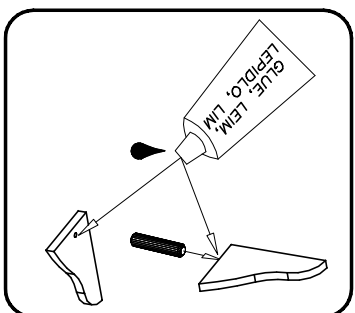
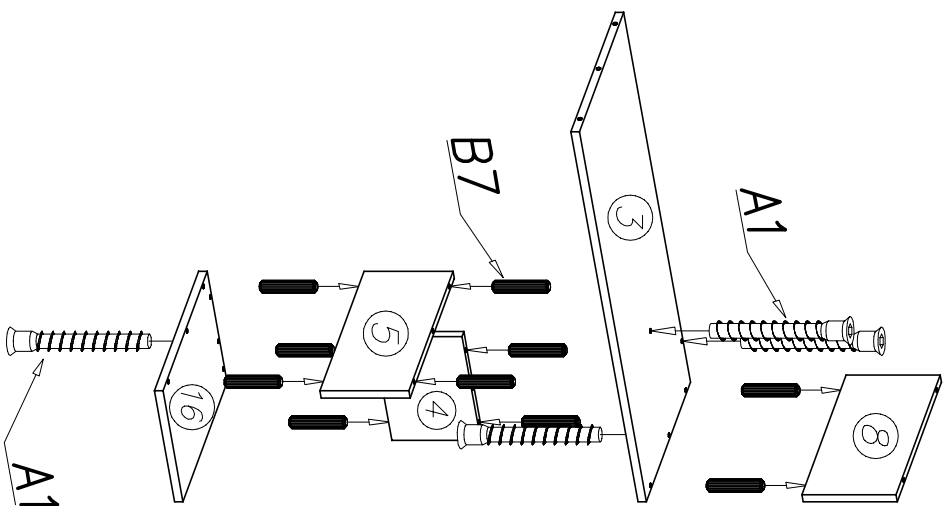


SIGMA SI11

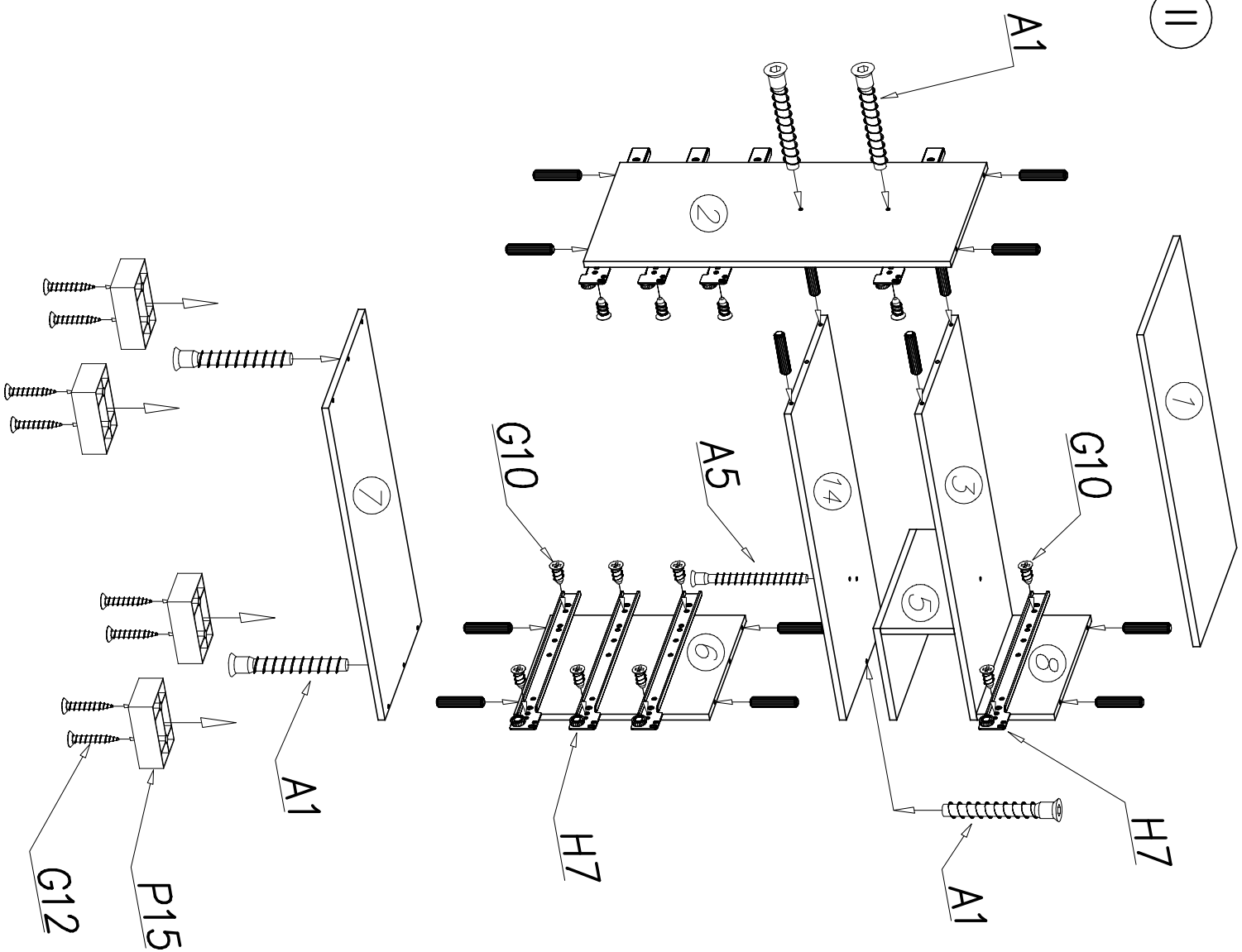


A5  $\varnothing 7 \times 60$ x1	W1  GLUE, LEIM, LEPIDLO, LIM x3	N13  $M4 \times 22$ x8	G12  $3,5 \times 25$ x8	H7  350mm x4
E38  x8	G4  4×16 x24	G2  3×20 x50	S2  x6	350mm x4
A1  $\varnothing 7 \times 50$ x9	B7  $\varnothing 8 \times 30$ x56	W2  x1	P15  x4	G10  6×13 x16

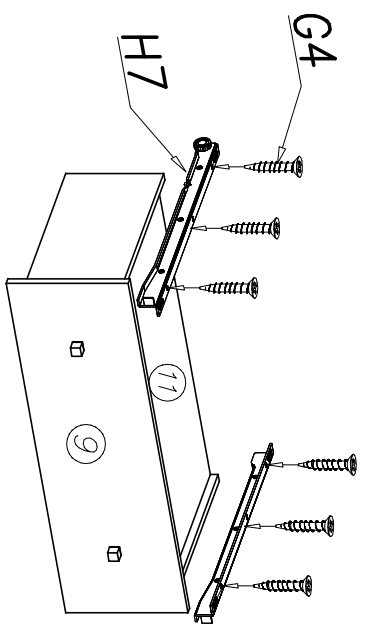
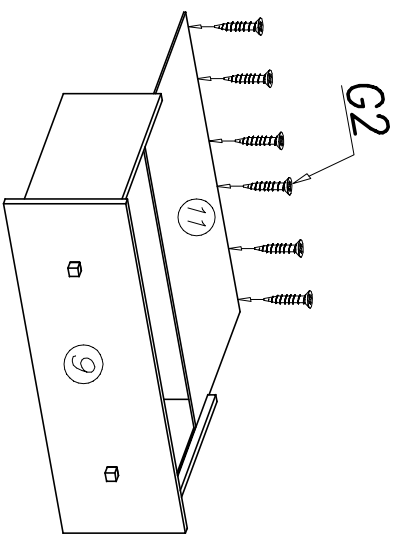
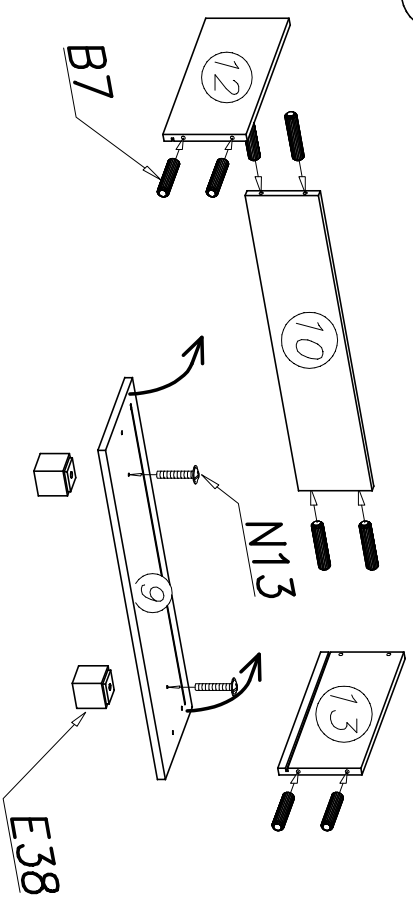
I



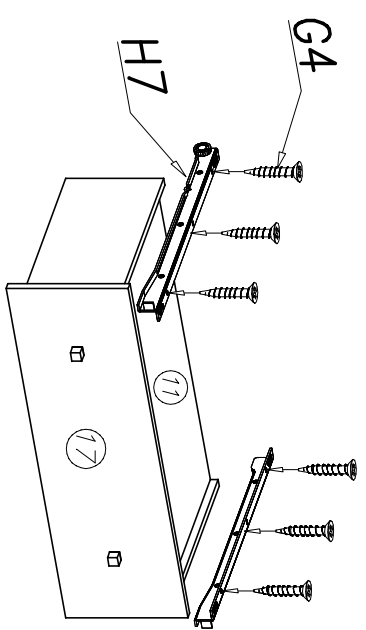
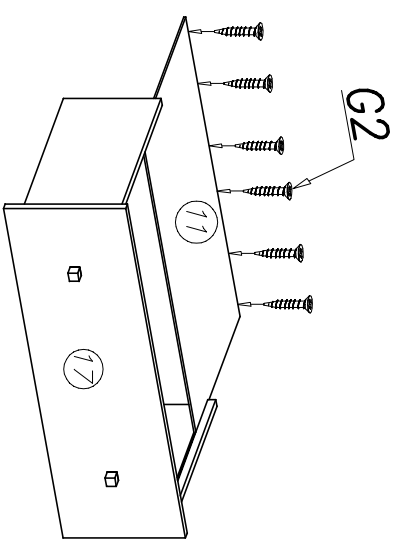
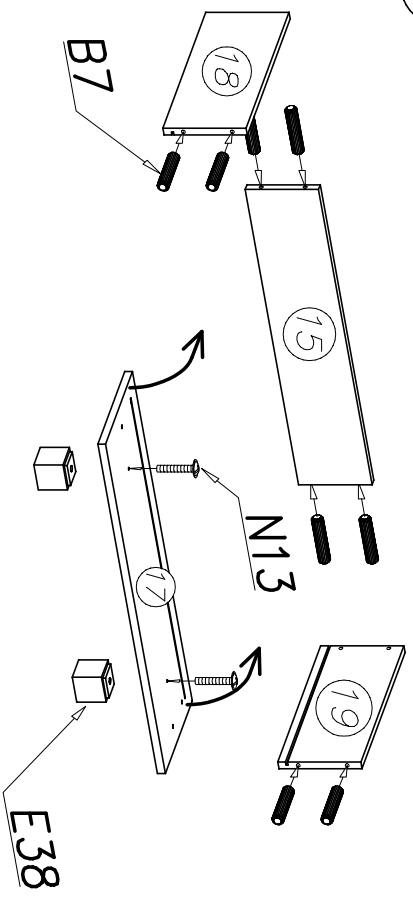
II



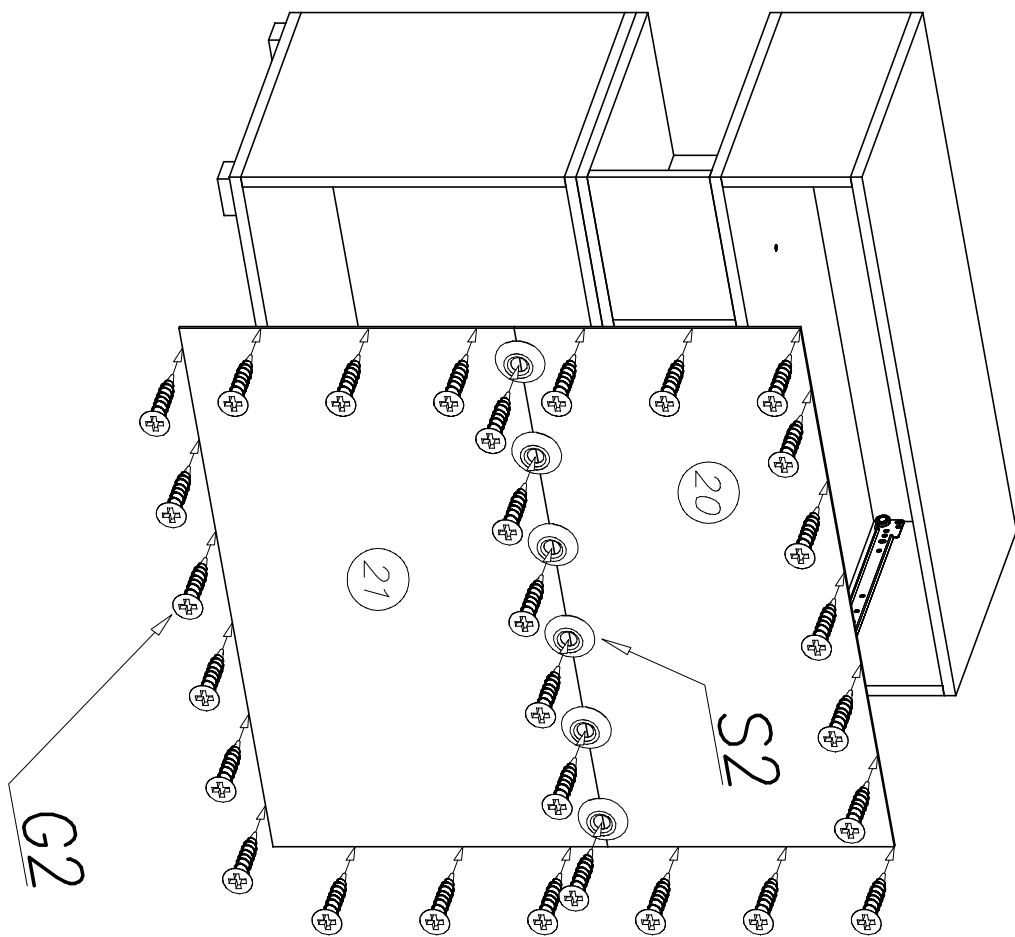
III



IV



V



VI

