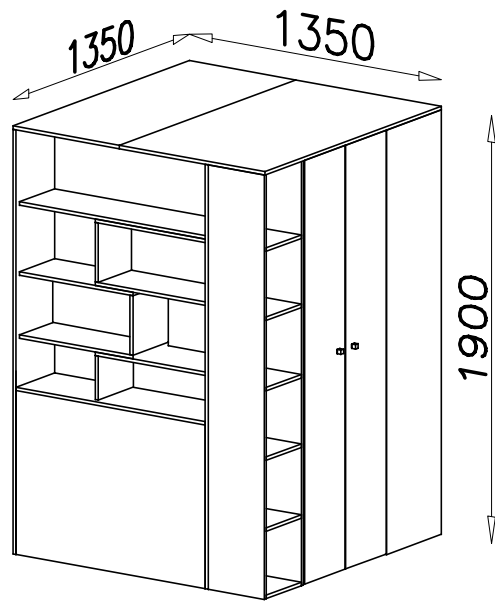
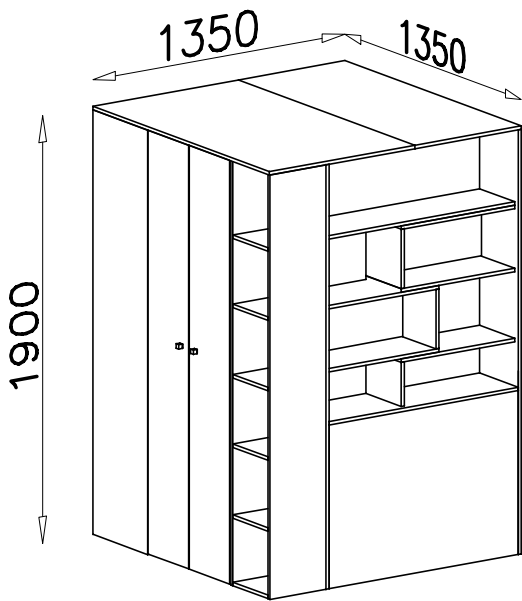
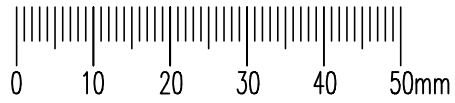
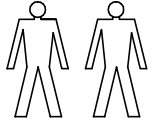
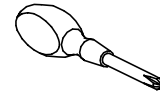
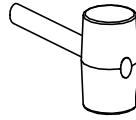
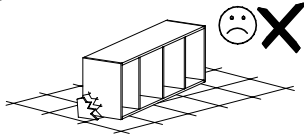
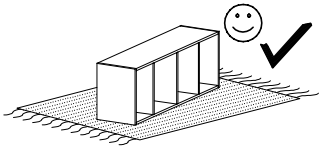


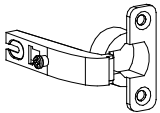
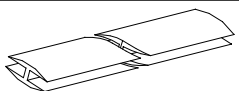

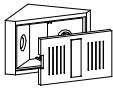



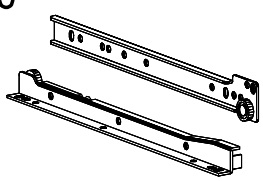

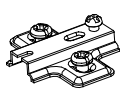
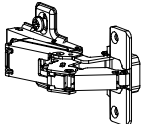
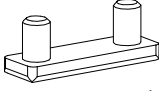
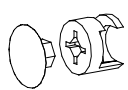


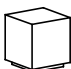
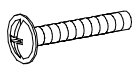
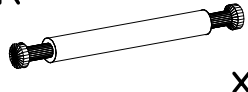


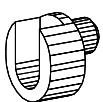
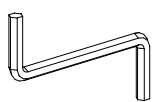

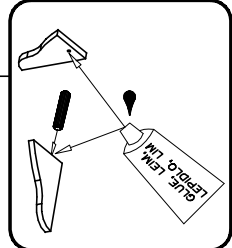
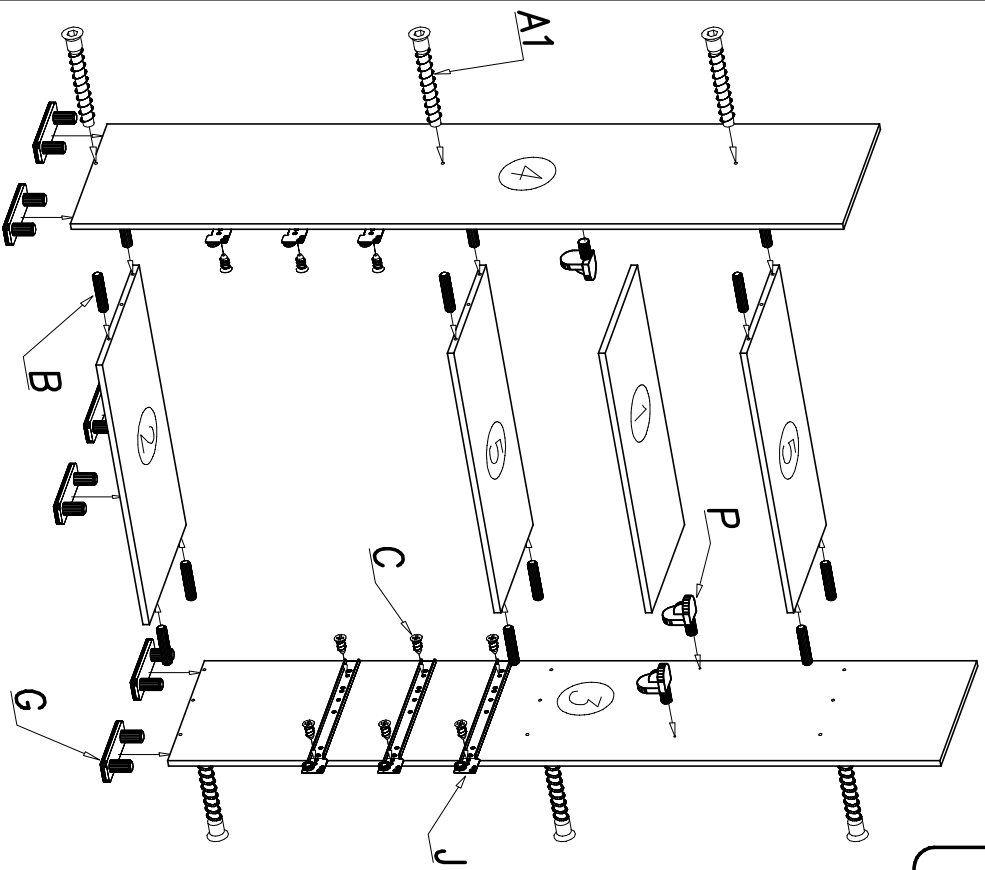


# SIGMA SI 1L/P

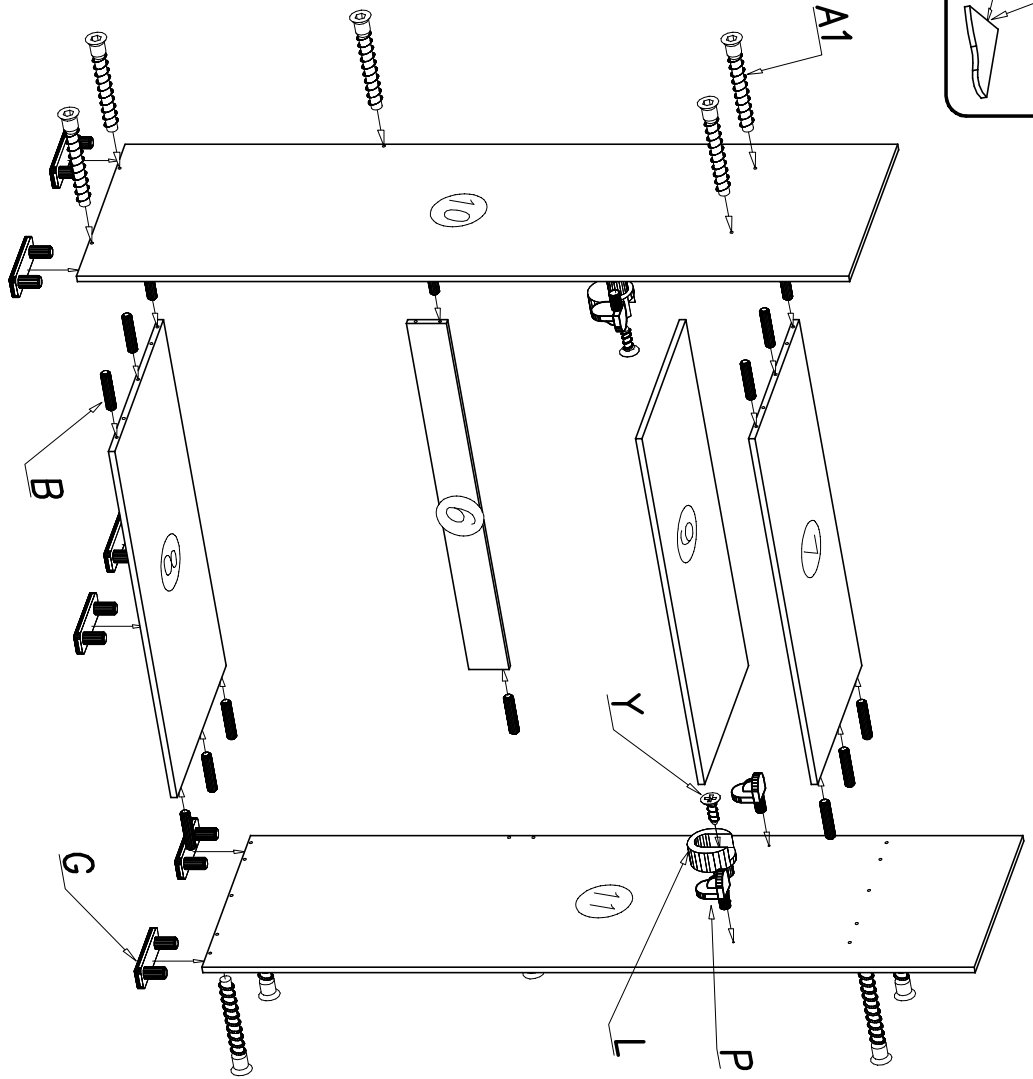


				<b>K</b>  3x16 x6
<b>A5</b>  ø7x60 x5	<b>M</b>  x3	<b>H</b>  1860mm x2	<b>X</b>  1,6x16 x45	<b>Q</b>  x1
<b>Y</b>  3x13 x2	<b>P</b>  x18	<b>T</b>  4x16 x32	<b>J</b>  35cm x3	<b>C</b>  6x13 x12
<b>F</b>  x3	<b>D</b>  x3	<b>G</b>  x22	<b>K</b>  x6	
<b>W</b>  x7	<b>E</b>  3x20 x105	<b>U</b>  x2	<b>N</b>  M4x22 x4	<b>R</b>  x3
<b>A1</b>  ø7x50 x56	<b>B</b>  x150	<b>L</b>  x2	<b>Z</b>  x1	<b>S</b>  1004mm x1

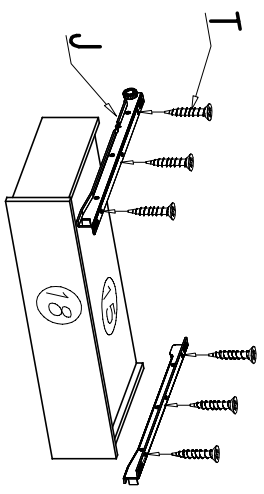
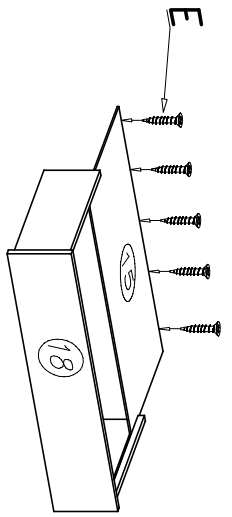
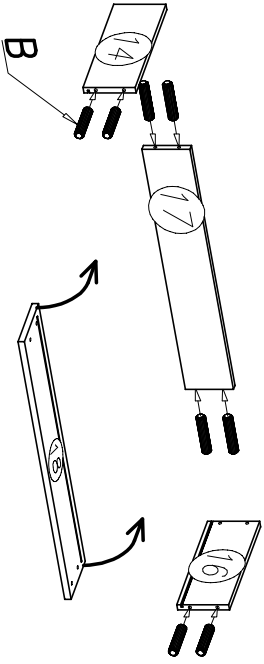
I



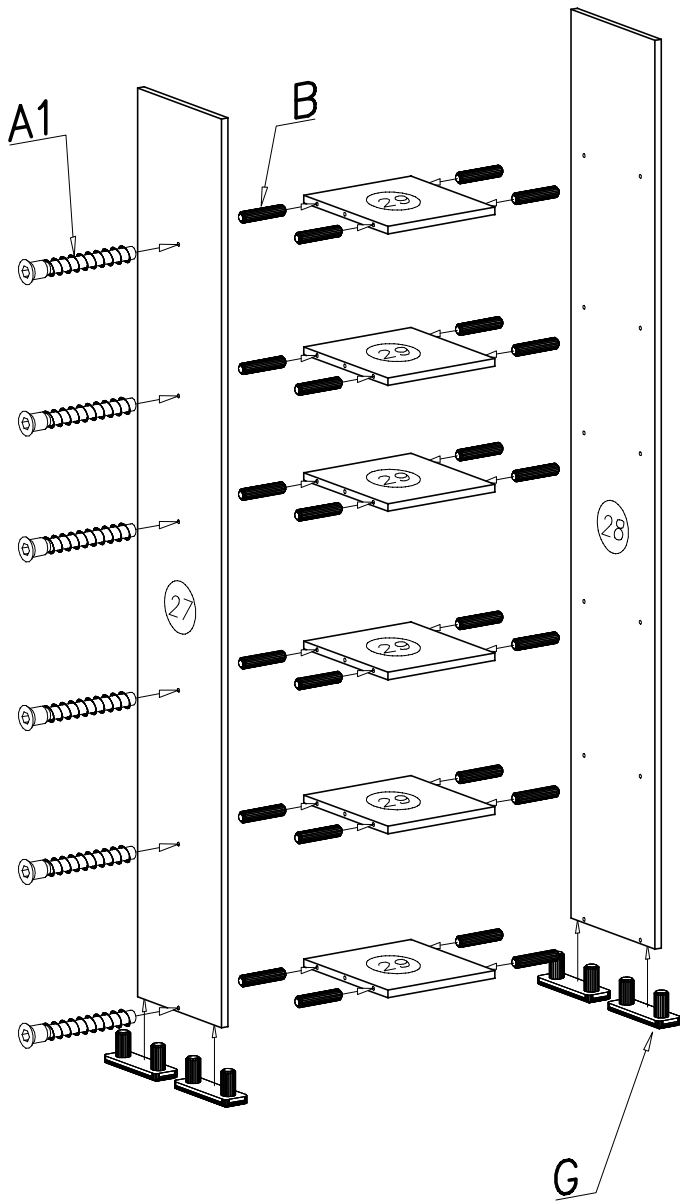
II



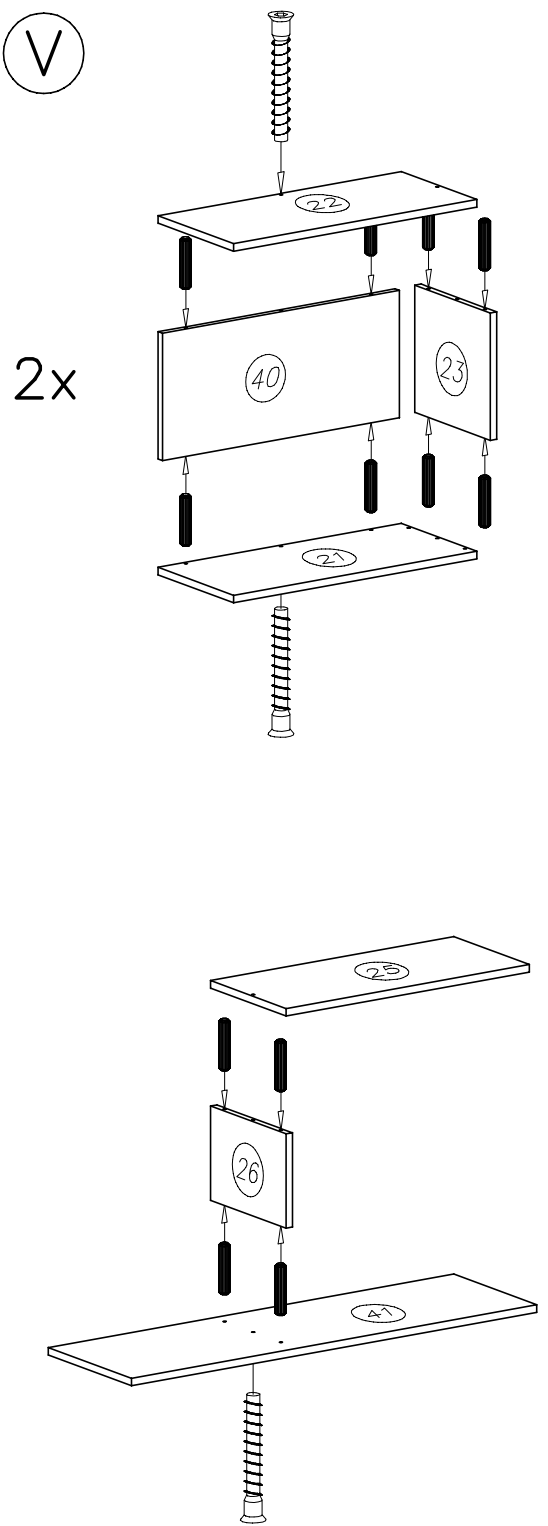
III



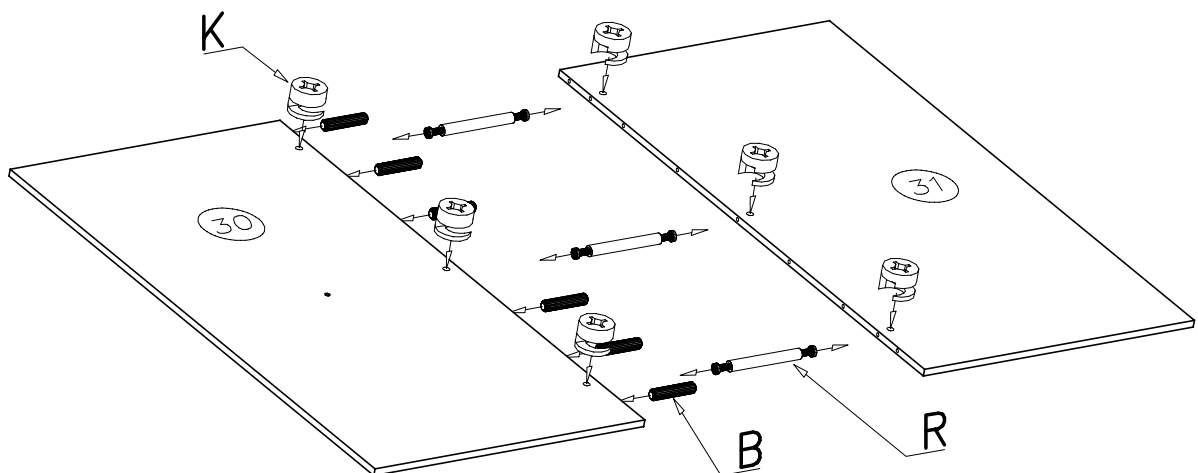
IV



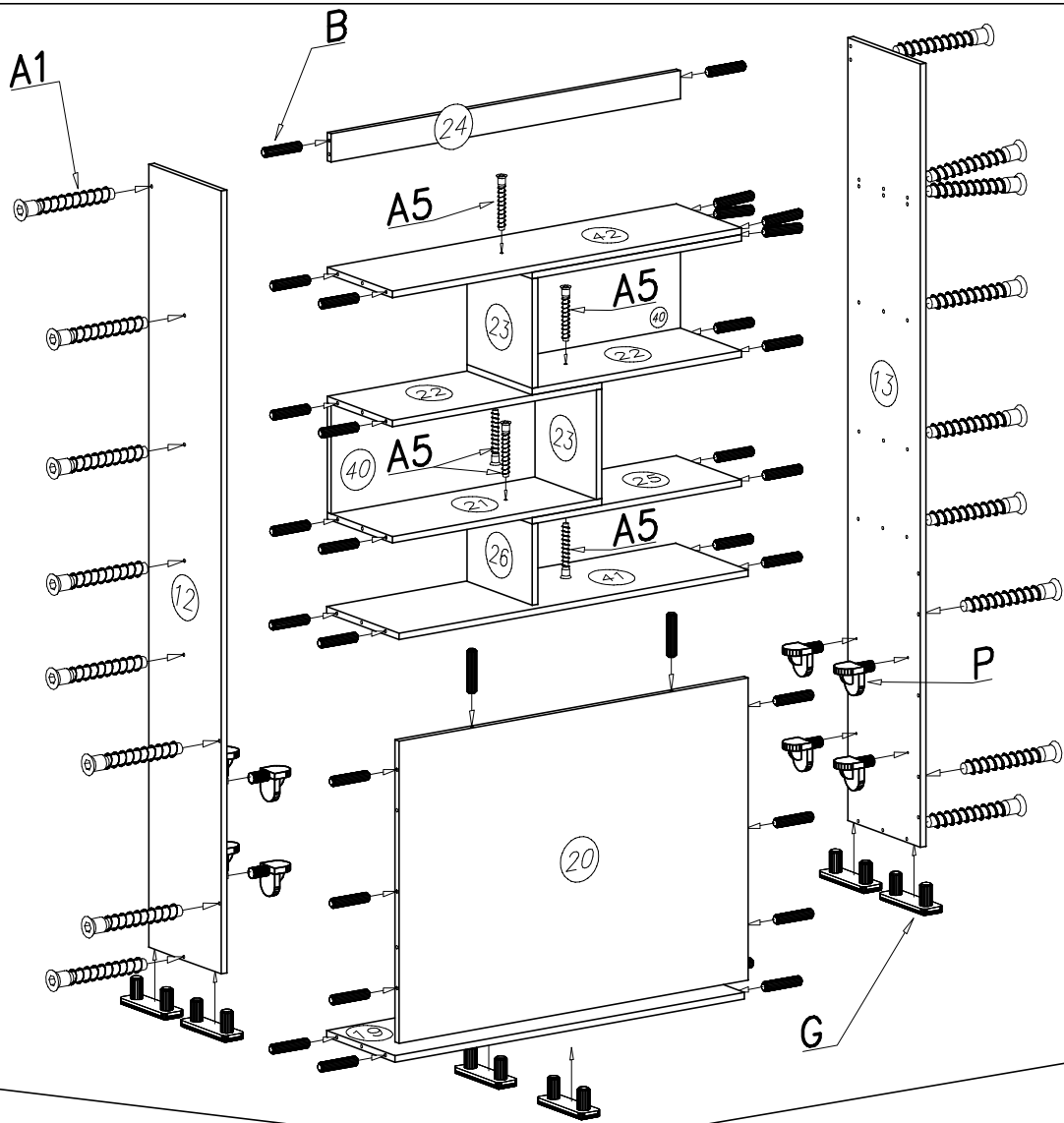
V



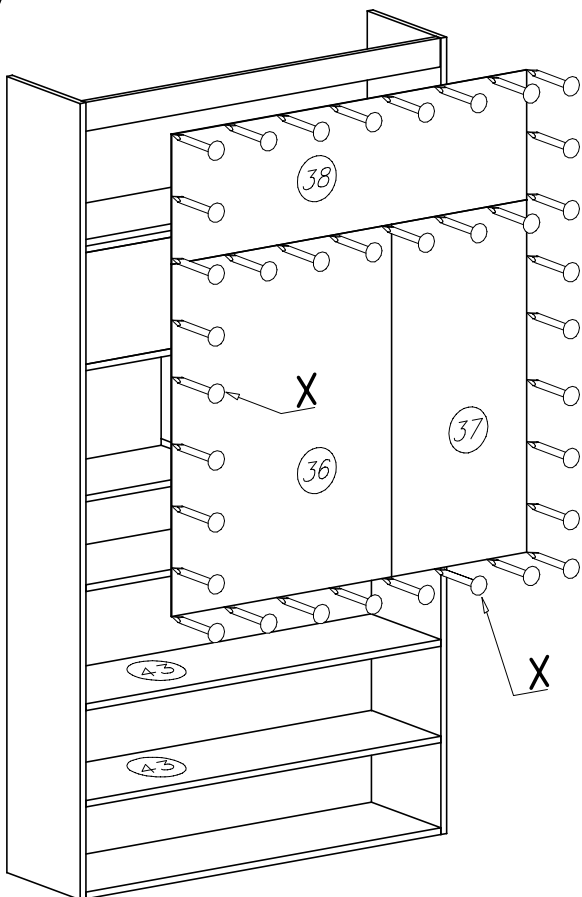
VI



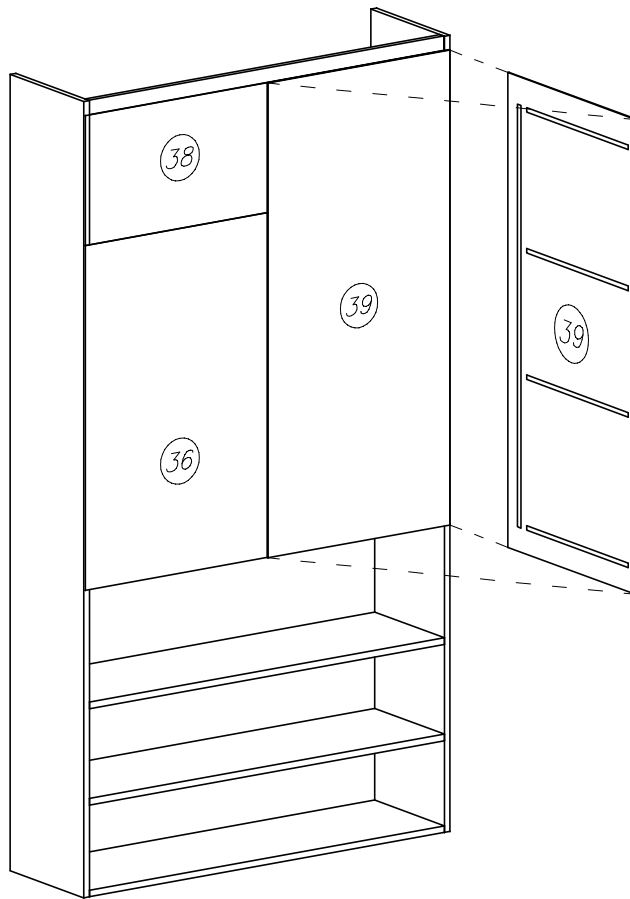
VII



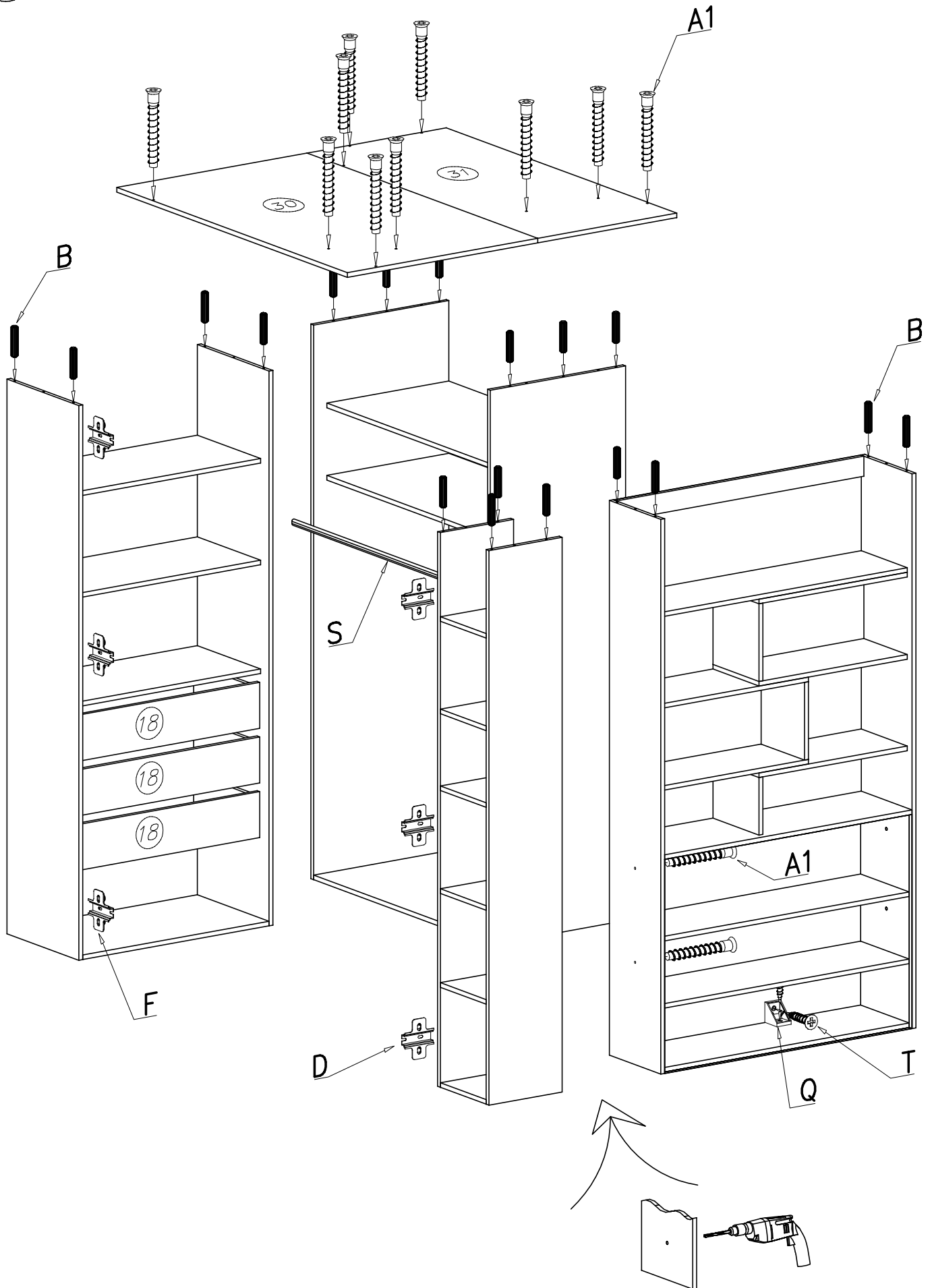
VIII



IX



(X)



(XI)

