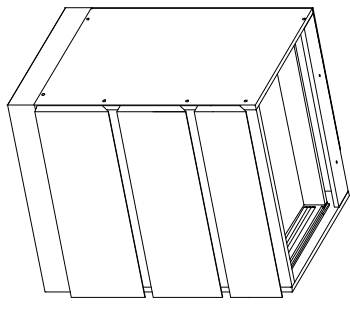
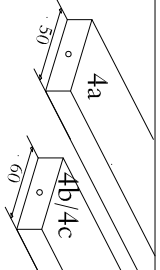
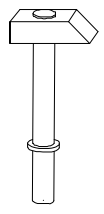
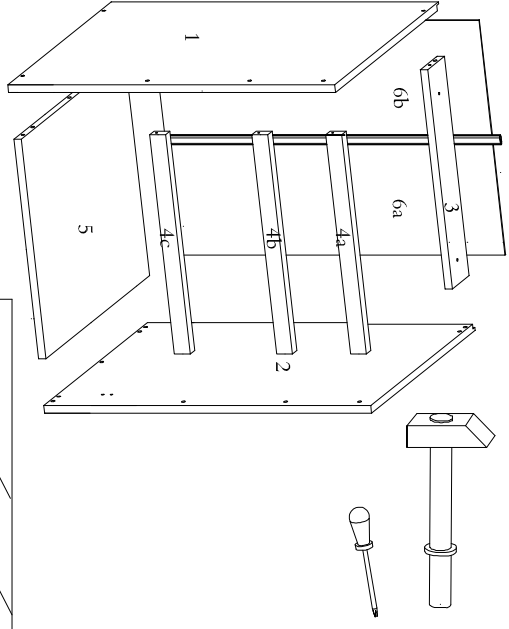
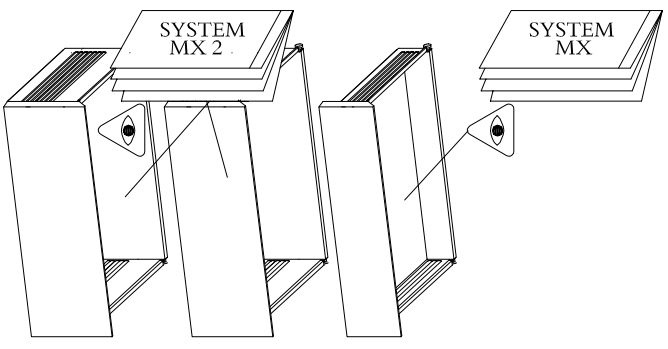
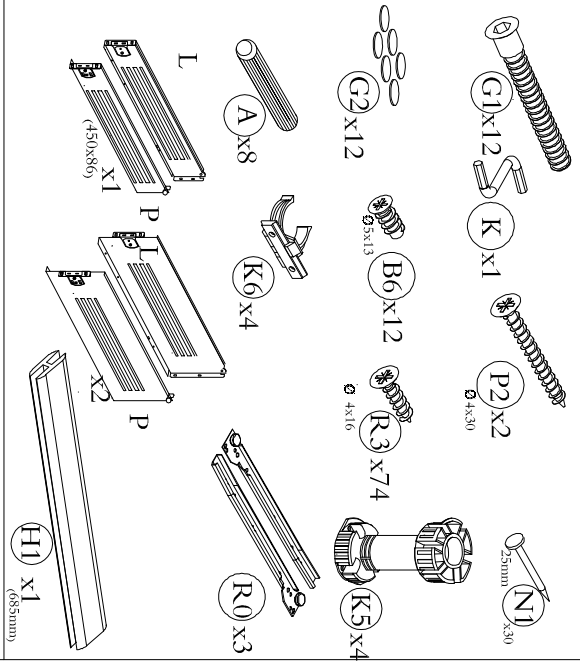


CAMPARI

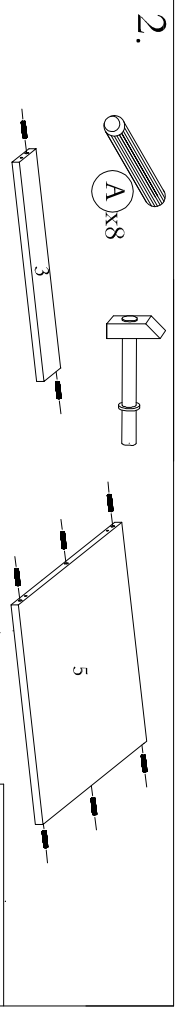
Ds6/3-Ds9/3



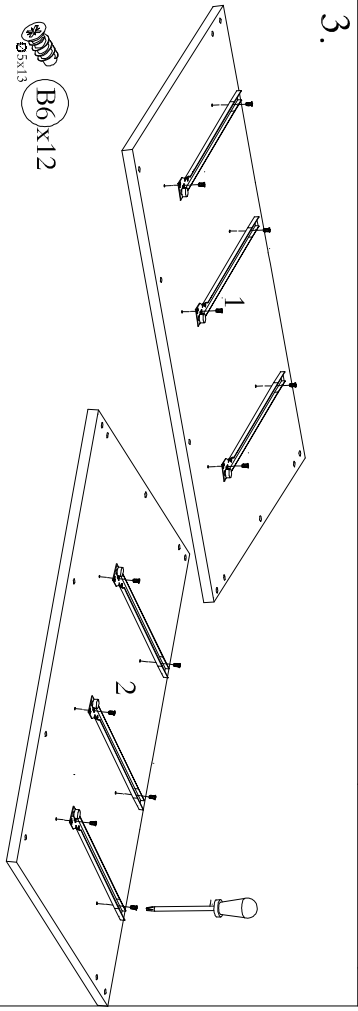
1.



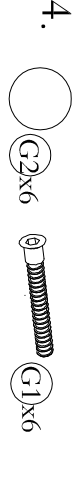
1/6



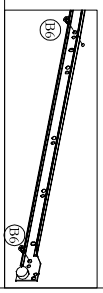
2.



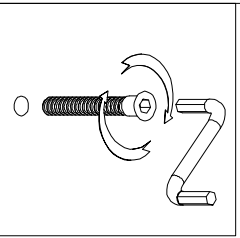
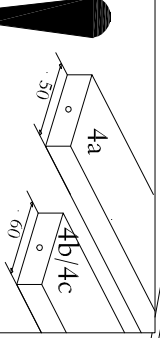
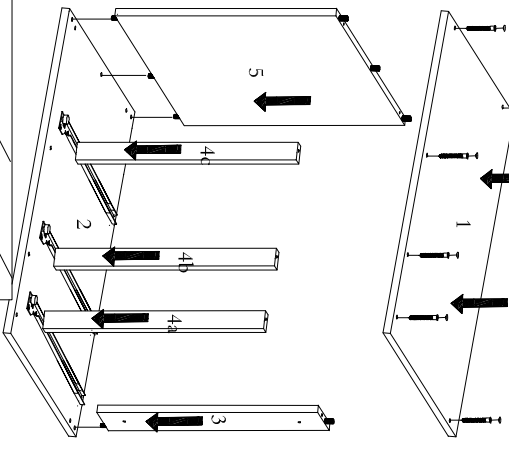
3.



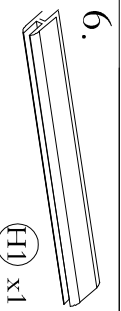
4.



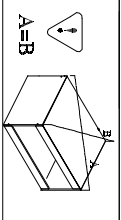
5.



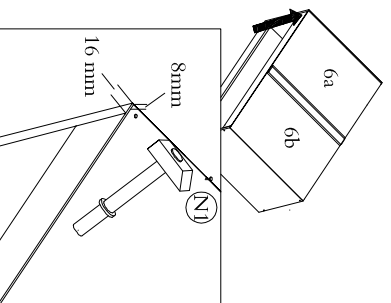
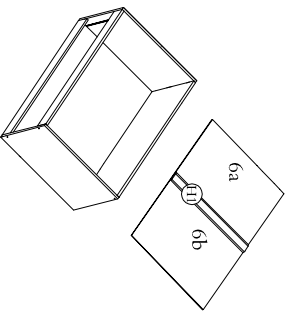
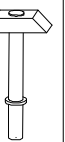
2/6




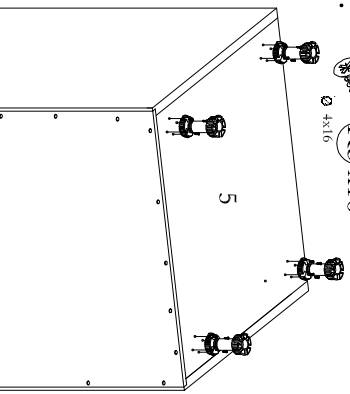
(H1) x1



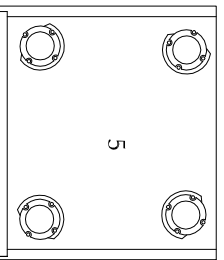
6.1



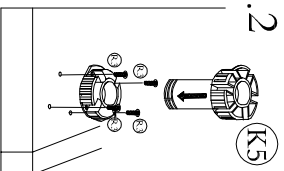
7.  R3 x16
Ø 4x10



7.1



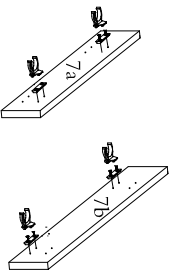
7.2



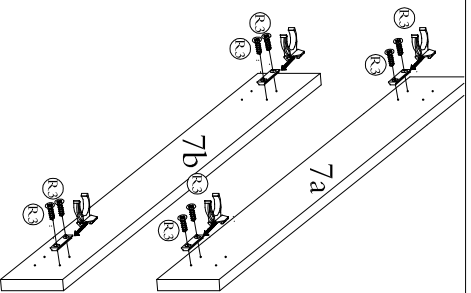
8.



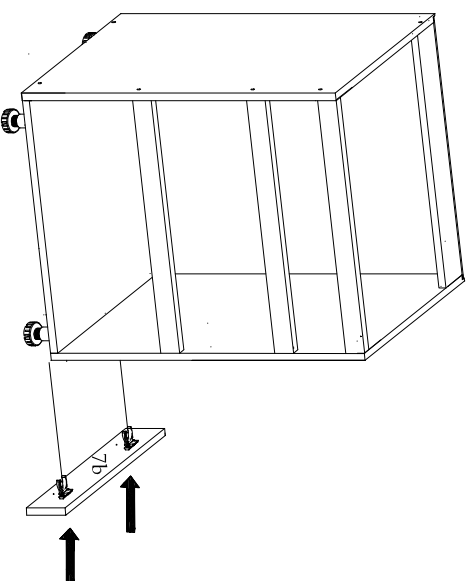
(K6) x4



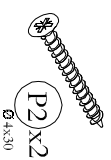
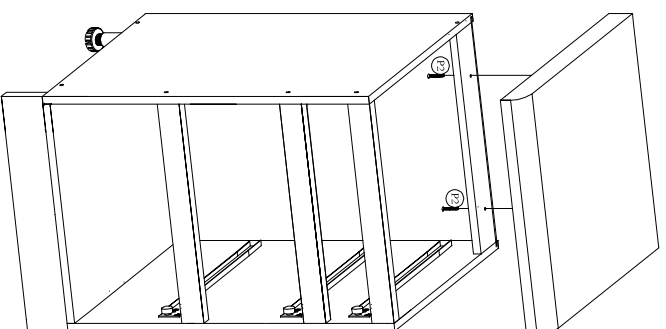
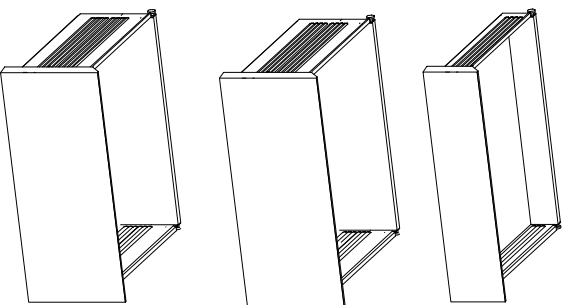
9.



10.1

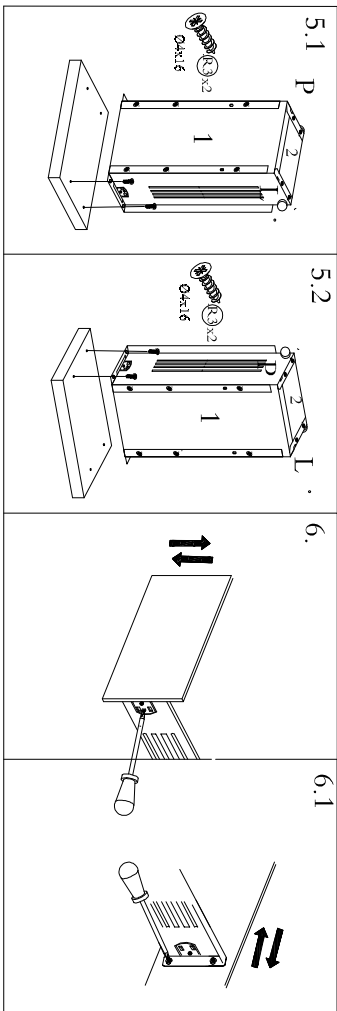
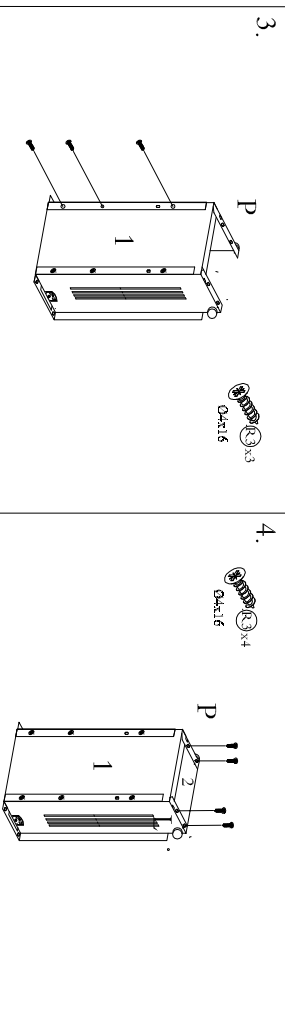
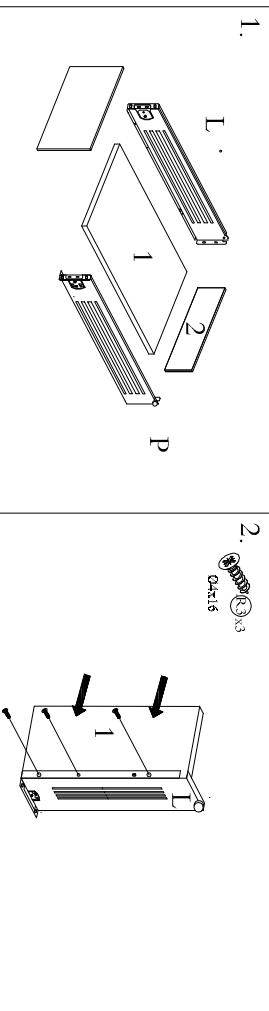
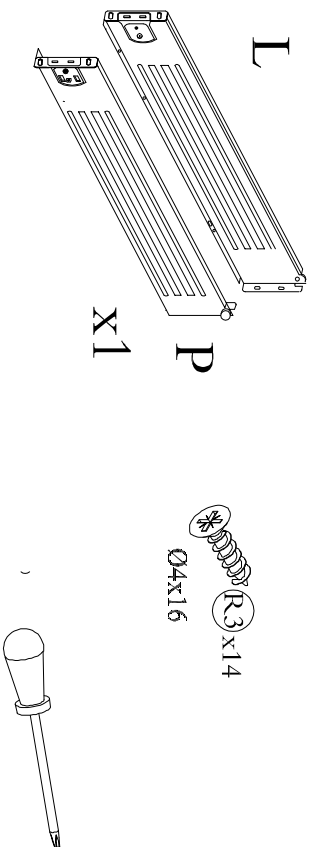


11.



(P2) x2
Ø 4x30

SYSTEM MX



SYSTEM MX 2

