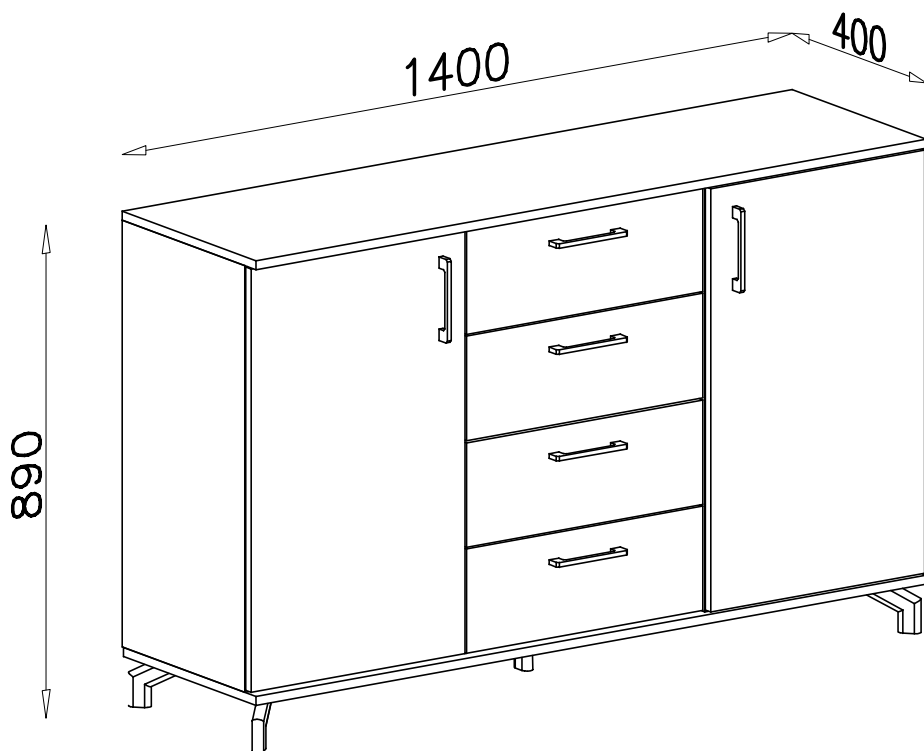
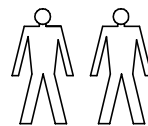
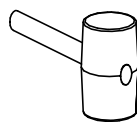
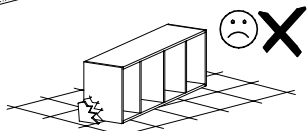
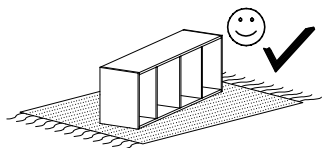

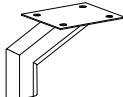



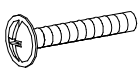
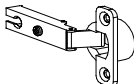
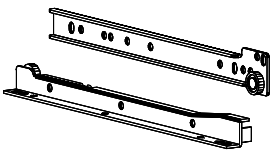


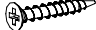
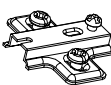


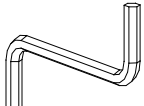
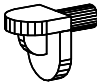

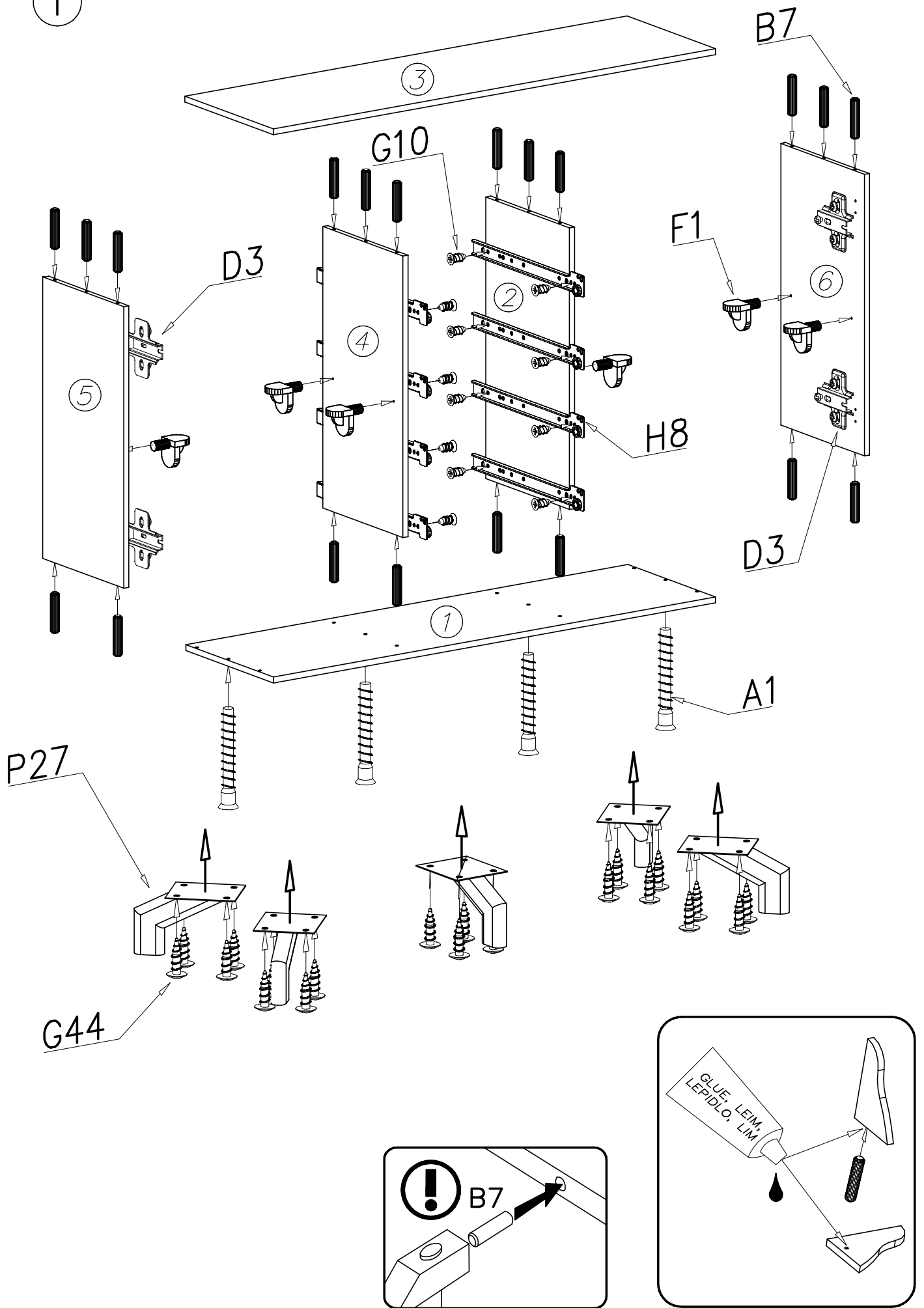


# MADISON MD 9

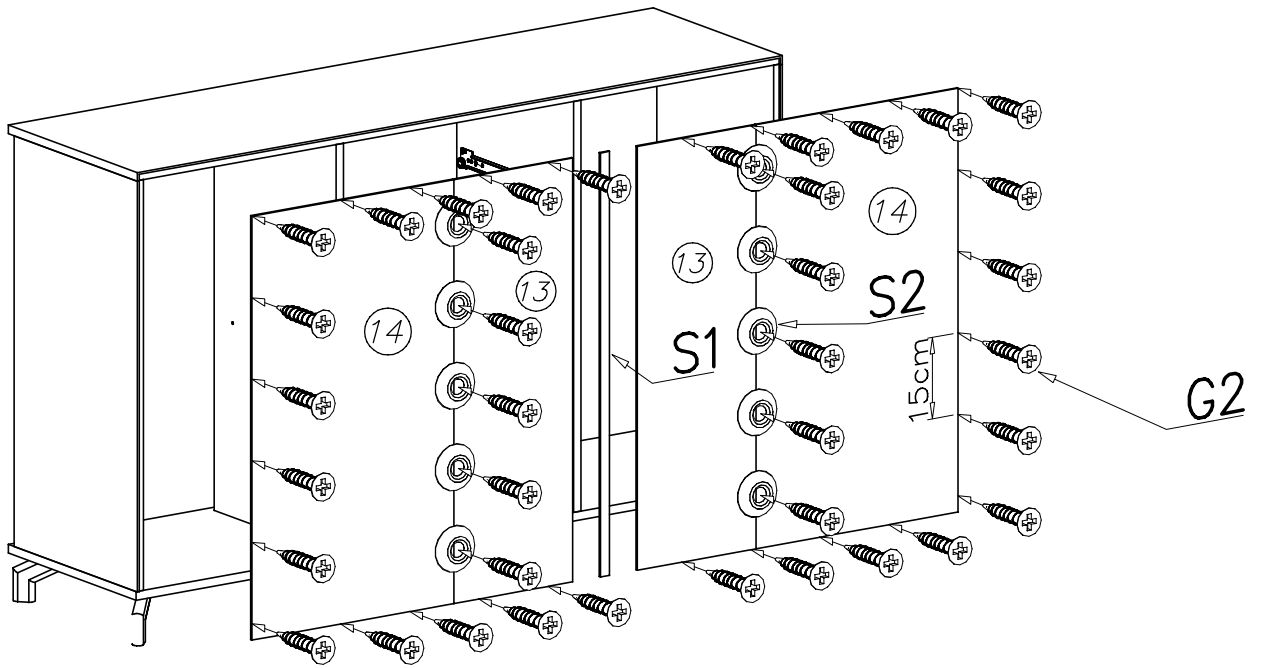


		<b>S1</b>  754mm x1	<b>P27</b>  x5	<b>E9</b>  x6
<b>G44</b>  6x16 x20	<b>W1</b>  GLUE, LEIM, LEPIDLO, LIM x3	<b>N13</b>  M4x22 x12	<b>C3</b>  Z35PR x4	<b>H8</b>  350mm x4
<b>S2</b>  x10	<b>G4</b>  4x16 x32	<b>G2</b>  3x20 x55	<b>D3</b>  PZ35PR x4	
<b>A1</b>  Ø7x50 x4	<b>B7</b>  Ø8x30 x52	<b>W2</b>  x1	<b>F1</b>  x8	<b>G10</b>  6x13 x16

I



II



III

