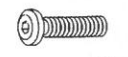



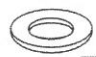
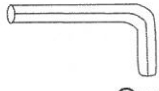

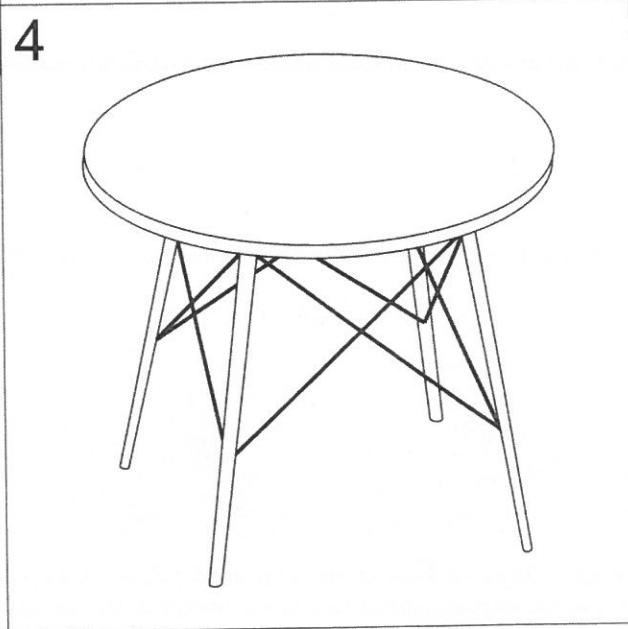
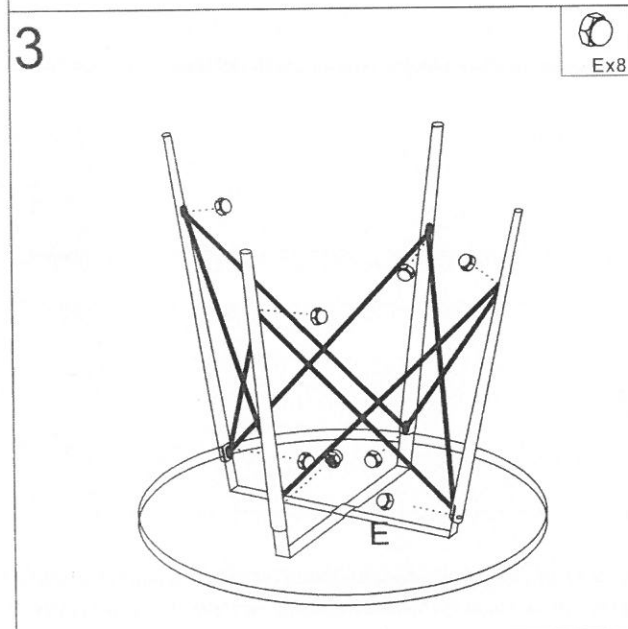
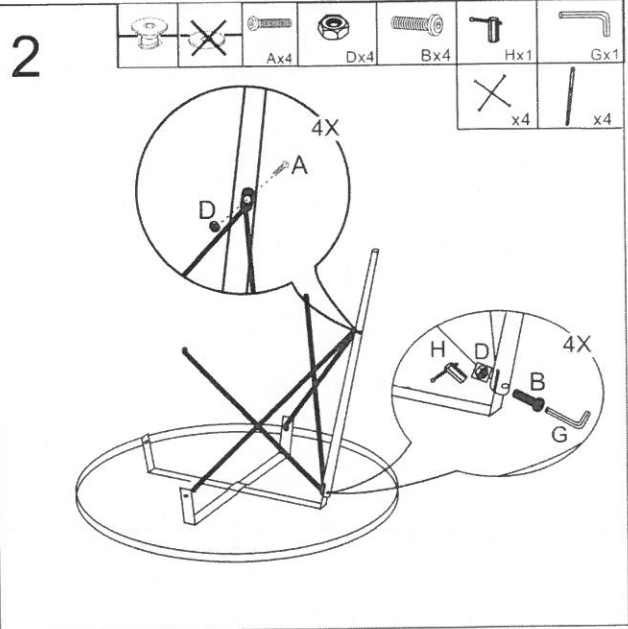
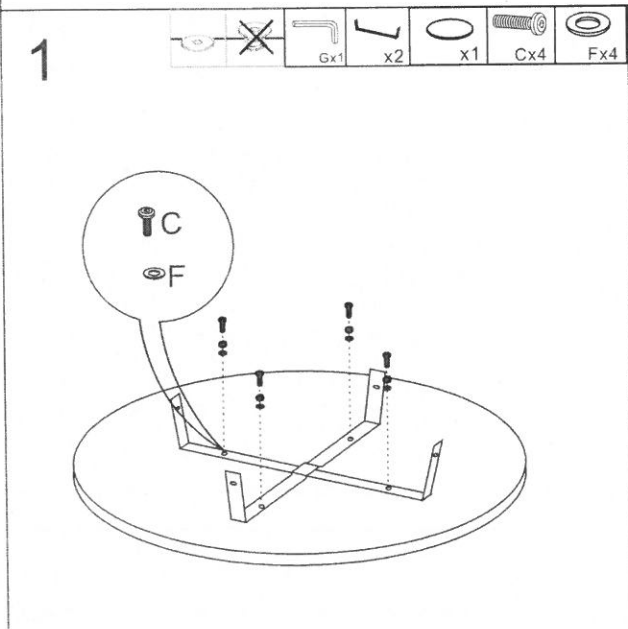
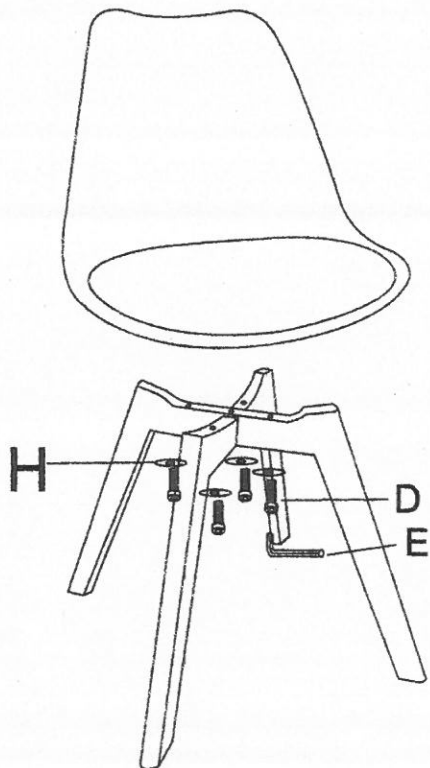
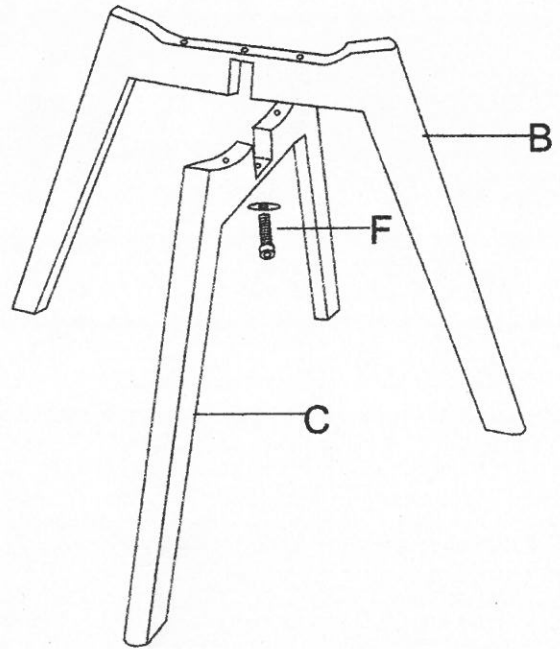
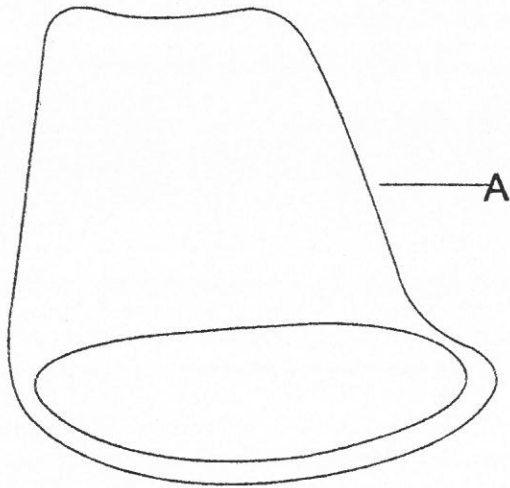
 Ax4	 Bx4	 Cx4
				 Dx8	 Ex8	 Fx4
x2	x1	x4	x4	 Gx1	 Hx1	





Ax1



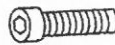
Bx1



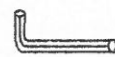
Cx1



Dx4



Ex1



Fx1



Hx5

