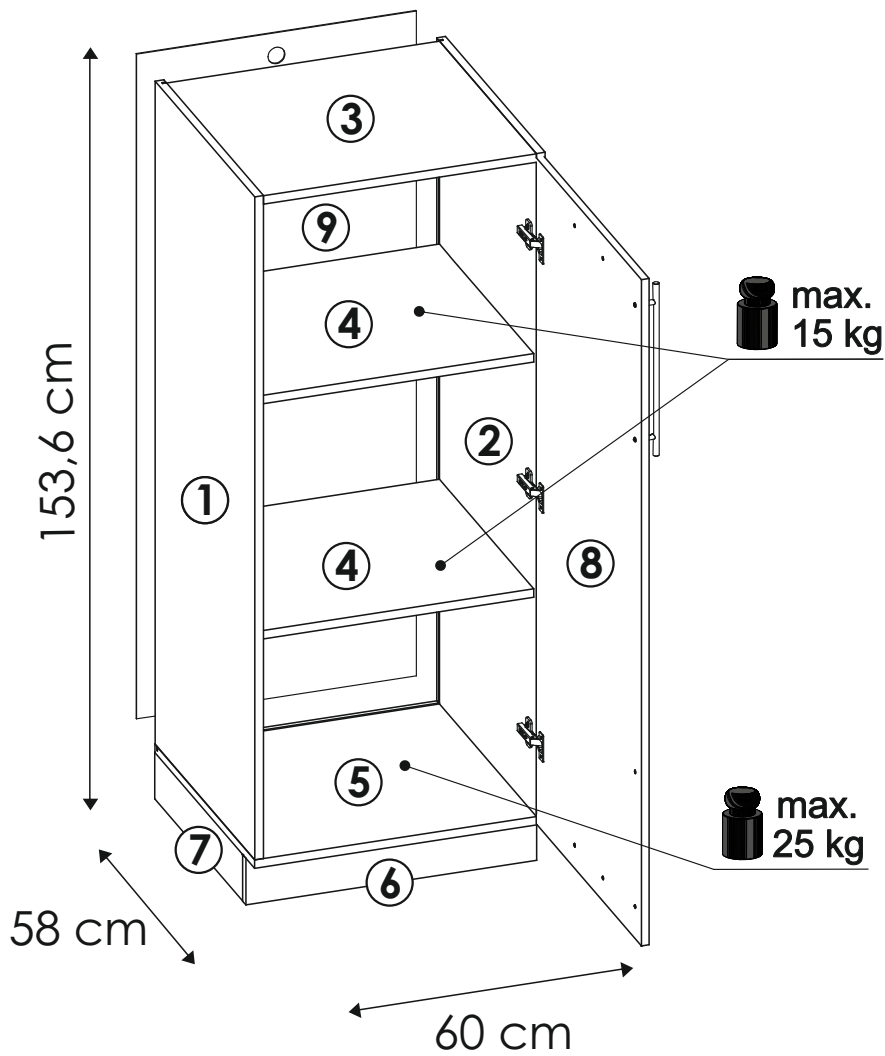
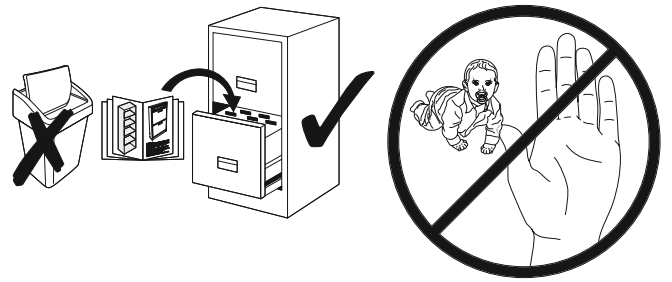
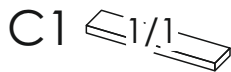


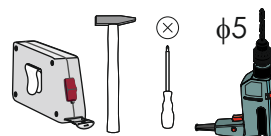
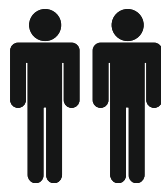
D5D 60

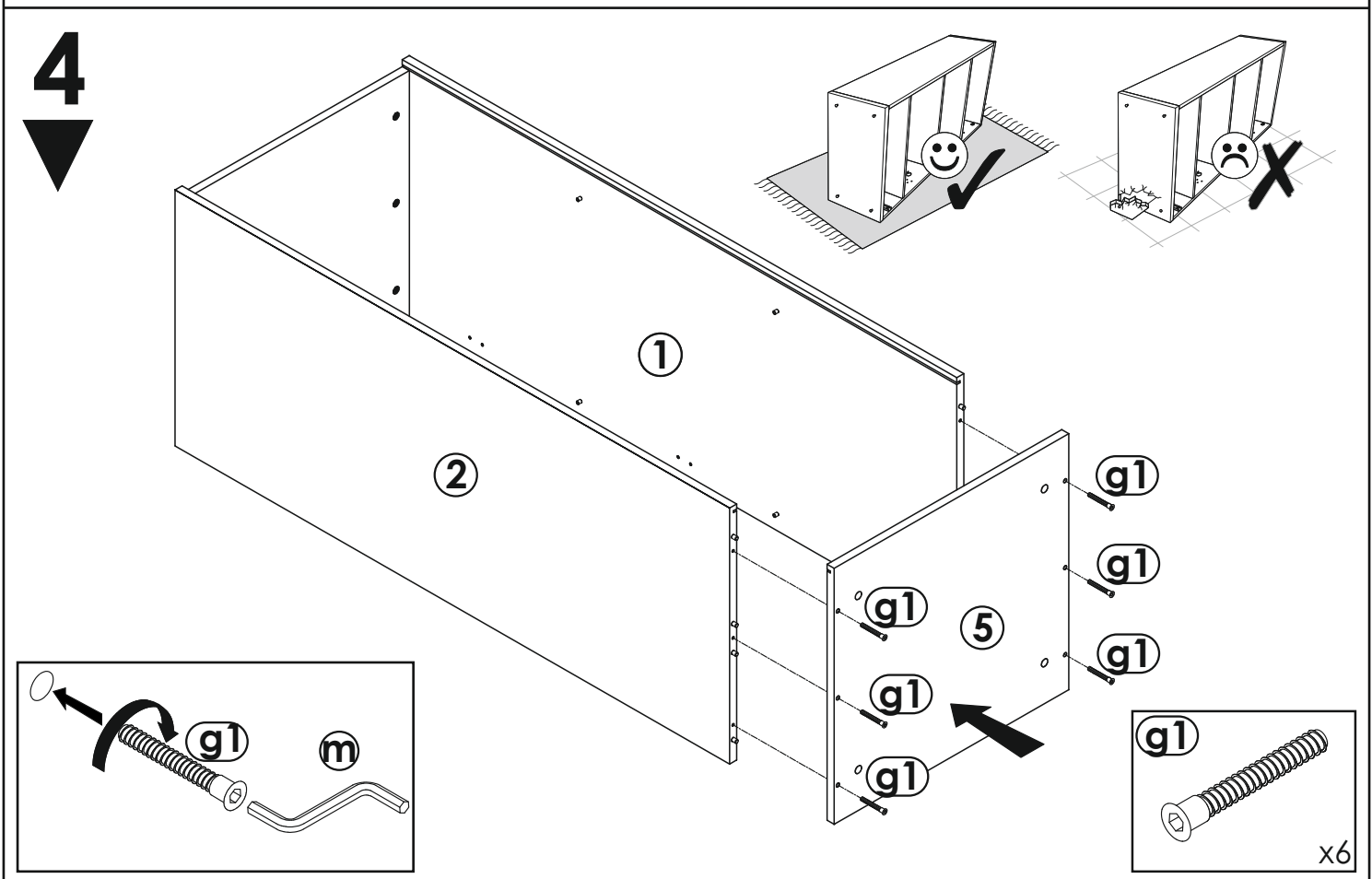
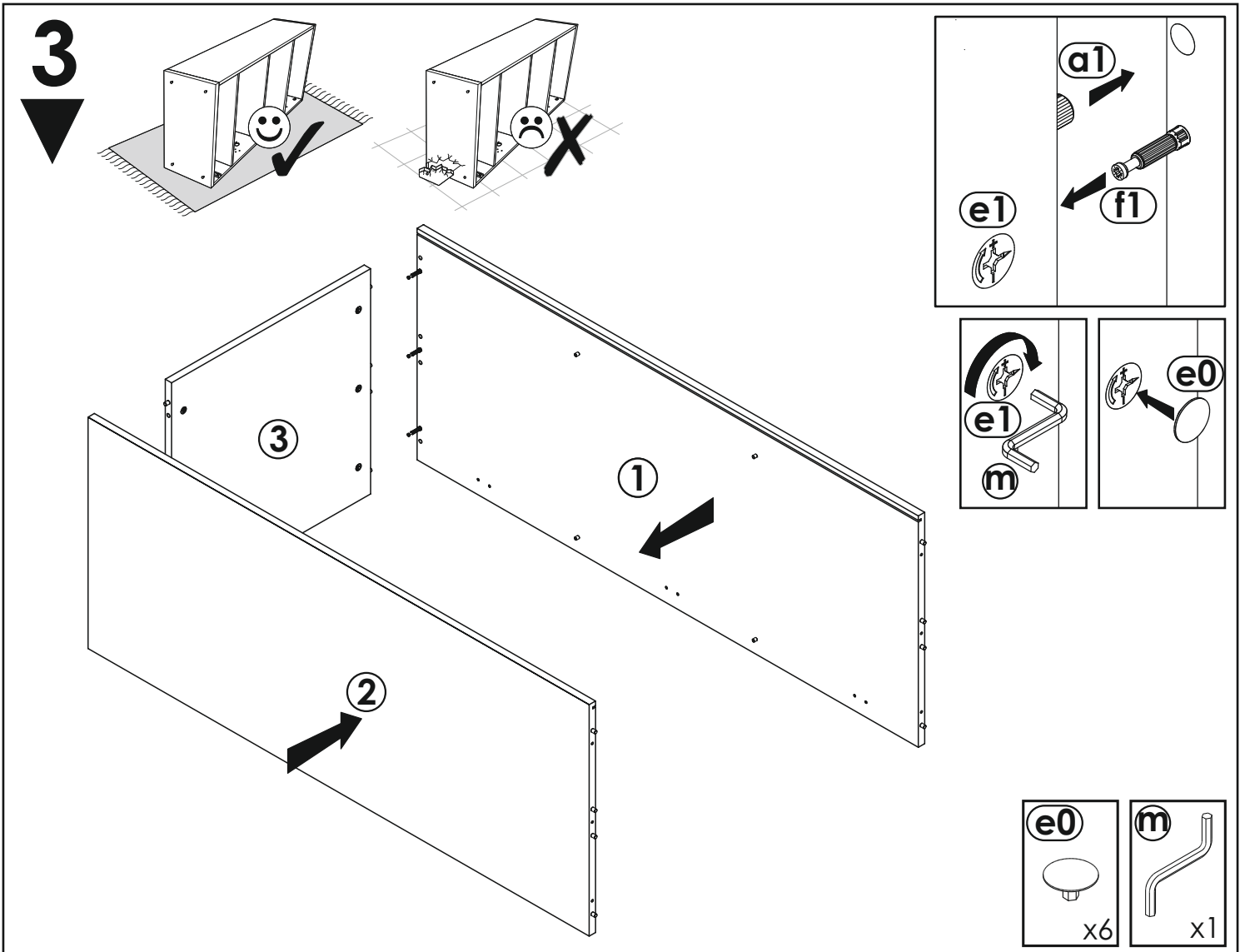


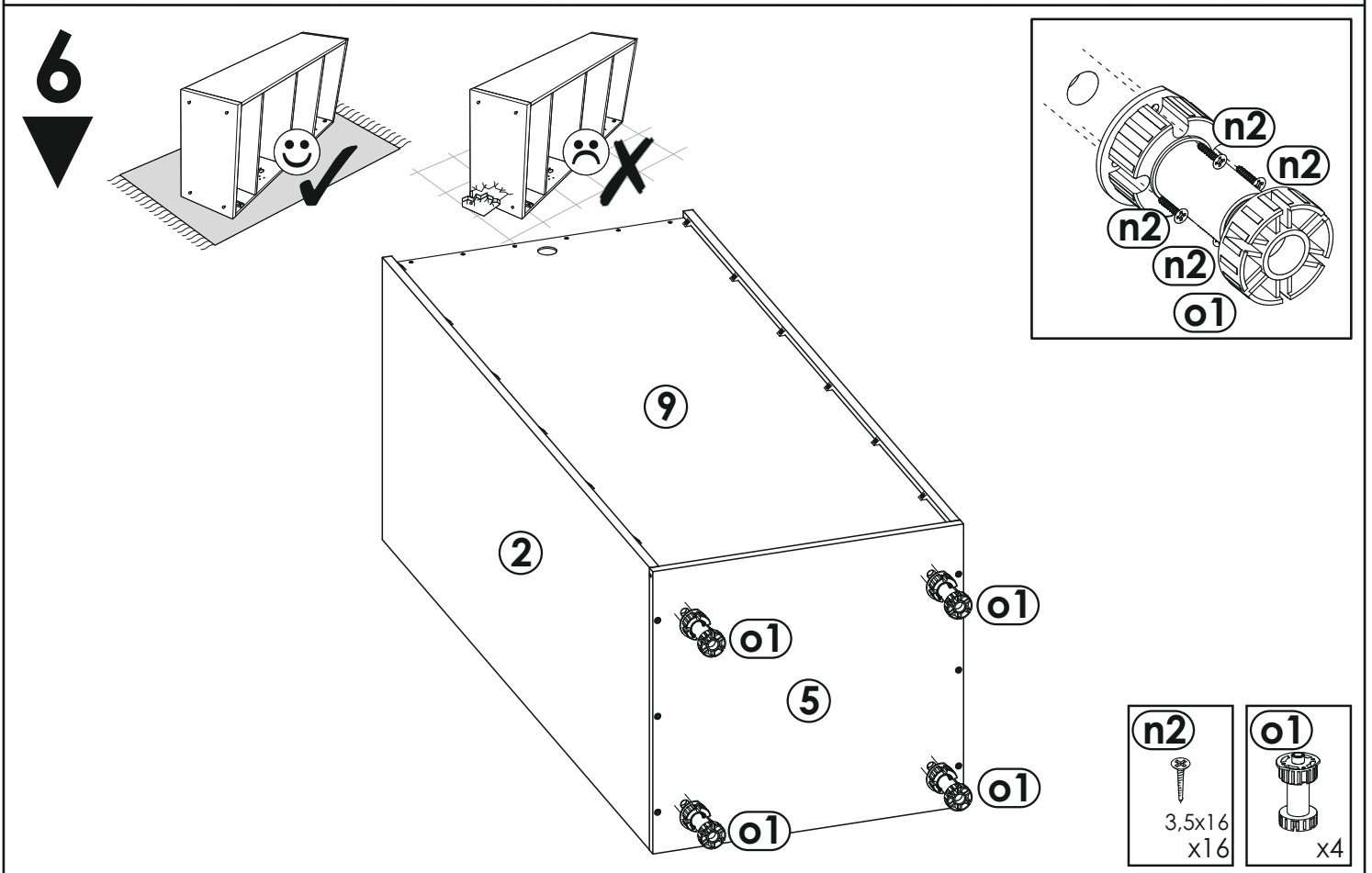
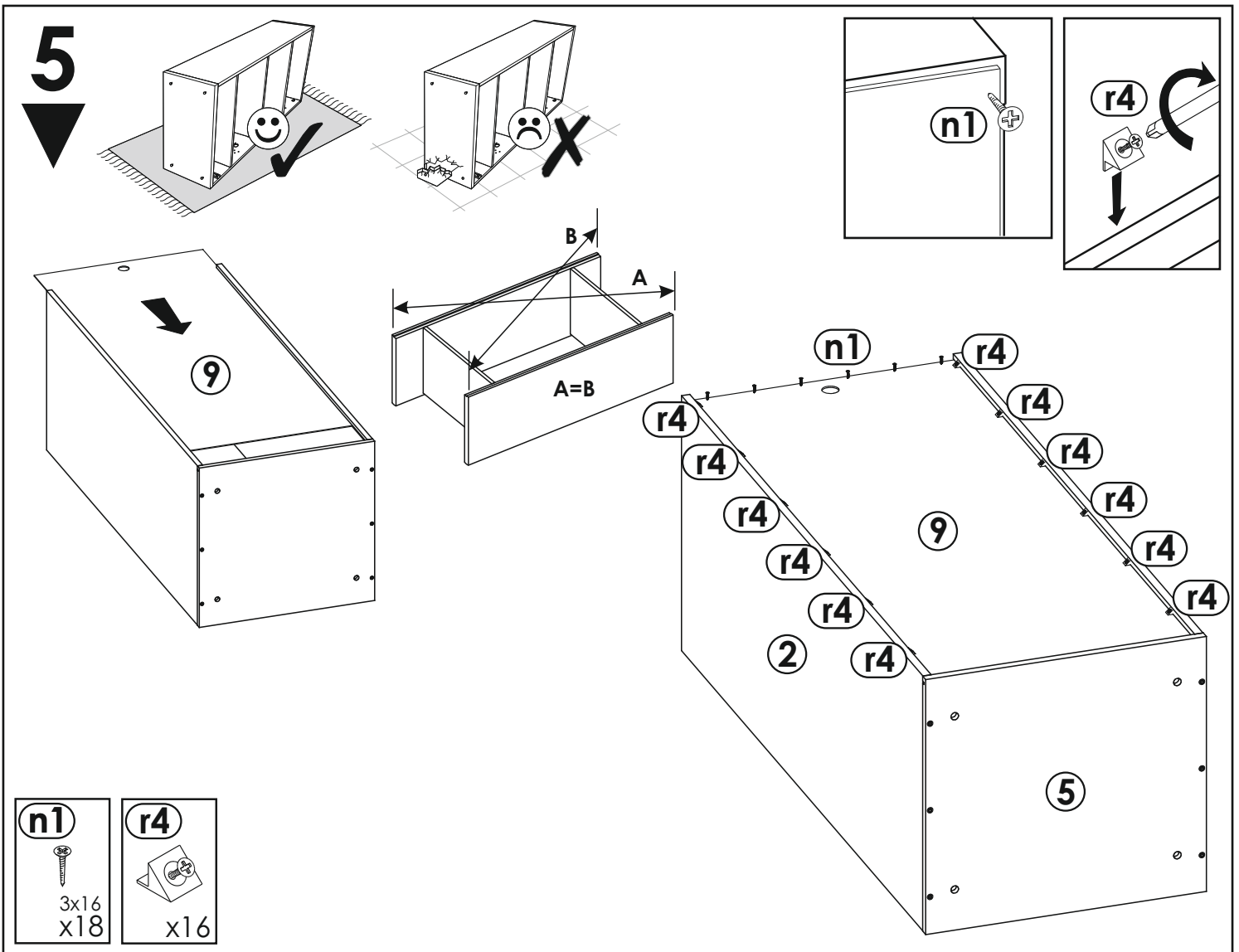
a1 8x35 X...(x16)	c1 Euro 4x13 X...(x6)	bc0 X...(x3)
bc1 X...(x3)	d2 X...(x8)	e0 X...(x6)
e1 X...(x6)	f1 X...(x6)	g1 X...(x6)
h1 X...(x1)	k3 4x22 X...(x2)	m X...(x1)
n1 3x16 X...(x10)	n2 3,5x16 X...(x24)	p01 X...(x12)
o1 X...(x4)	o2 X...(x4)	r4 X...(x14)
		w16 X...(x1)



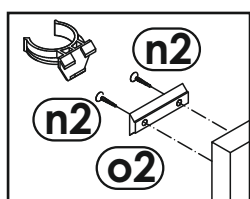
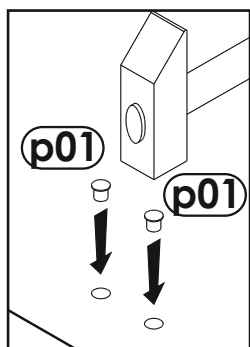
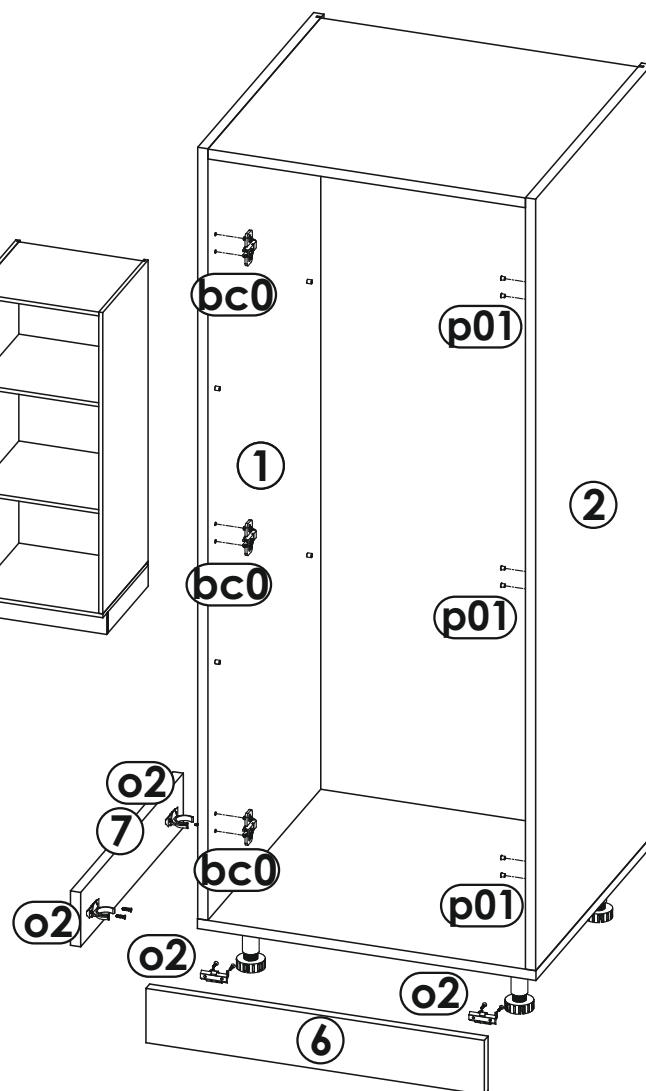
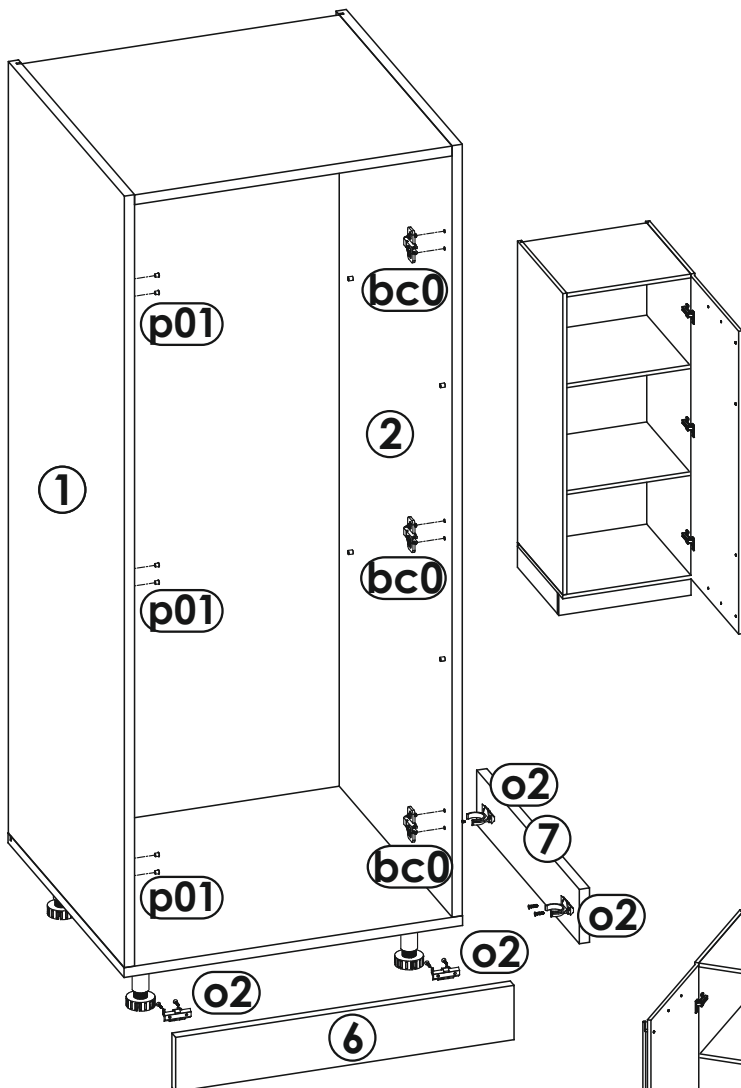
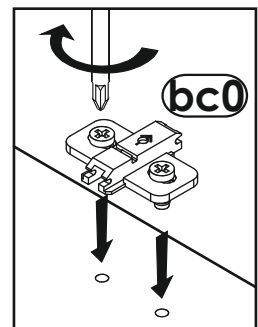
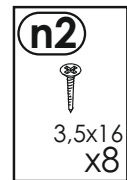
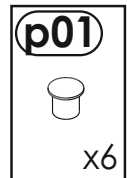
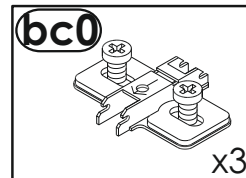
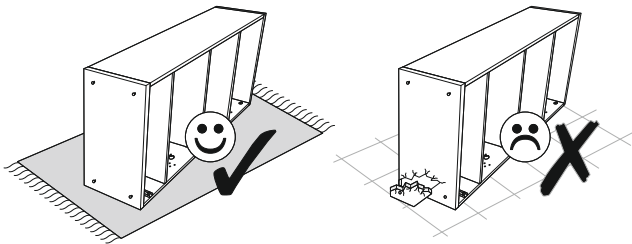
- | | |
|-------|-------|
| ① -C1 | ⑥ -C1 |
| ② -C1 | ⑦ -C1 |
| ③ -C1 | ⑧ -C1 |
| ④ -C1 | ⑨ -C1 |
| ⑤ -C1 | |







7
▼



8

