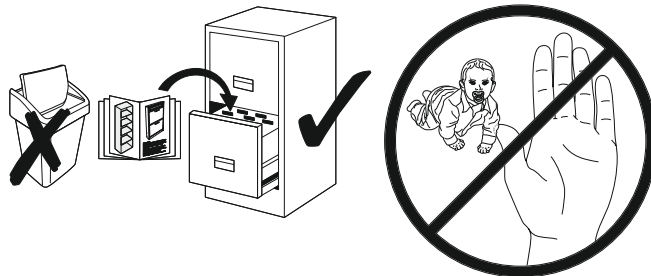
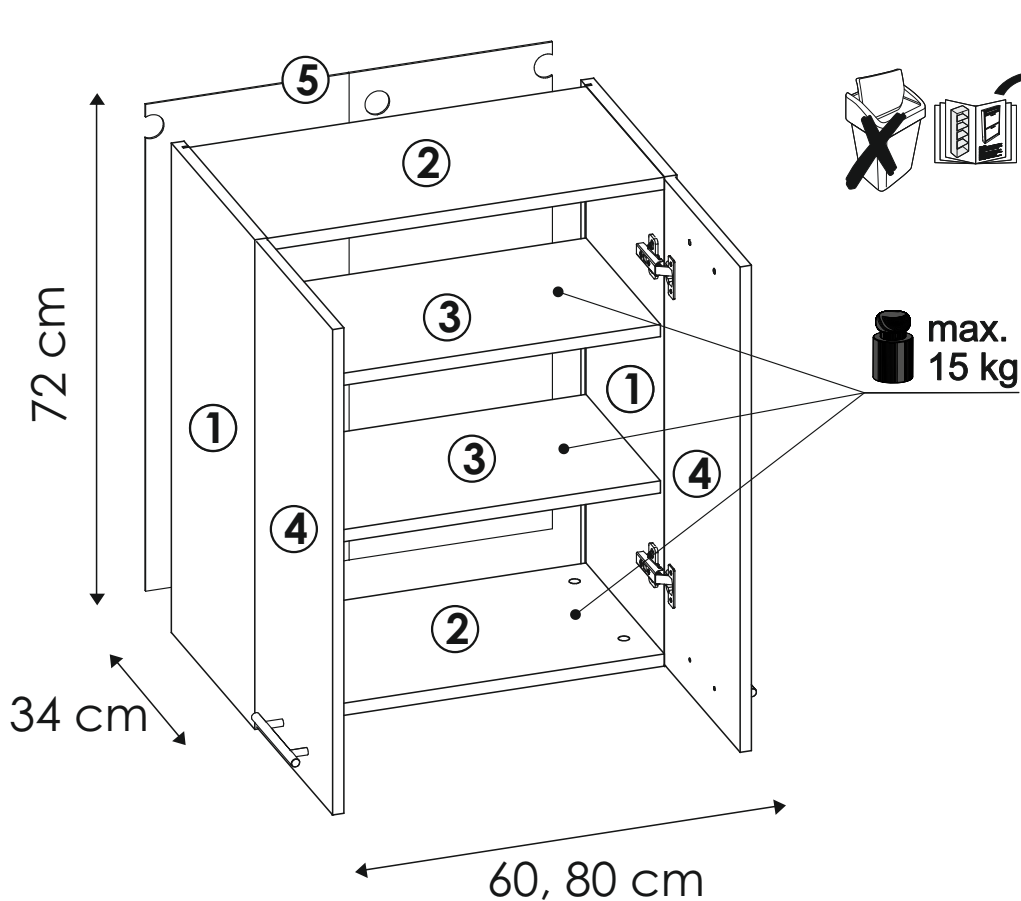
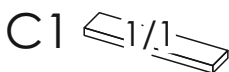


2 W3 80, 90



a1 8x35 x....(x8)	bc0 x....(x4)	bc1 x....(x4)	c1 Euro 4x13 x....(x8)	d2 x....(x8)	e0 x....(x8)	e1 x....(x8)	f1 x....(x8)	
h1 x....(x2)	i5 3,5x30 x....(x4)	k3 4x22 x....(x4)	m x....(x1)	n1 3x16 x....(x20)	p01 x....(x4)	p8 x....(x1)	r4 x....(x6)	w16 x....(x1)



- ① -C1
- ② -C1
- ③ -C1
- ④ -C1
- ⑤ -C1

