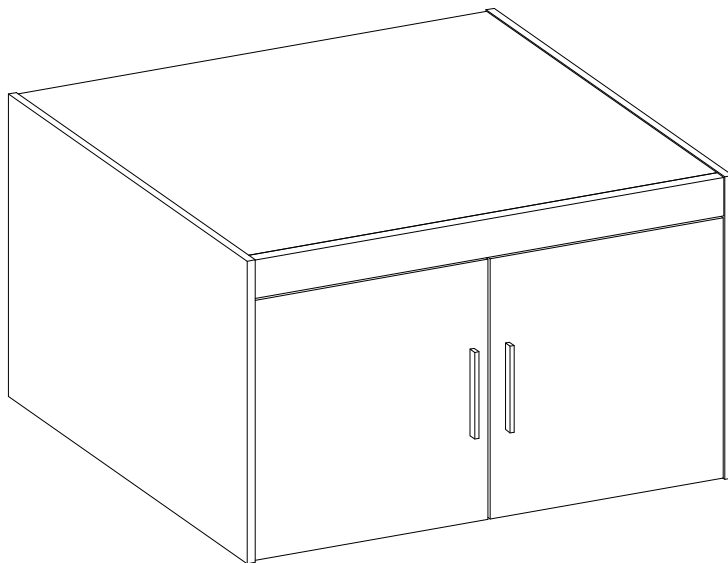
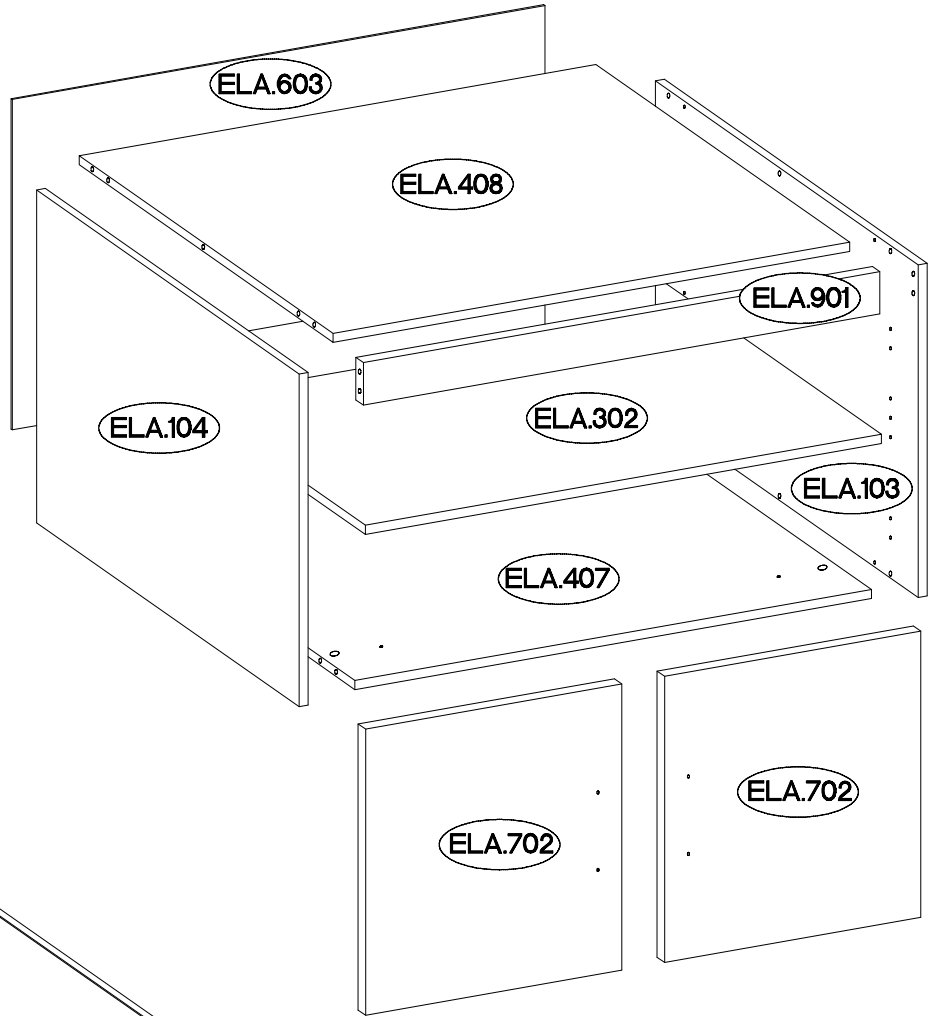
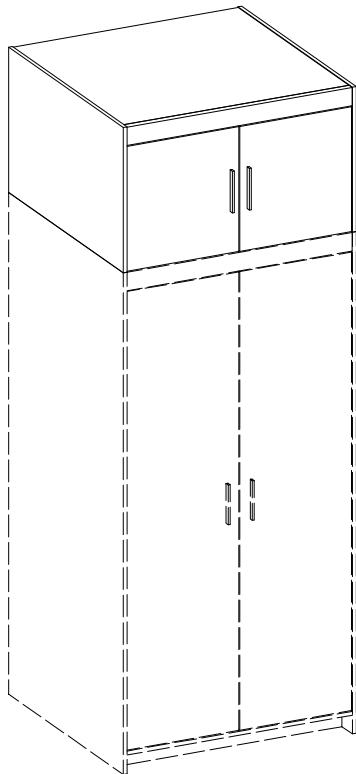
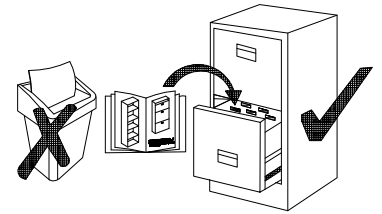
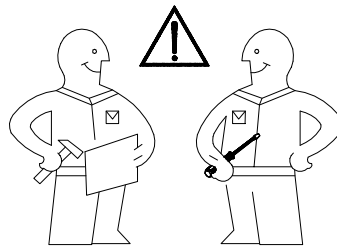
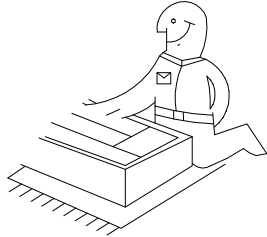
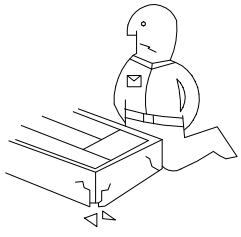


# ELENA NA 2D



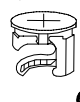
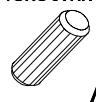
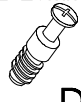
ELA.302 = max. 5kg

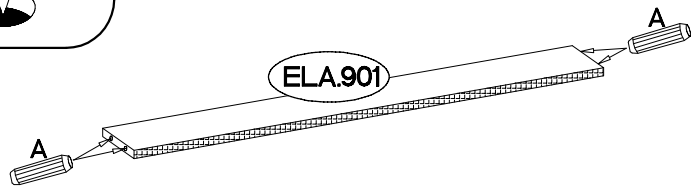
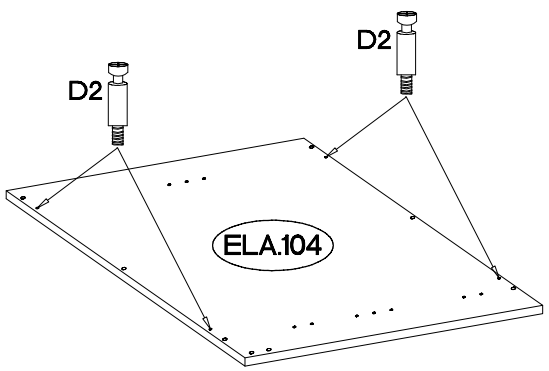
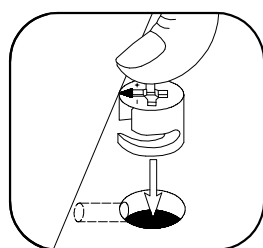
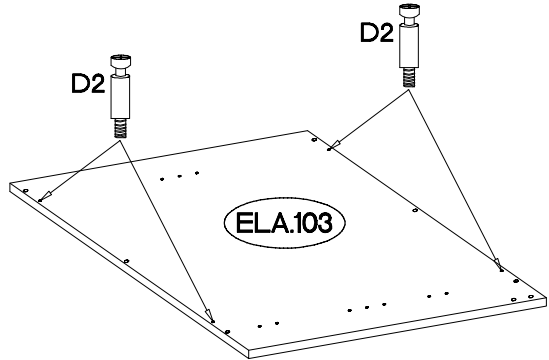
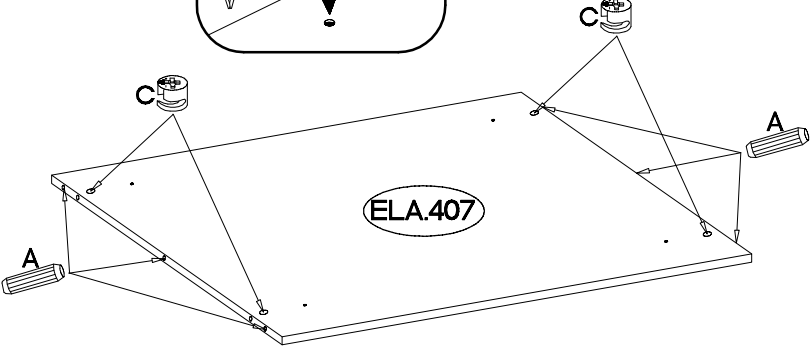
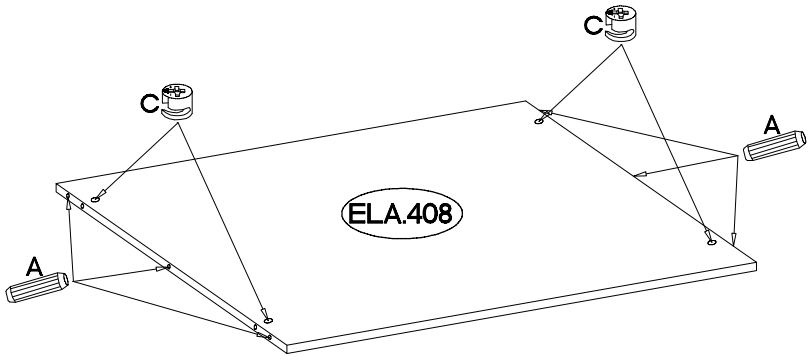
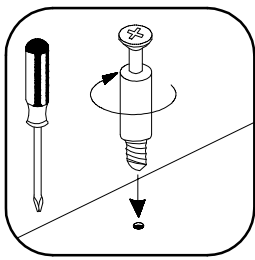
+4.0x25mm R	+35/16mm G2	H=0 H	+3.5x13mm P5
4	4	4	8

L=128mm S11	+4.0x27mm R1	+3.0x20mm P7	J3	+15/12mm C	E	+8x30mm A	L=20mm D2
2	4	20	4	8	8	16	8

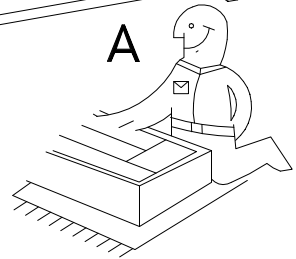
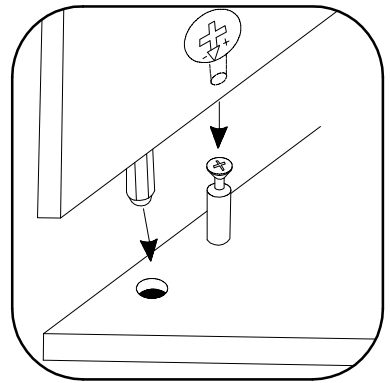
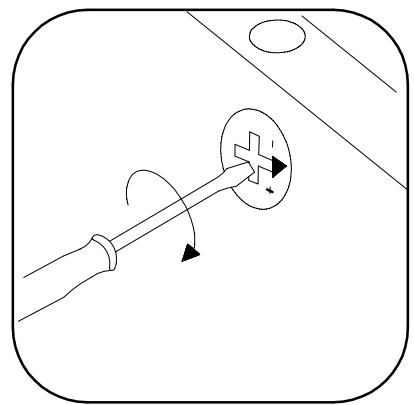
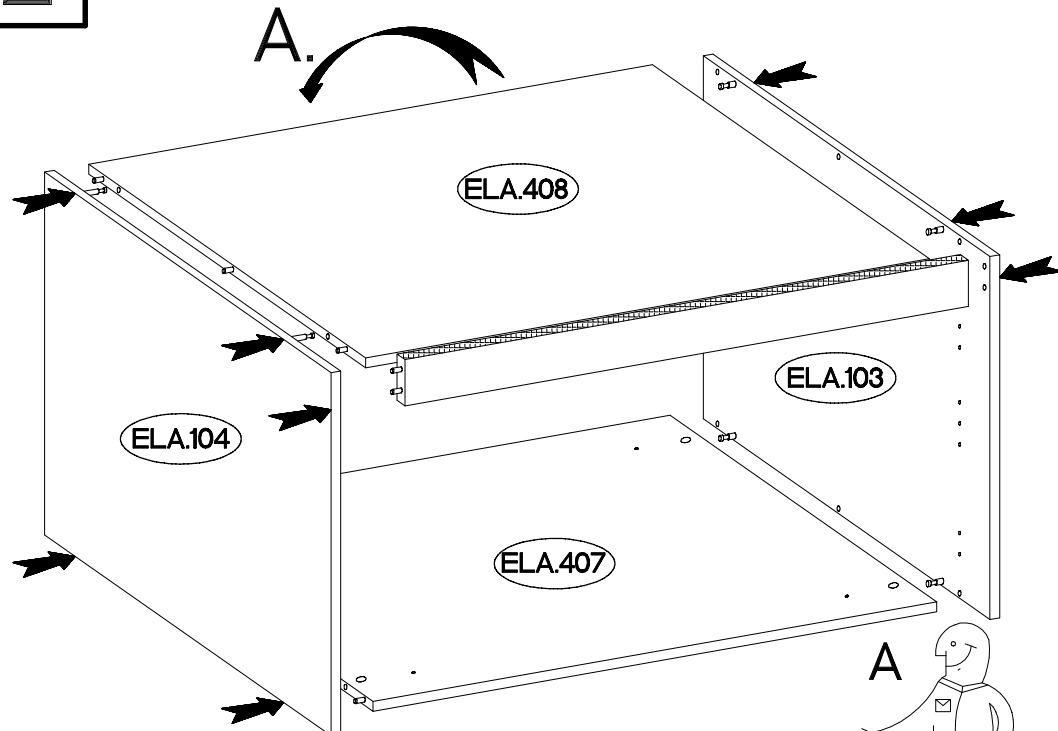
ISM-ELA-03

1

$\varnothing 15/12\text{mm}$ 	$\varnothing 8 \times 30\text{mm}$ 	L=20mm 
C 8	A 16	D2 8



2



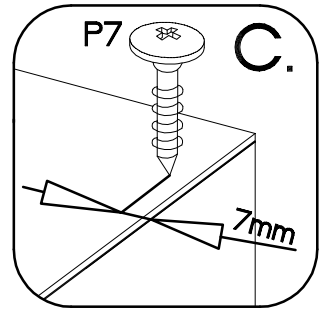
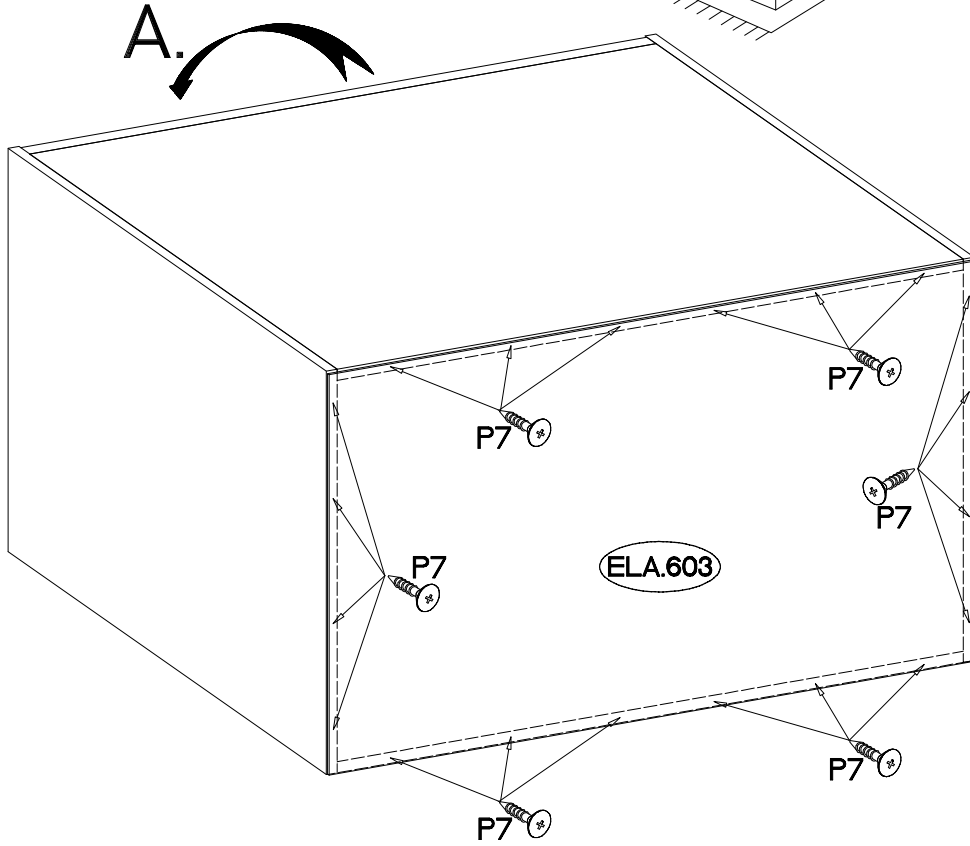
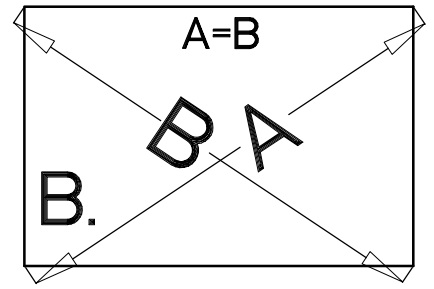
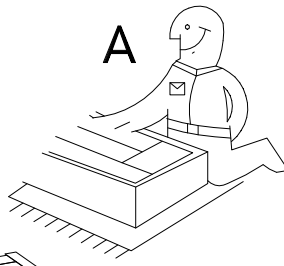
3

±3.0x20mm



P7

20



4

±35/16mm



G2

4

H=0



H

4

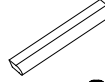
±3.5x13mm



P5

8

L=128mm



S11

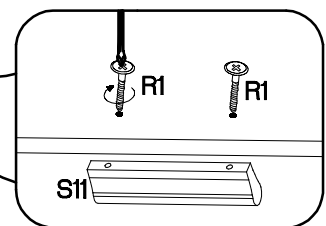
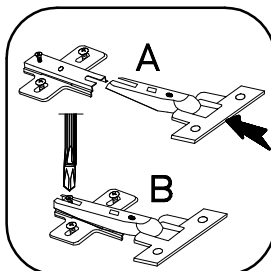
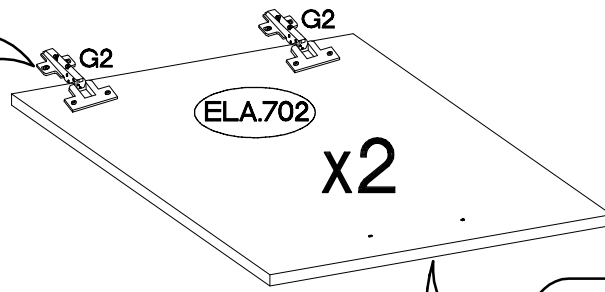
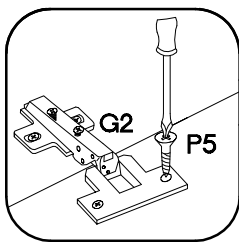
2

±4.0x27mm

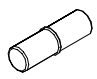



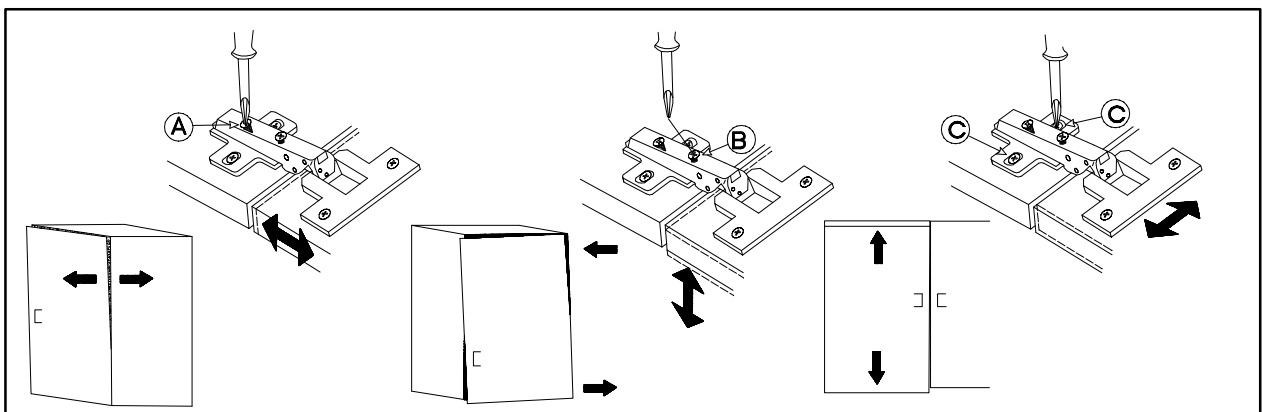
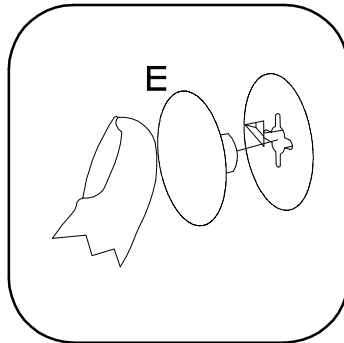
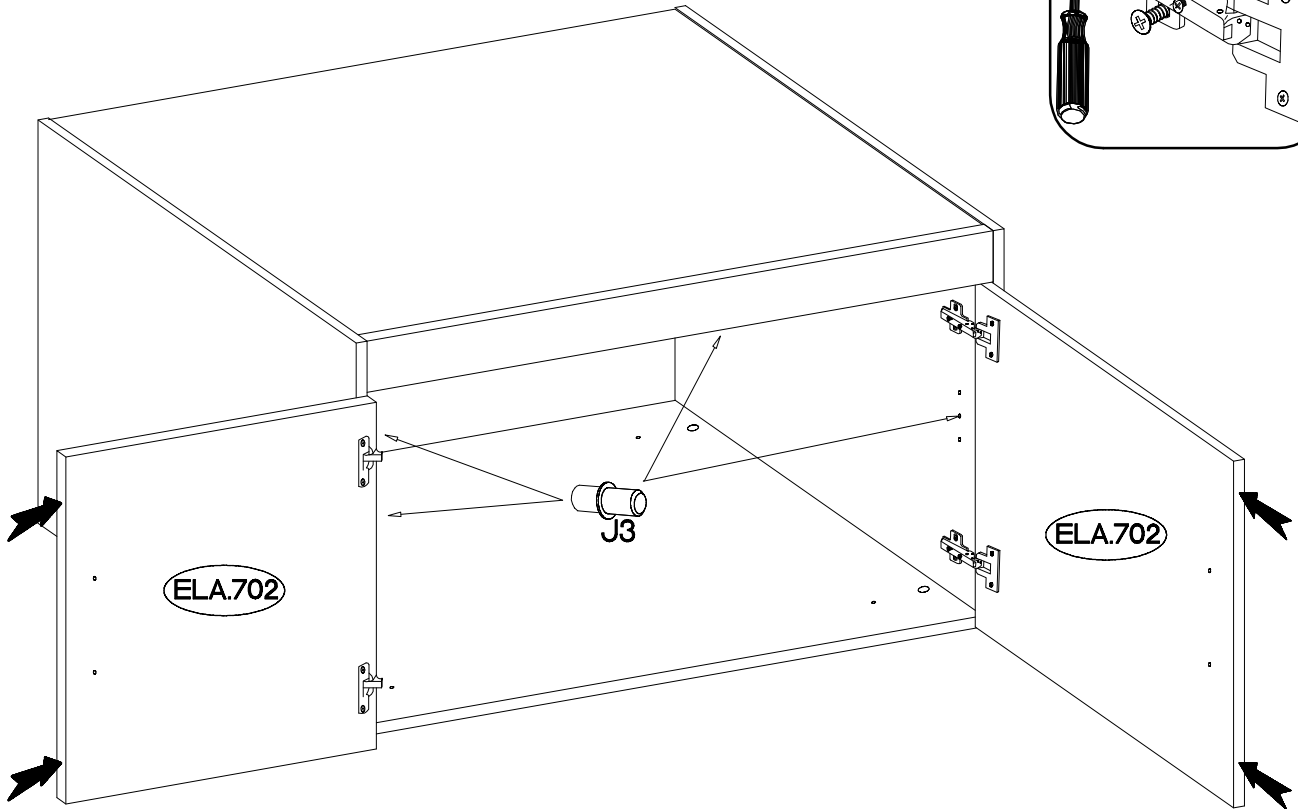
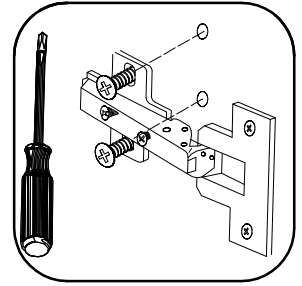
R1

4



5

	
J3	E
4	8



6

±4.0x25mm



R

4

