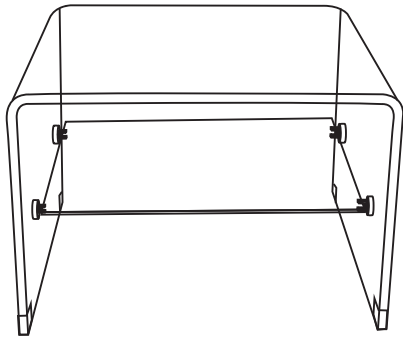
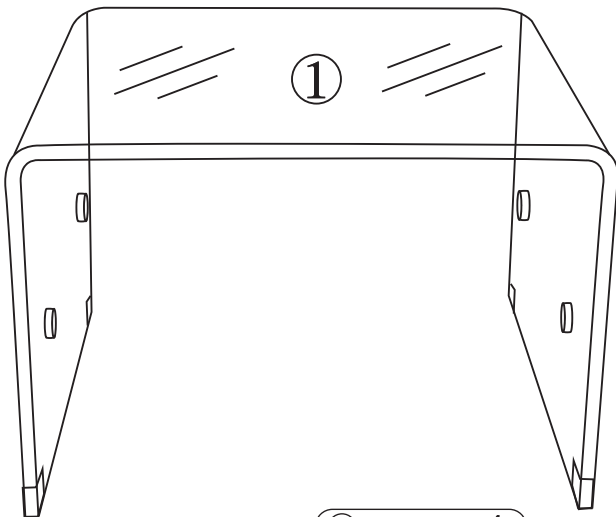
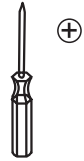


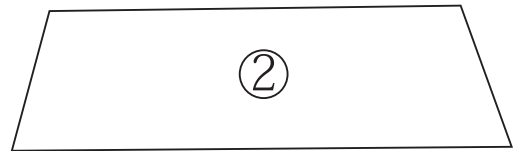
# Assembly Instruction



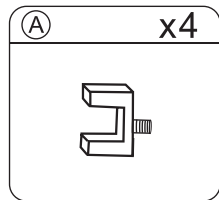
**F-002S**



①



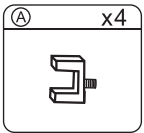
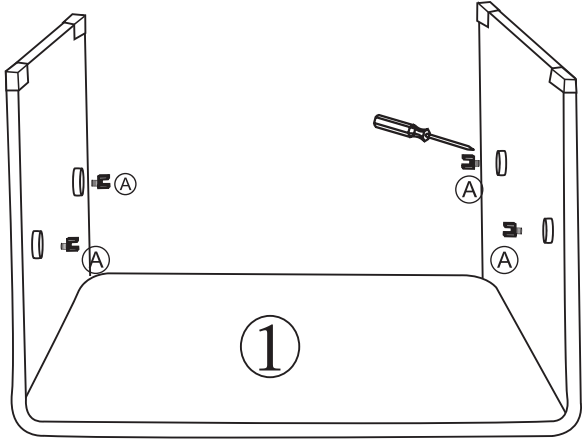
②



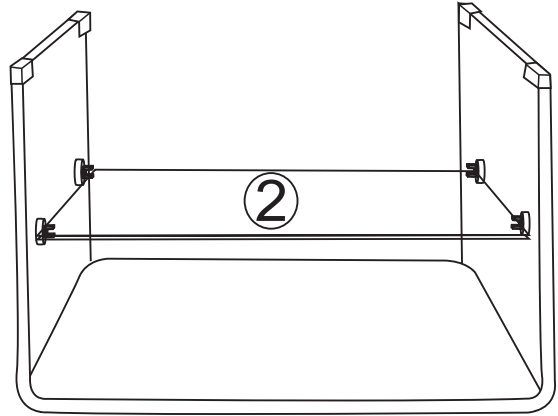
A

x4

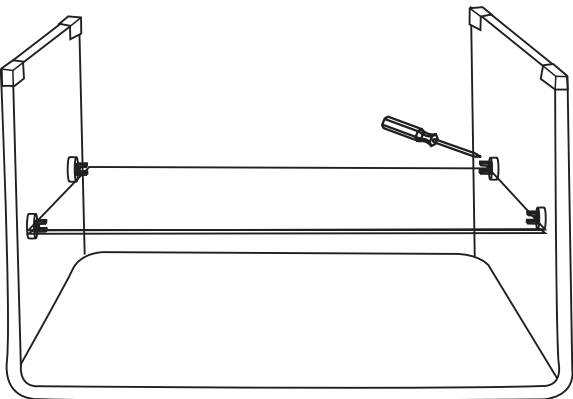
1



2



3



4

