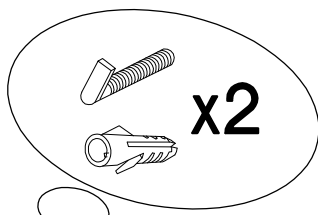
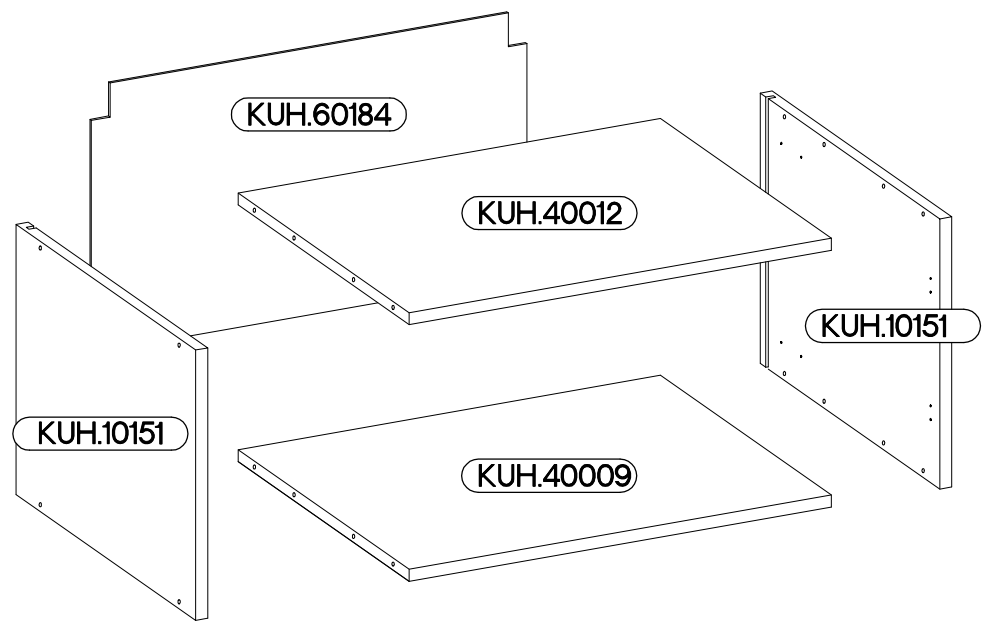
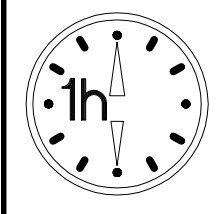
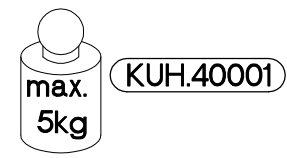
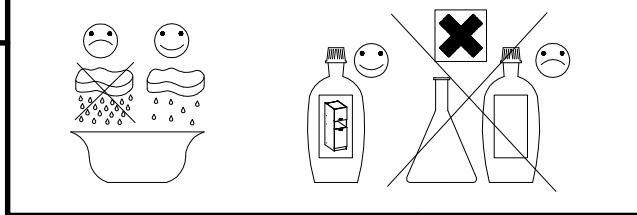
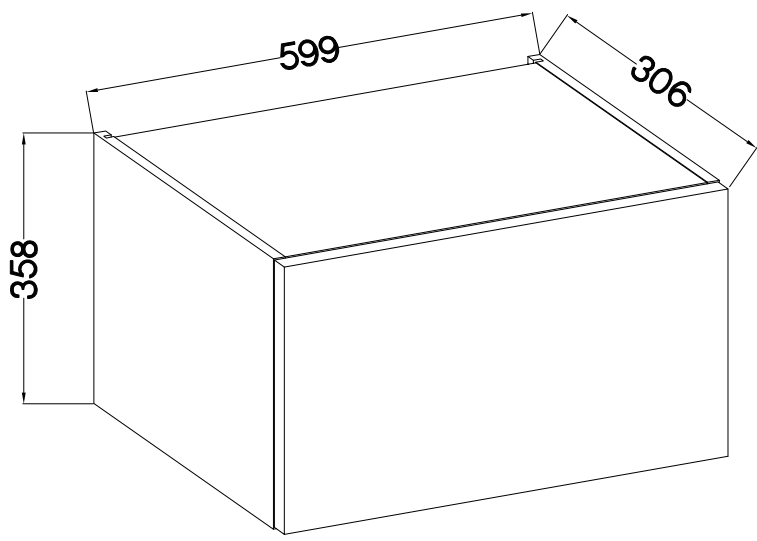
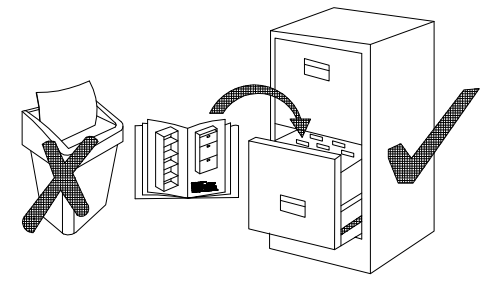


Ø10mm
60 GU-36

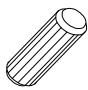

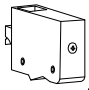


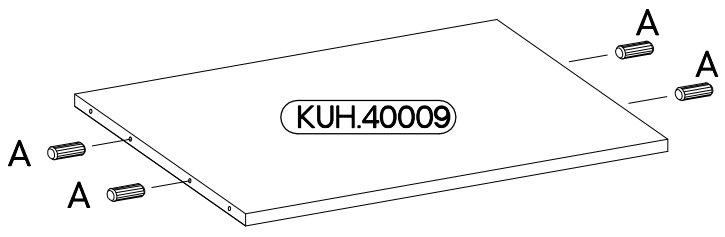
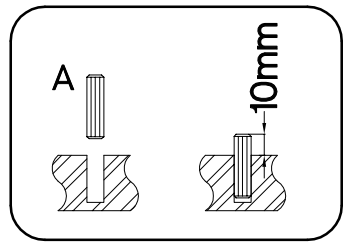
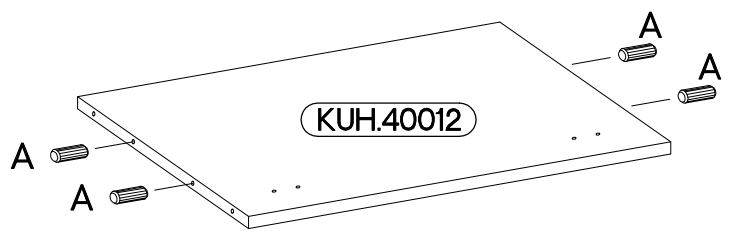
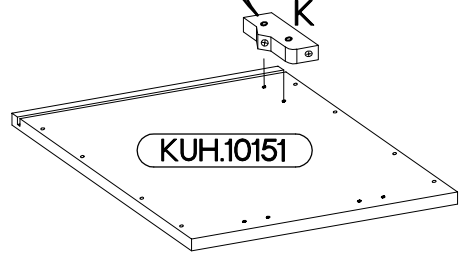
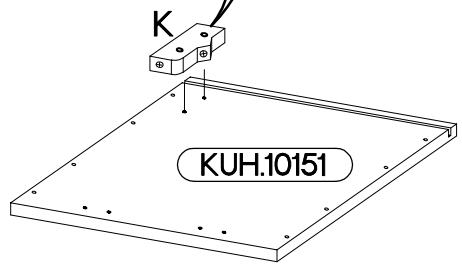
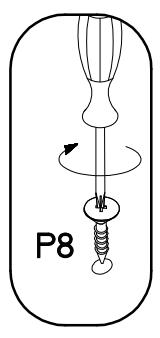
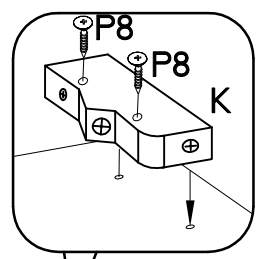
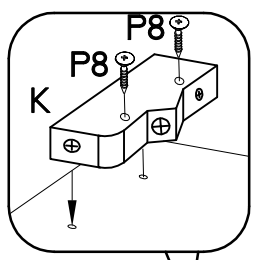
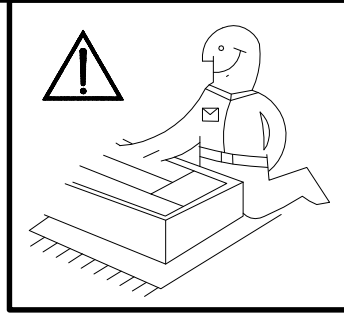
| | | | |
|-------------------------------------|--|--------------------|---|
| ±8x30mm A 8 | 6,4 x 50mm B 8 | E1 8 | ±35/0mm HG 2 |
| K 2 | K24 2 | O 1 | ±3.5x13mm P5 4 |
| | | | ±3.0x20mm P7 8-10 |
| | | | ±4.0x30mm P8 4 |



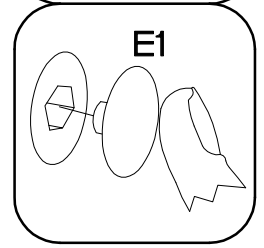
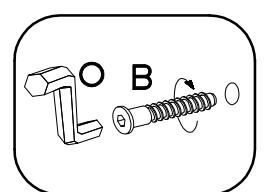
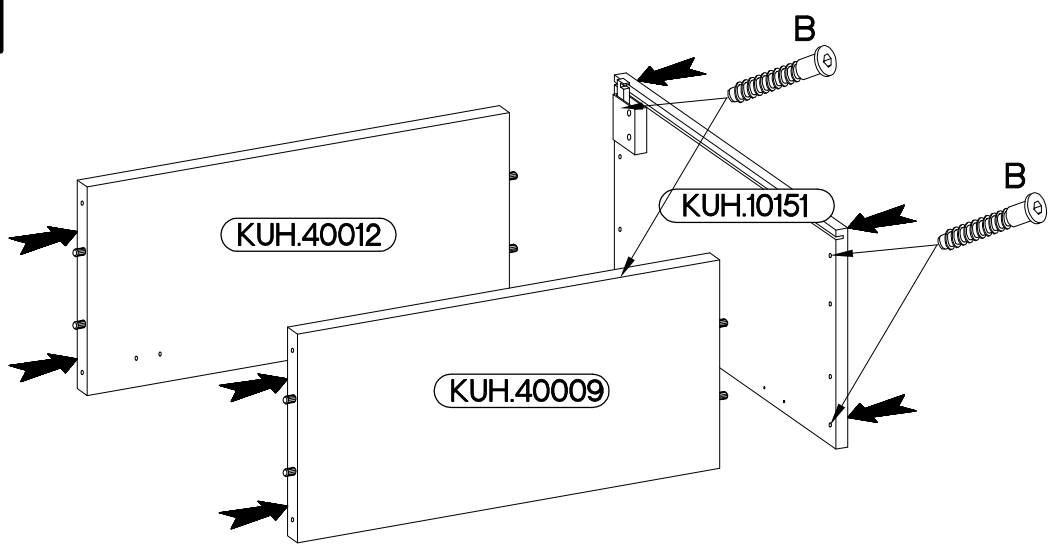
ISM-KUH-01139


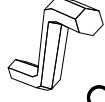

1

| | | |
|---|---|--|
| +8x30mm  | +4.0x30mm  |  |
| A | P8 | K |
| 8 | 4 | 2 |



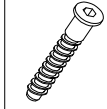
2



| | | |
|--|---|---|
| 6,4 x 50mm  |  |  |
| B | O | E1 |
| 4 | 1 | 4 |

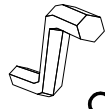
3

6,4 x 50mm



B

4



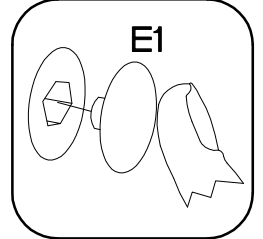
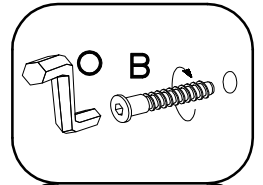
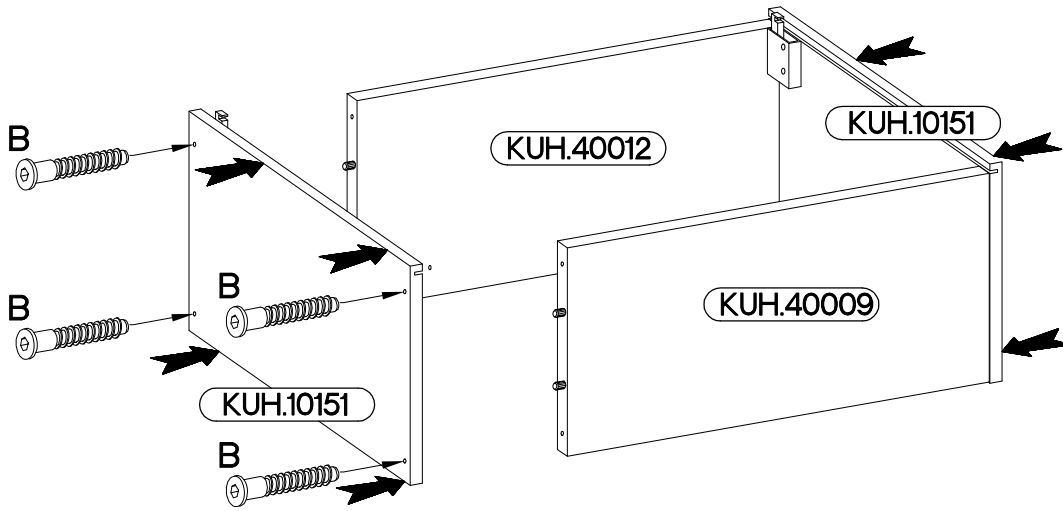
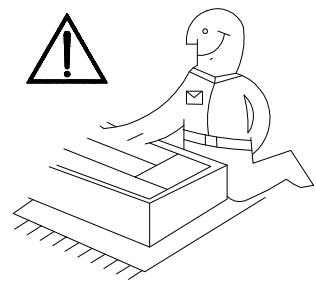
O

1



E1

4



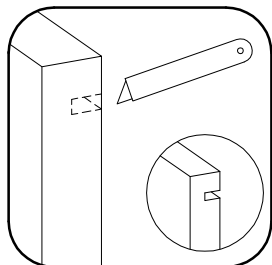
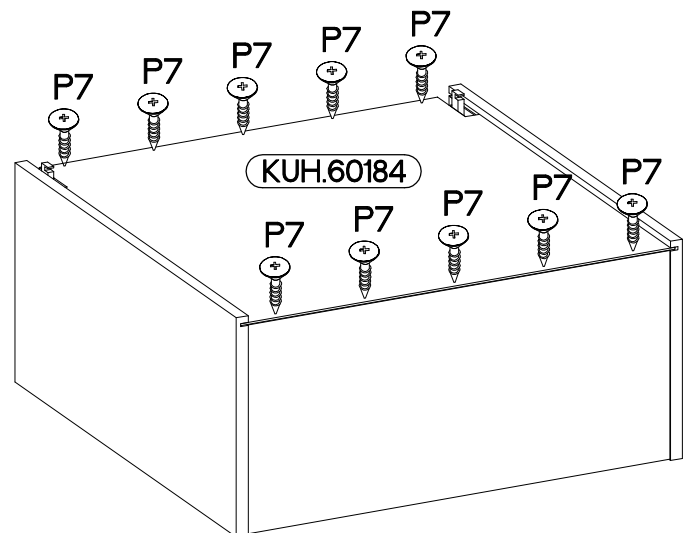
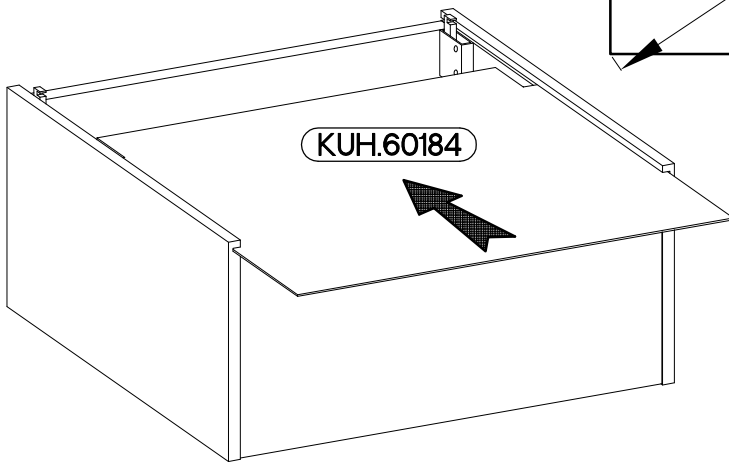
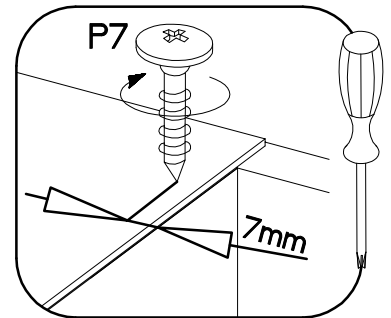
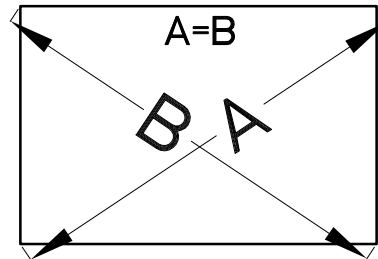
4

±3.0x20mm



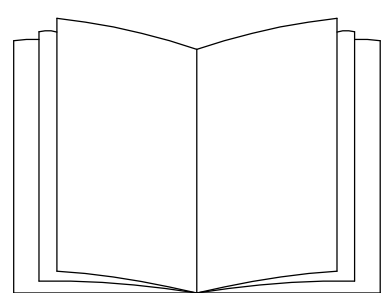
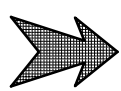
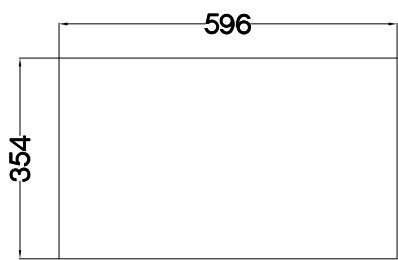
P7

8-10



5

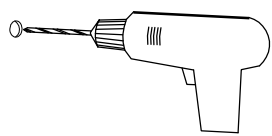
FRONT



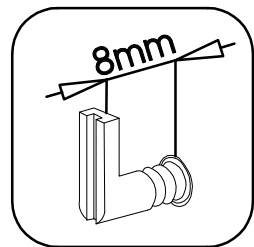
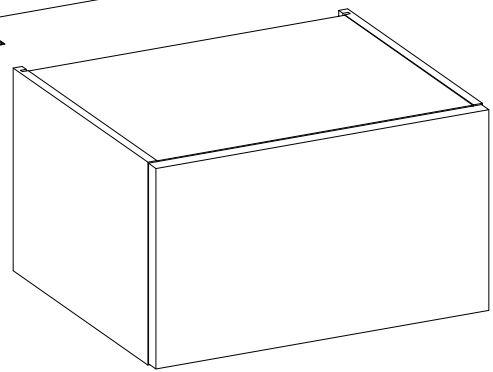
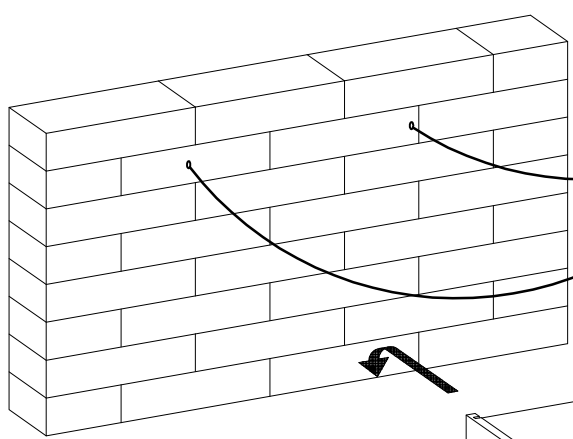
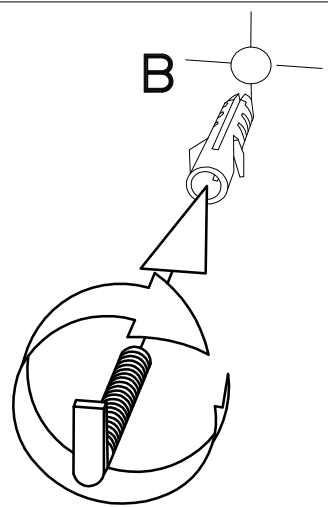
6

A

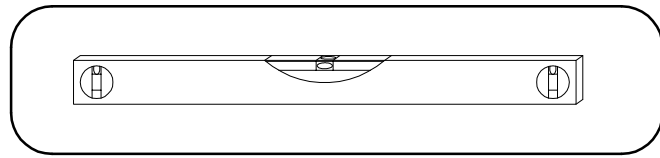
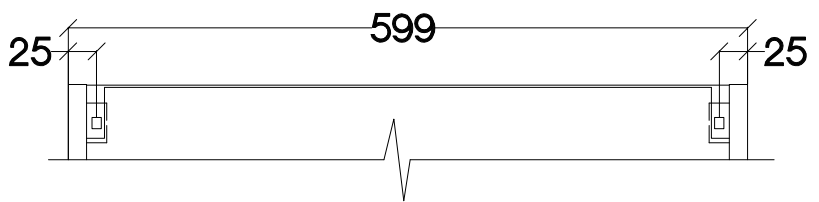
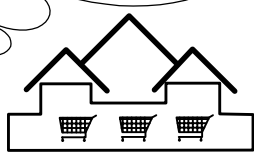
Ø10mm



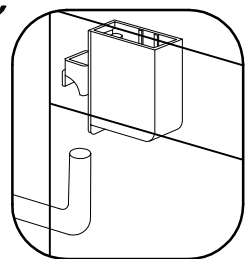
B



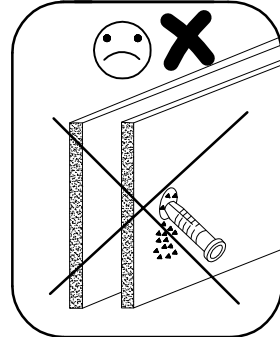
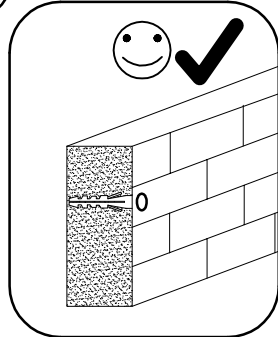
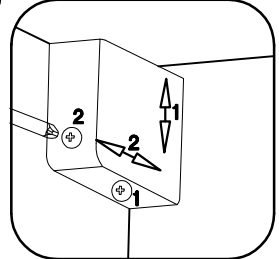
x2

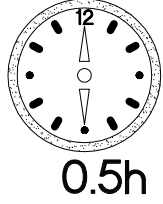
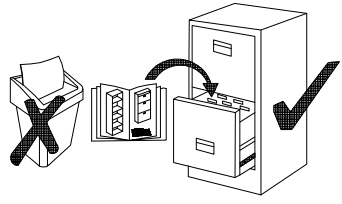
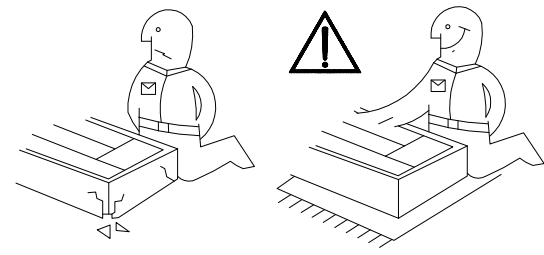
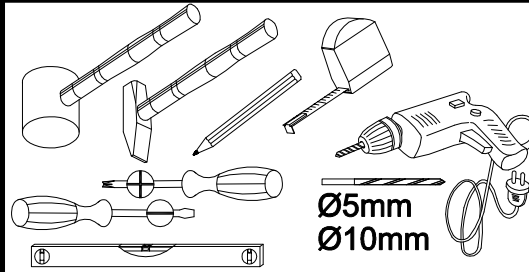
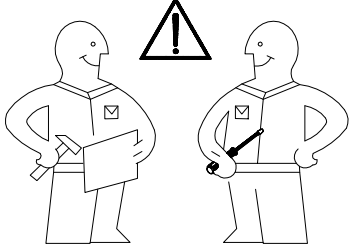


C

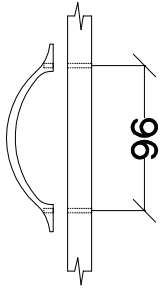
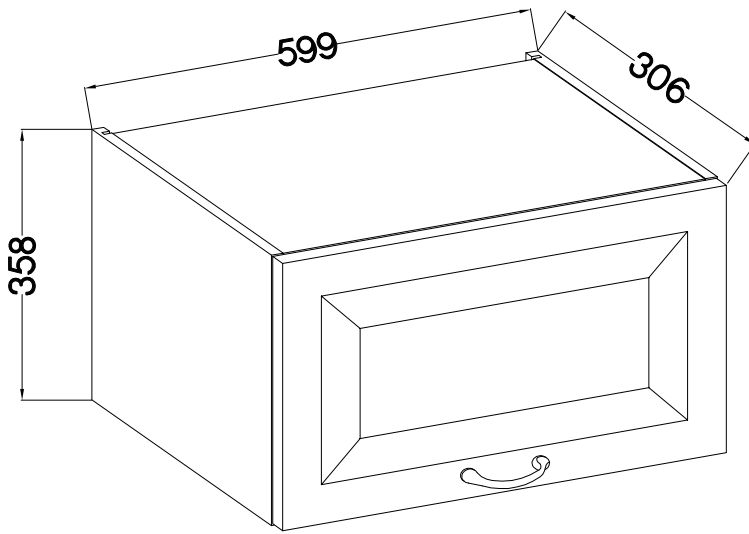
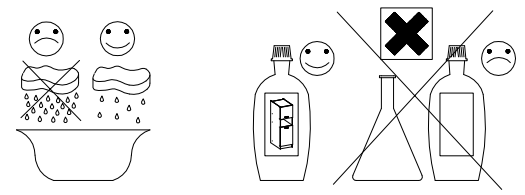


D

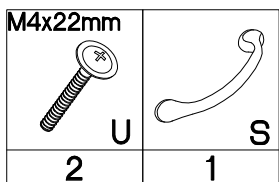




60 GU-36
FRONT

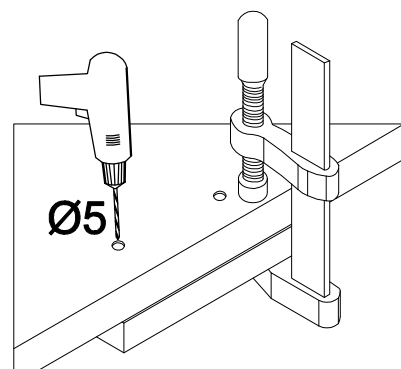
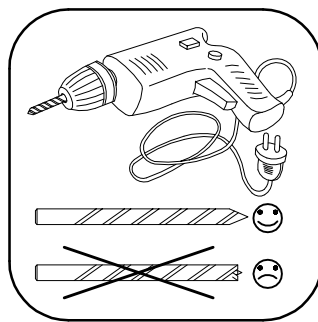
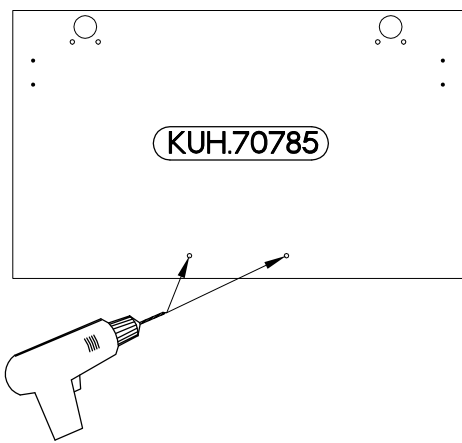


KUH.70785





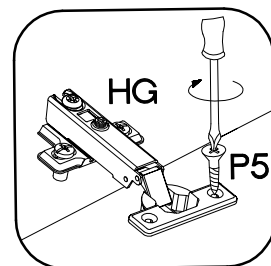
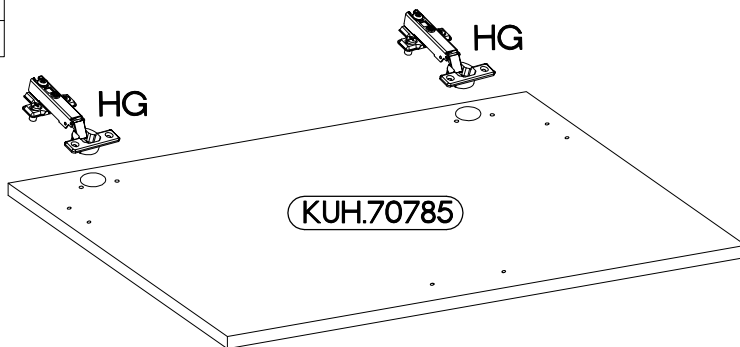
ISM-KUH-01201

1

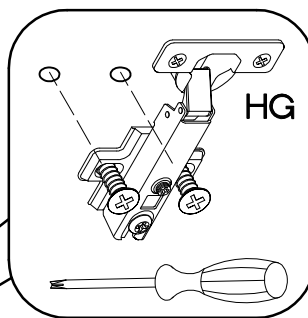
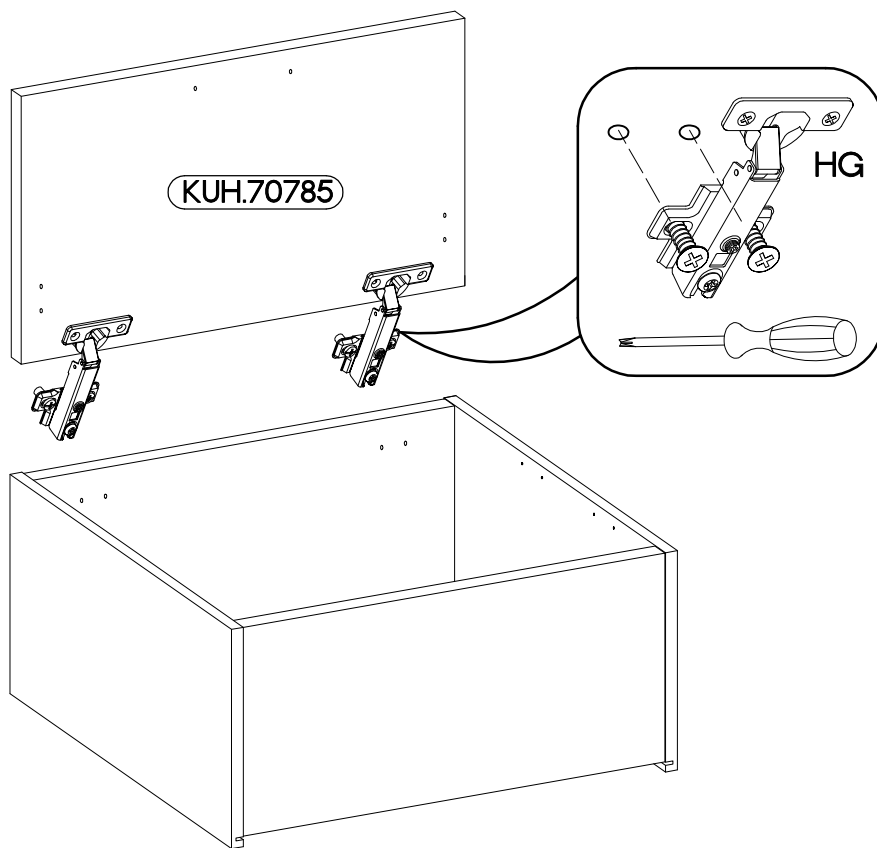


2

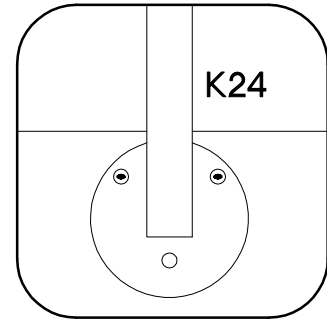
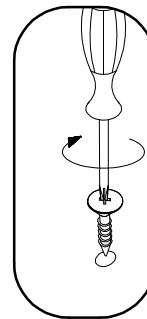
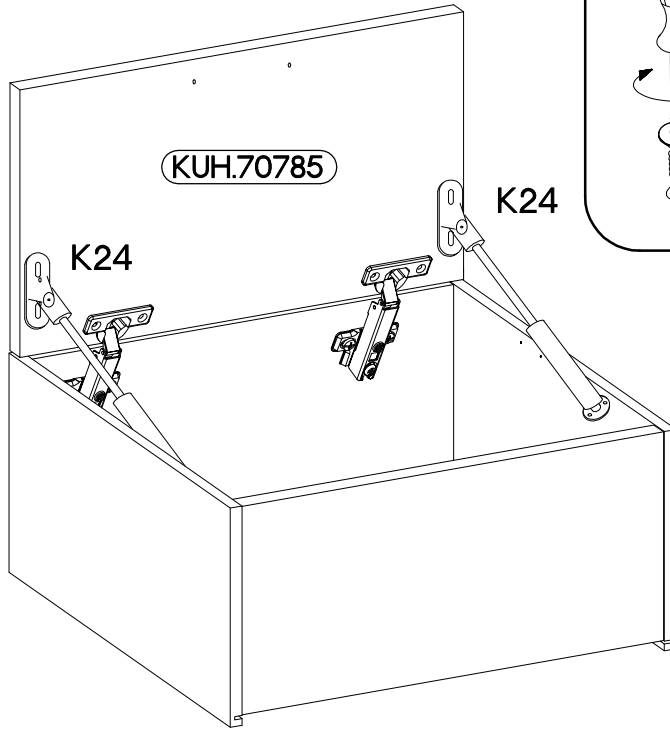
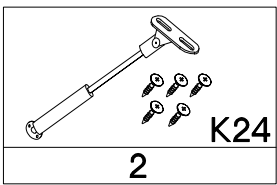
| | |
|--|--|
|  HG 2 |  P5 4 |
|--|--|



3



4



5

